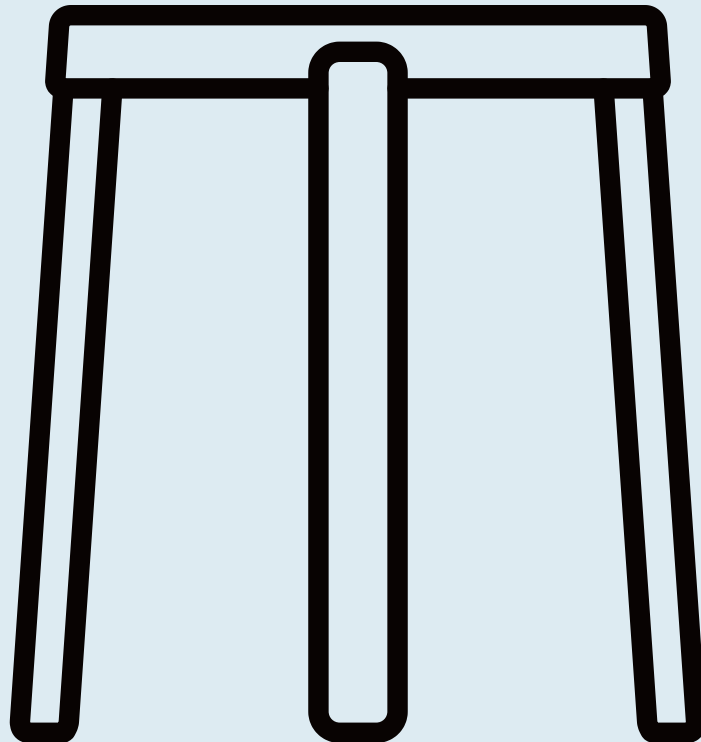
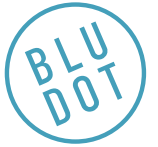


# Unit Stool

DESIGNED IN 2021

ASSEMBLY NOTES | REV 00



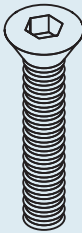
NEED A HAND?

Contact us at [service@bludot.com](mailto:service@bludot.com) or  
**844.425.8368** for assistance.

@BLUDOT

We design all our pieces in our Minneapolis studio. Follow  
along on Instagram for some sneak peeks into the process.

# Parts & Hardware



QTY 6

Pt. 1620



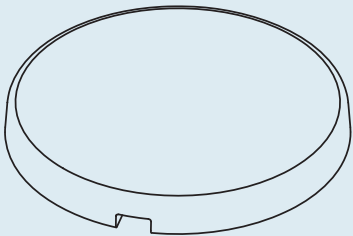
QTY 1

Pt. 9035



QTY 3

Leg



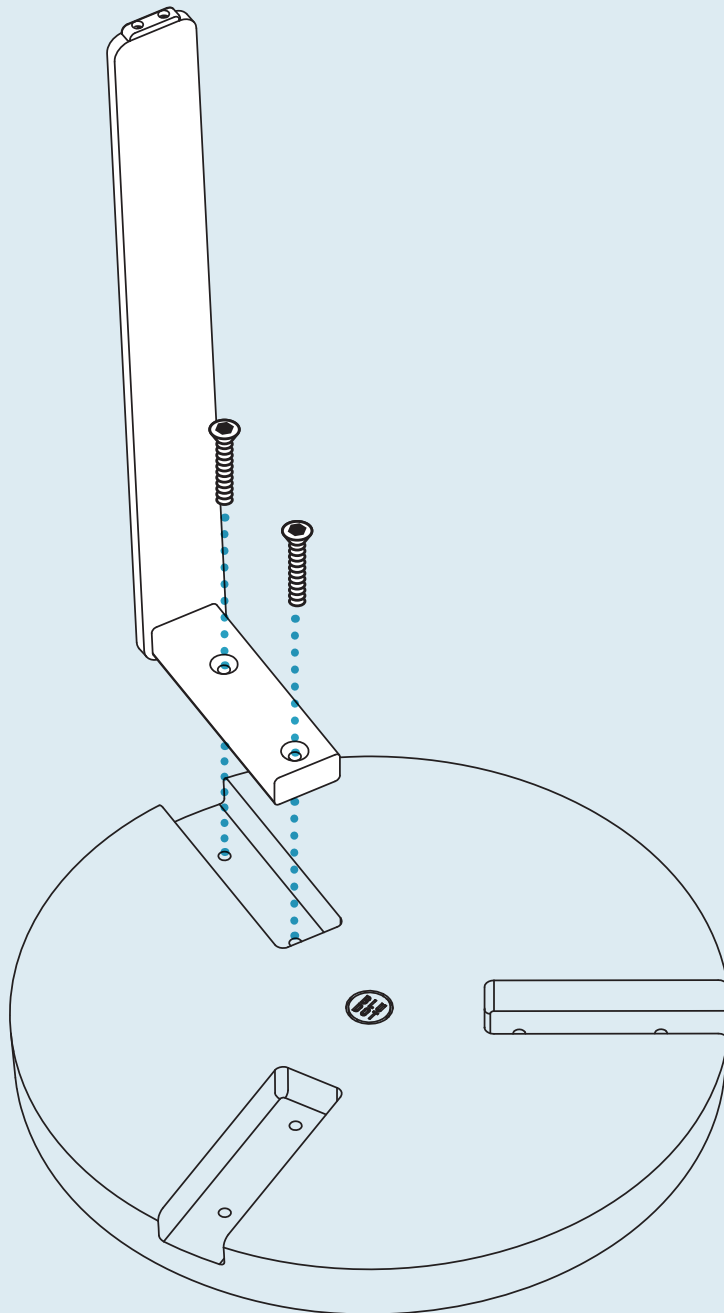
QTY 1

Seat

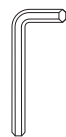
# Step 01

ATTACH THE LEGS.

Use the provided hardware to attach each leg.



PT. 1620 X 6



PT. 9035 X 1

## Additional Information

### CLEAN WOOD

Clean with a slightly damp, soft cloth. To remove dirt and fingerprints, use a quality cleaner formulated for wood furniture. Wipe completely dry with a soft cloth in the direction of the wood grain.

### CLEAN METAL

Clean with a slightly damp, soft cloth. To remove dirt and fingerprints, use a quality cleaner formulated for painted furniture. Wipe completely dry with a soft cloth.

