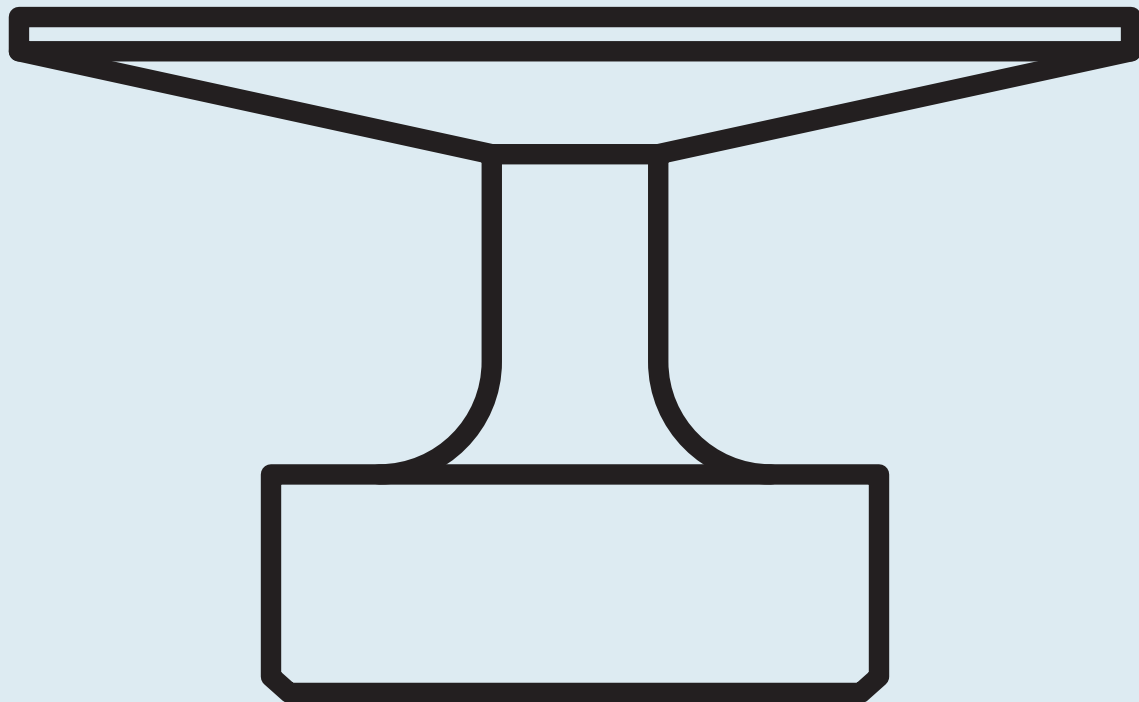
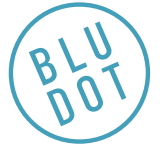


Turn Coffee Table

DESIGNED IN 2013

ASSEMBLY NOTES | REV 00



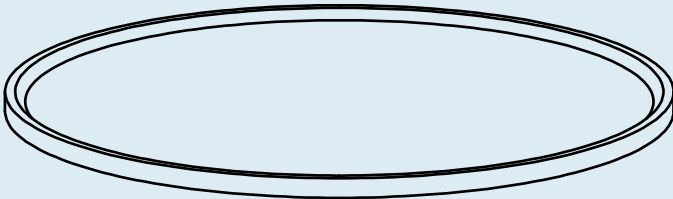
NEED A HAND?

Contact us at service@bludot.com or **844.425.8368** for assistance.

@BLUDOT

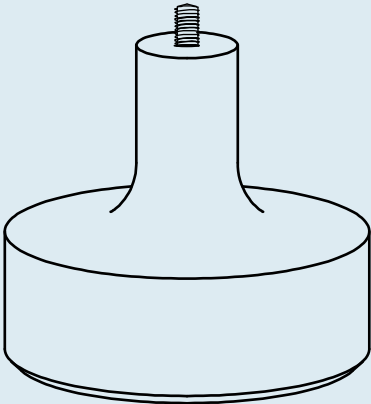
We design all our pieces in our Minneapolis studio. Follow along on Instagram for some sneak peeks into the process.

Parts & Hardware



QTY _____ 1

Top



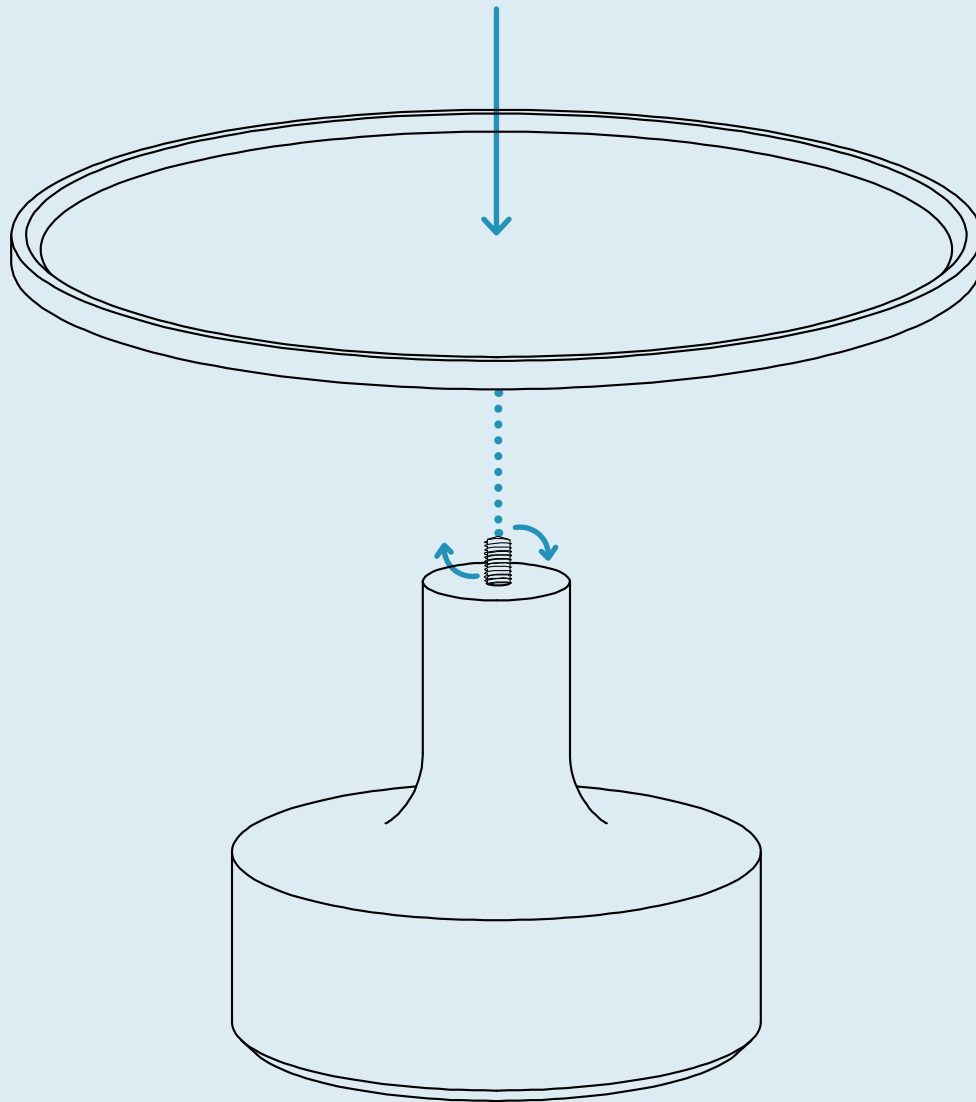
QTY _____ 1

Base

Step 01

ATTACH TOP

Attach top by aligning base bolt with corresponding threaded hole on the underside of top. Tighten clockwise.



Additional Information

CLEAN

Clean with a slightly damp, soft cloth. To remove dirt and fingerprints, use a quality cleaner formulated for wood furniture. Wipe completely dry with a soft cloth in the direction of the wood grain.

