

BLU
DOT

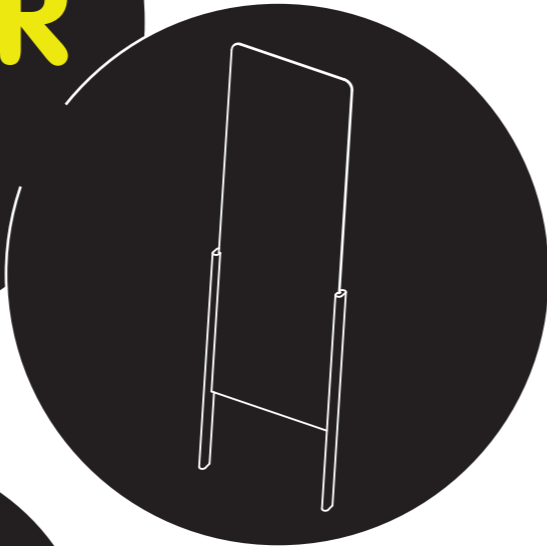
TDH MIRROR

WELL HELLO
HANDSOME!

ASSEMBLY NOTES

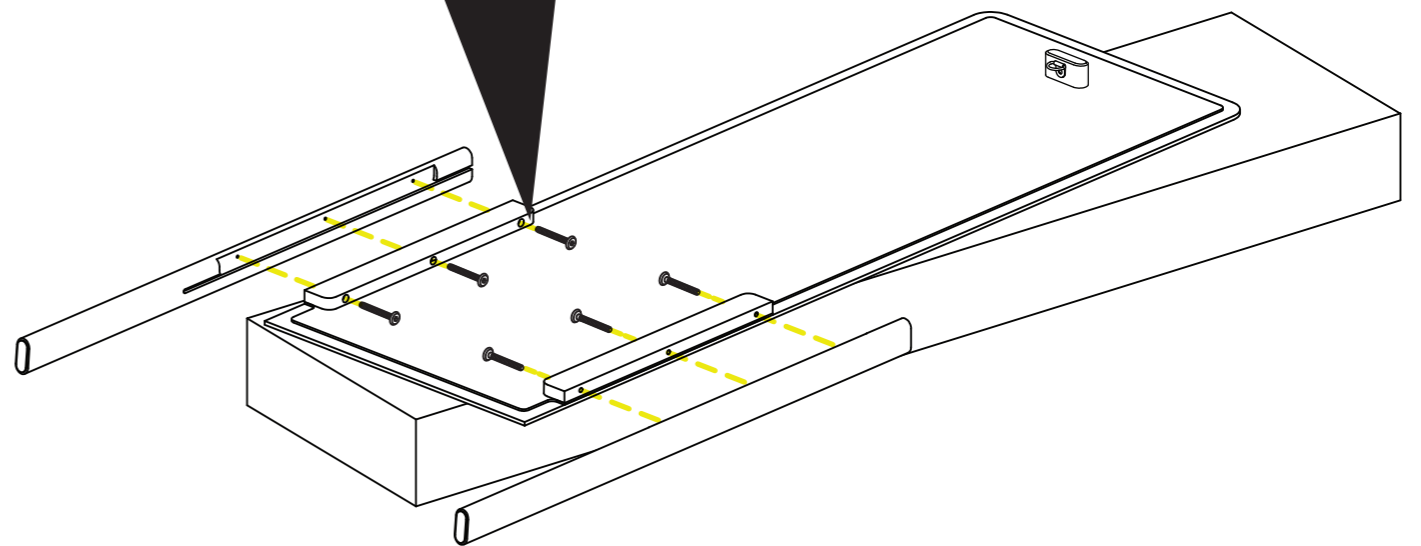
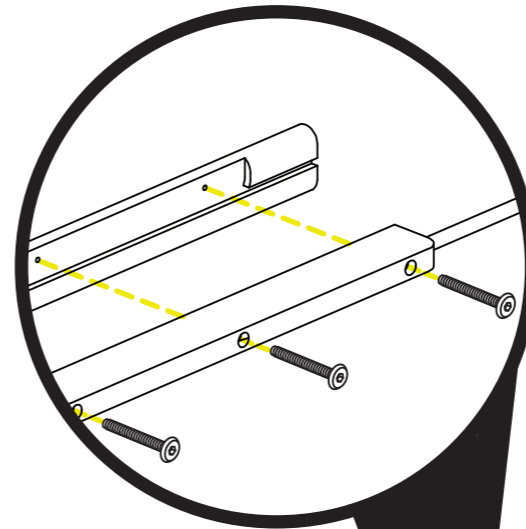
CARE

Clean with a slightly damp, soft cloth. To remove dirt and fingerprints, use a quality cleaner formulated for glass and wood surfaces. Do not use abrasive cleaners.



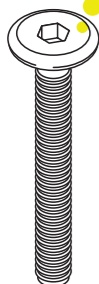
1

Attach side frames to mirror as shown using provided hardware. To aid in assembly, use the shipping carton as a work surface.

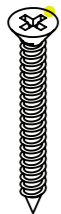


PARTS & HARDWARE

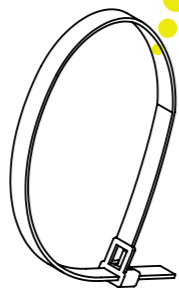
x6
1067



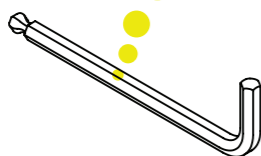
x2
1218



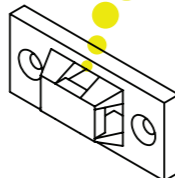
x1
8042



x1
9016



x1
8041

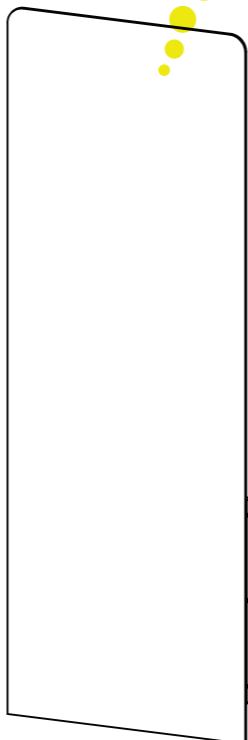


x2



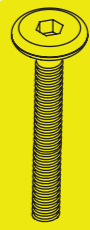
SIDE FRAME

x1



MIRROR

x6
1067



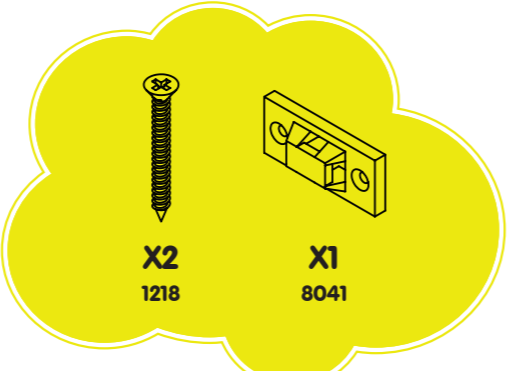
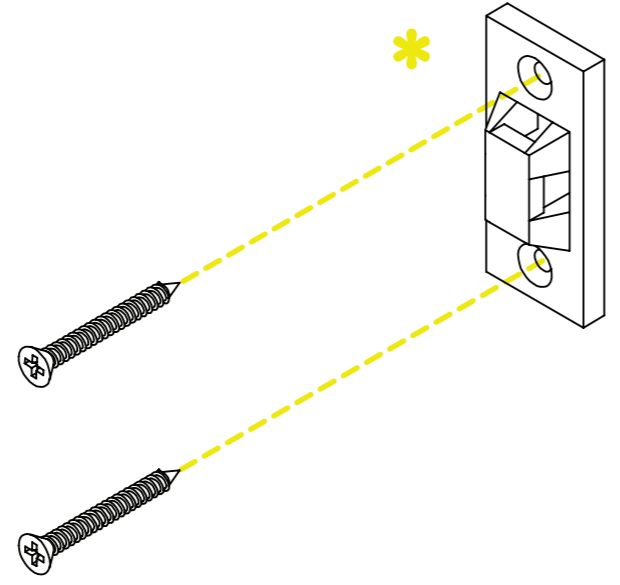
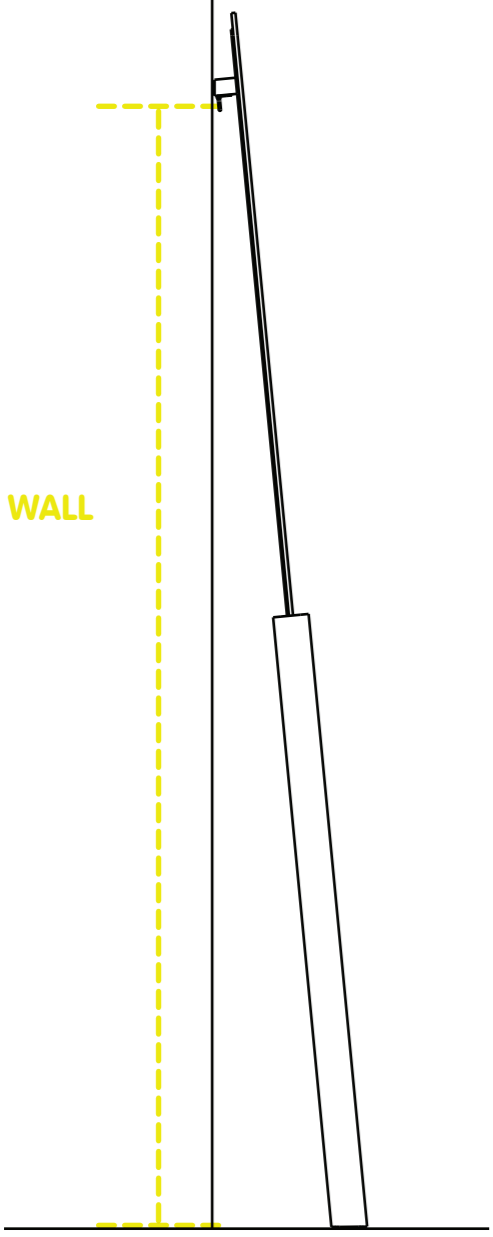
x1
9016



2

* Measure pre-attached ring height from floor, anti-tip bracket should be installed 1" below pre-attached ring. Install bracket to wall stud as shown with recommended hardware.

THOUGH FASTENERS ARE PROVIDED, CONSULT YOUR LOCAL HARDWARE PROFESSIONAL TO DETERMINE THE HARDWARE BEST SUITED FOR YOUR TYPE OF WALL.



3

Install anti-tip strap as shown. Be sure to tighten strap before using product.

