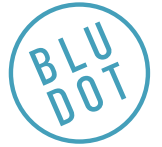
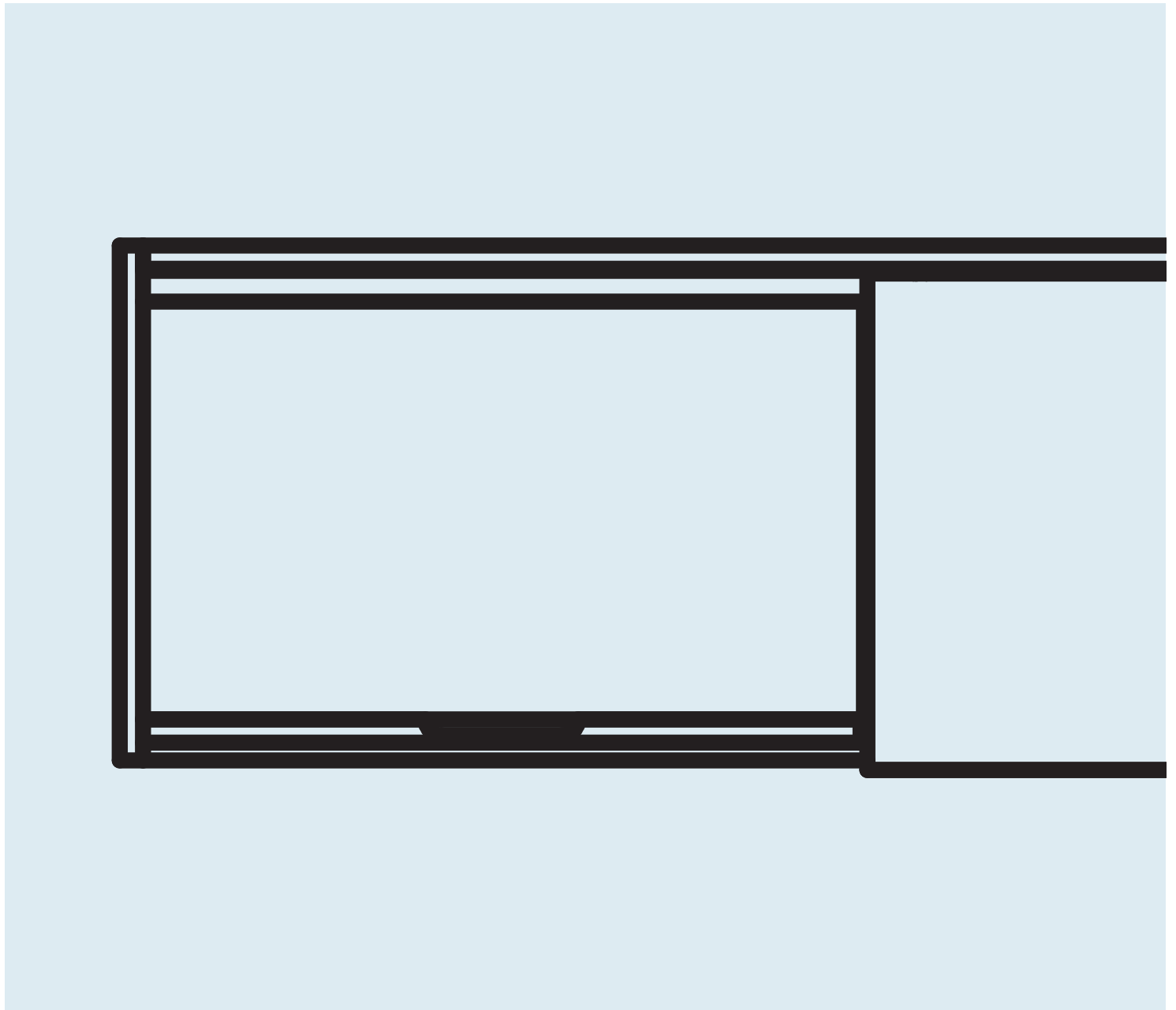


Swish Console Desk



DESIGNED IN 2014

ASSEMBLY NOTES | REV 00



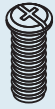
JE NE SAIS QUOI.

We don't know exactly what it is, but it is whatever you need it to be.
Sliding top to conceal or reveal more work space. Pencil and/or junk drawer.

NEED A HAND?

Contact us at service@bludot.com or
844.425.8368 for assistance.

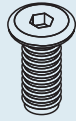
Parts & Hardware



QTY

2

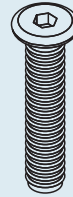
Pt. 1065



QTY

8

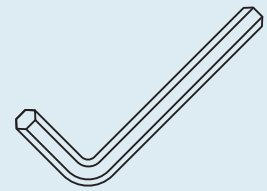
Pt. 1063



QTY

4

Pt. 1064



QTY

1

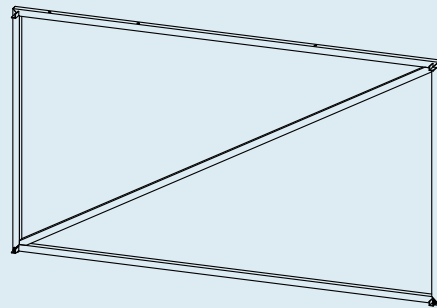
Pt. 9002



QTY

1

Frame Support



QTY

1

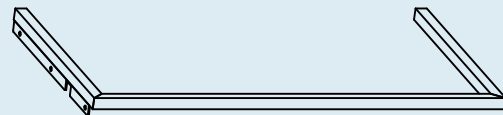
Back Frame



QTY

1

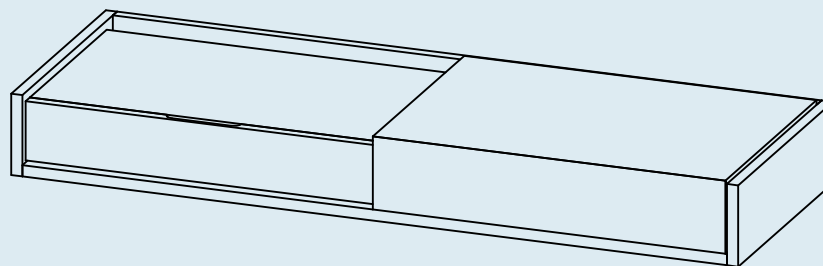
Left Side Frame



QTY

1

Right Side Frame



QTY

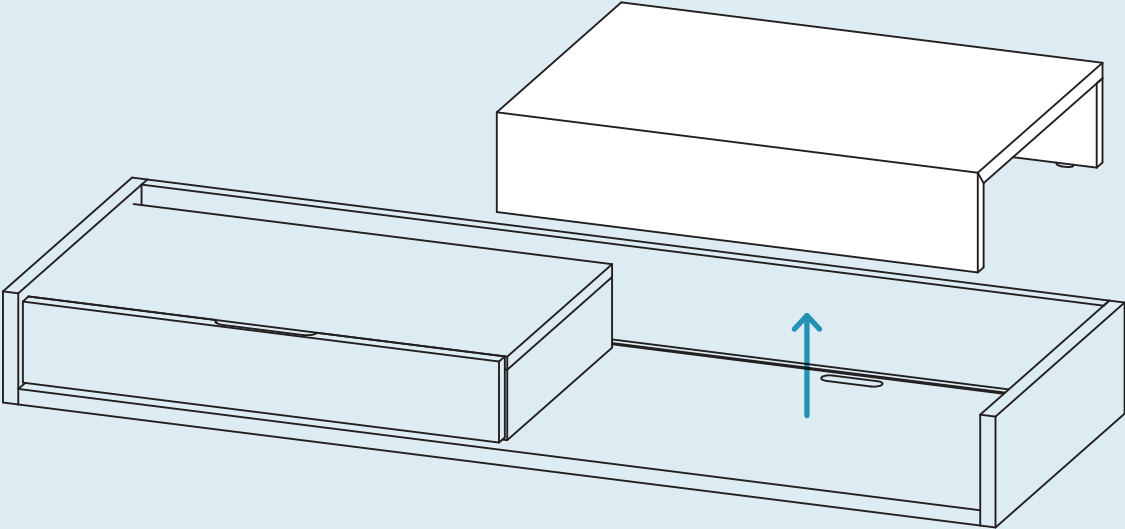
1

Case

Step 01

REMOVE TOP SLIDER BEFORE ASSEMBLY.

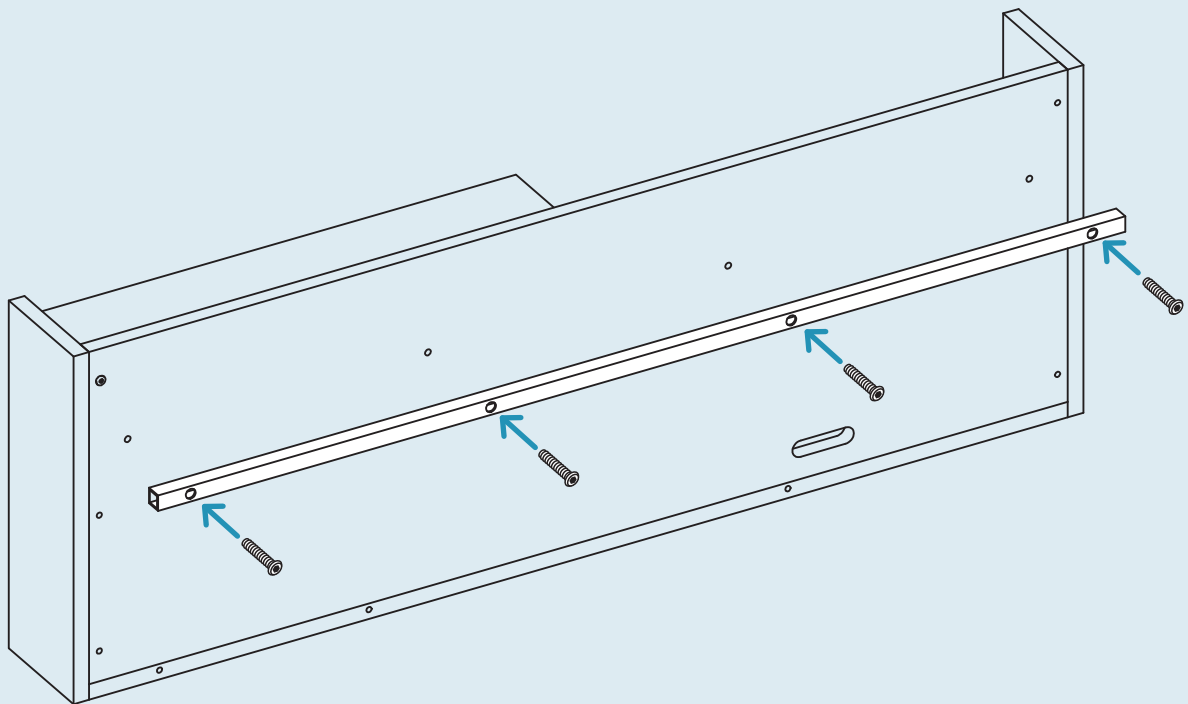
Remove sliding top frame prior to assembly to prevent damage.



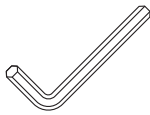
Step 02

ATTACHING THE FRAME SUPPORT.

Attach the frame support rail to the bottom face of the case as shown using the provided hardware.



PT. 1064 x 4

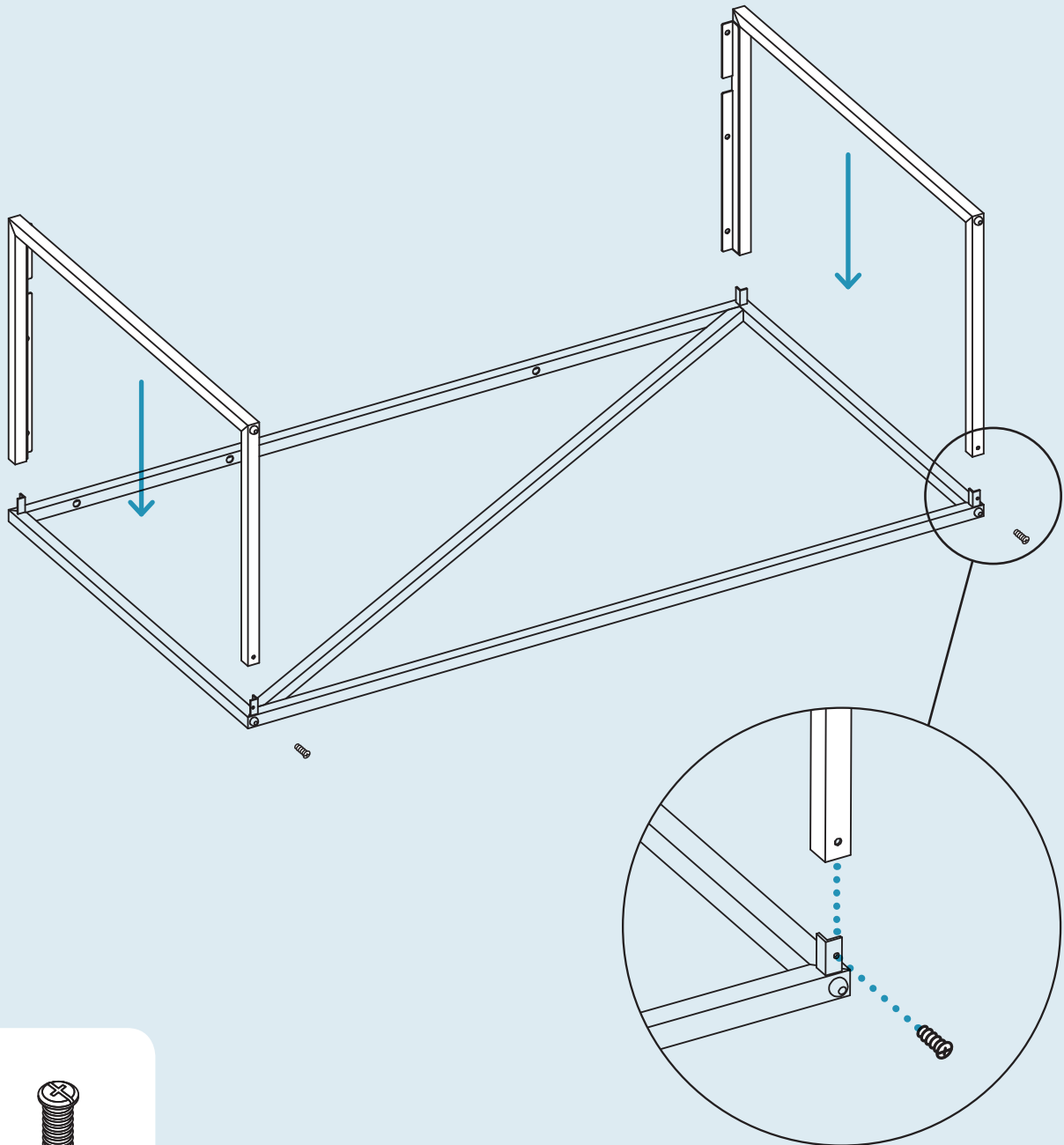


PT. 9002 x 1

Step 03

ASSEMBLING THE BASE FRAME.

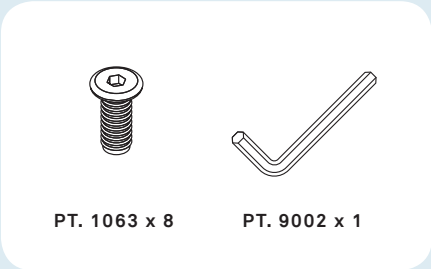
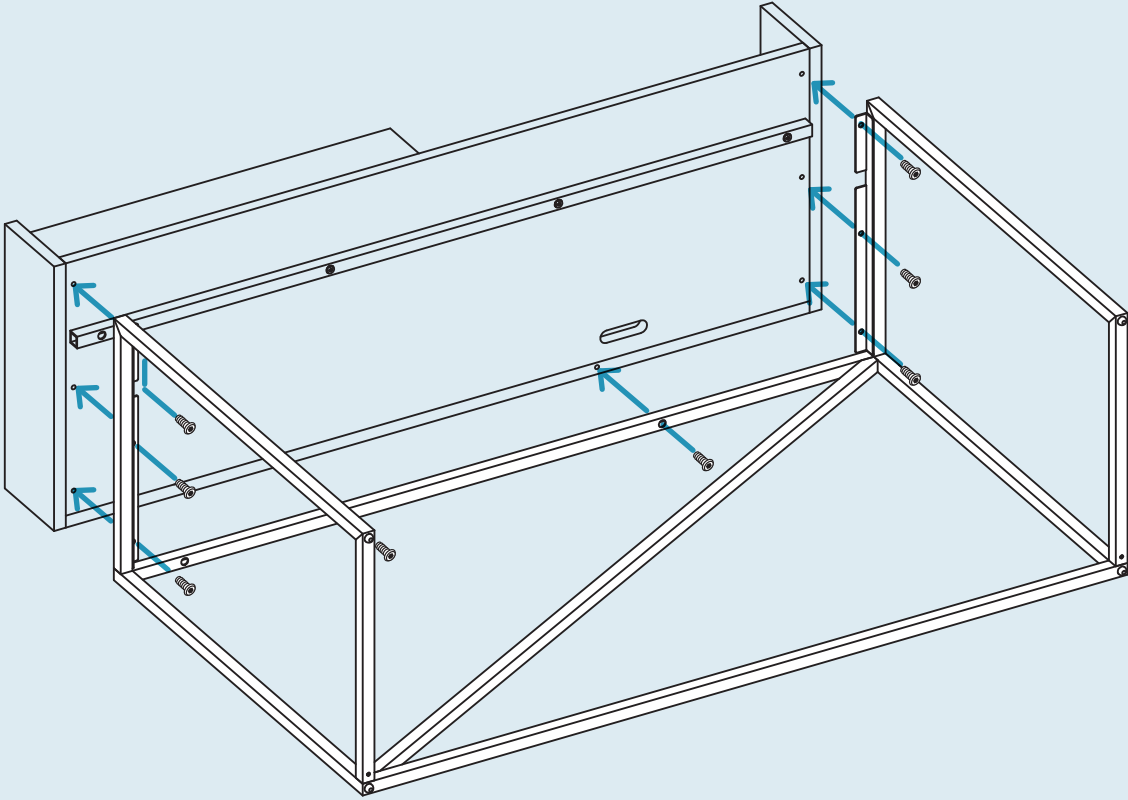
Assemble the base frame as shown using the provided hardware.



Step 04

ATTACHING THE BASE FRAME.

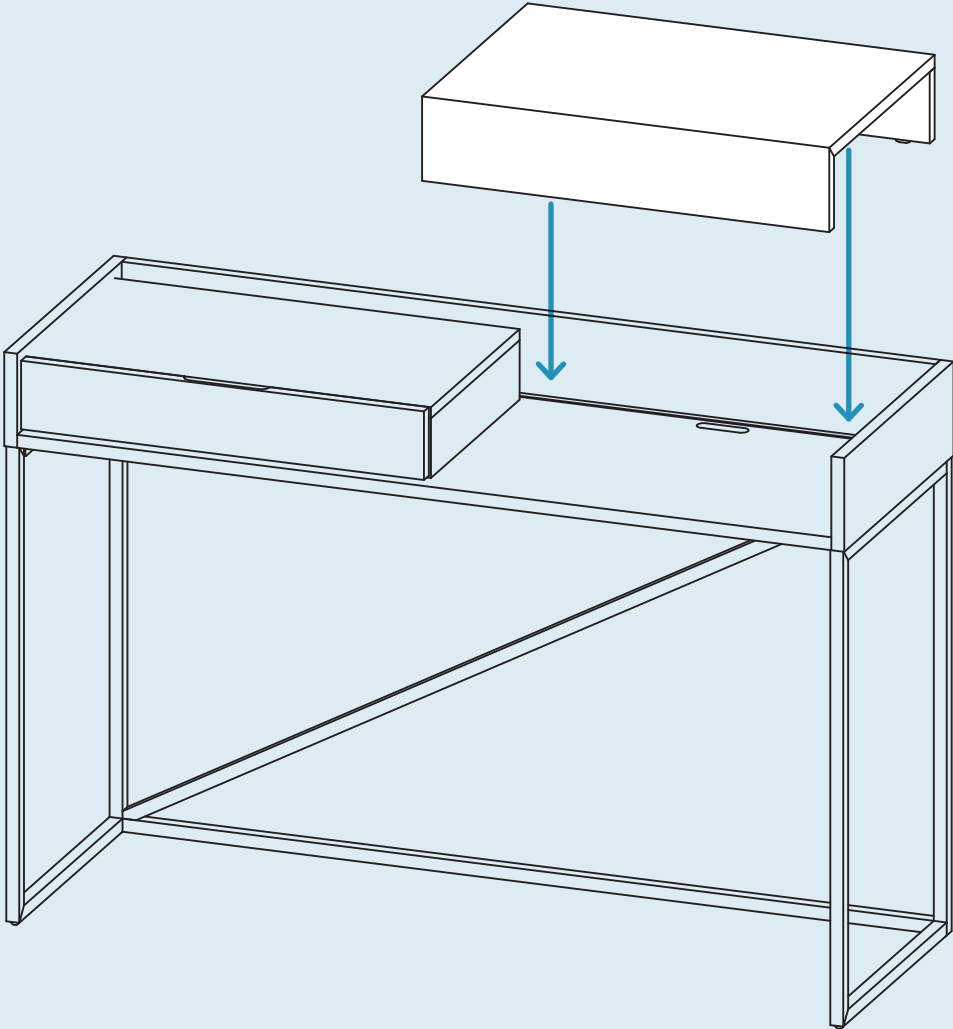
Attach the base frame to the case as shown using the provided hardware.



Step 05

PLACING THE TOP SLIDER.

Align the shift wheels with the track at the back of the table top. Gently lower into place.



Additional Information

CLEAN

Clean with a slightly damp, soft cloth. To remove dirt and fingerprints, use a quality cleaner formulate for wood furniture. Wipe completely dry with a soft cloth in the direction of the wood grain.

