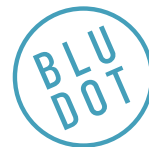
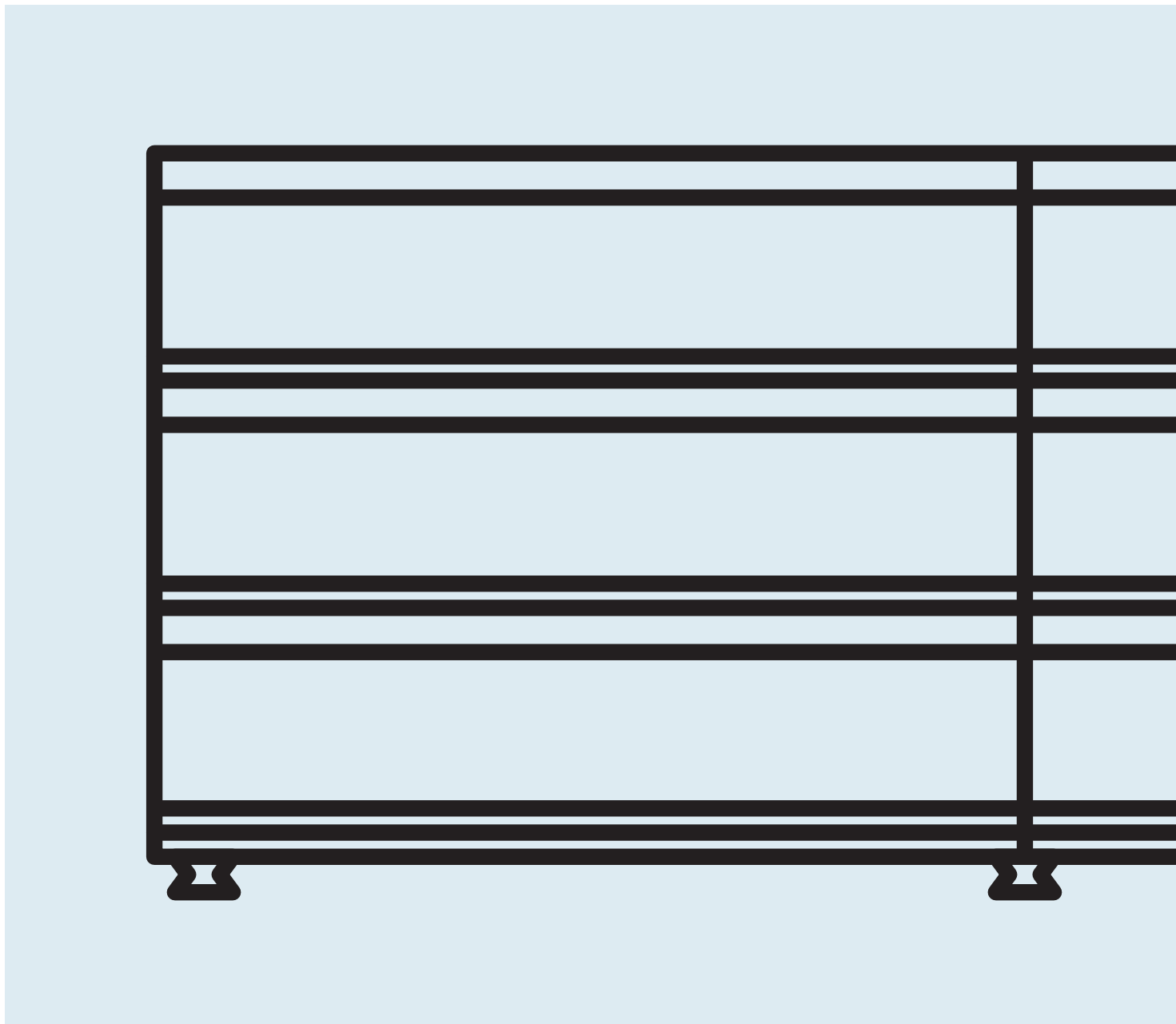


Superchoice Collection



DESIGNED IN 2017

ASSEMBLY NOTES | REV 02



CONTOUR DU JOUR.

Uncomplicated storage for messy times. Beveled relief drawer pulls are set off by a matte painted finish.

NEED A HAND?

Contact us at service@bludot.com or **844.425.8368** for assistance.

Parts & Hardware

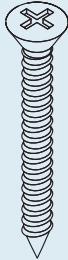


QTY

4

QTY

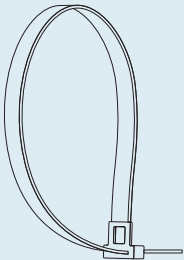
PT. 1220



4

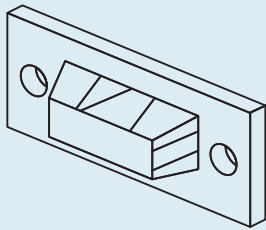
QTY

PT. 1221



2

PT. 8042

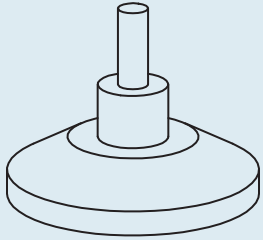


QTY

4

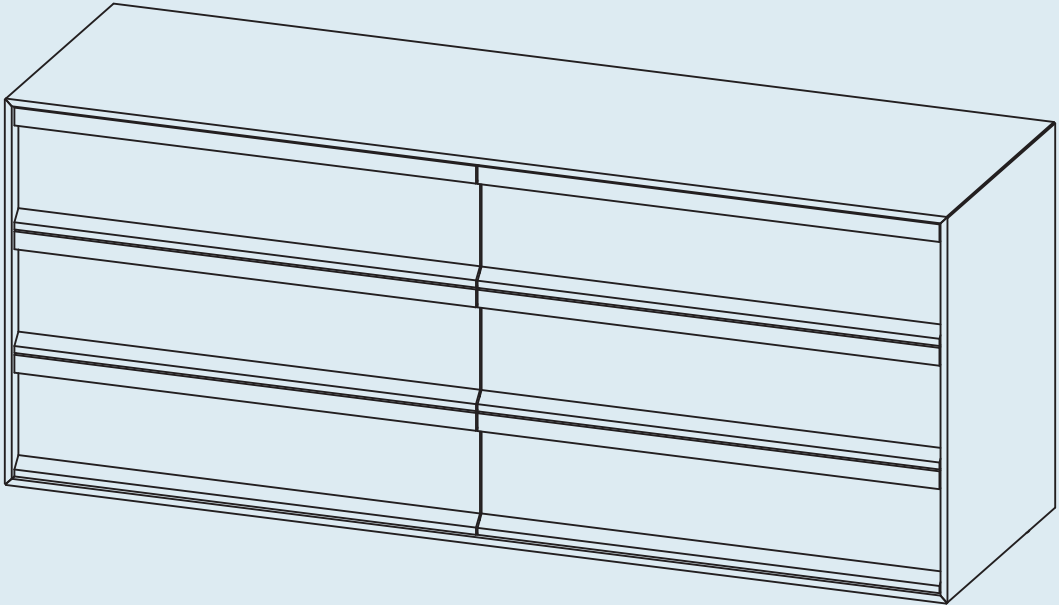
QTY

PT. 8041



6

Foot



QTY

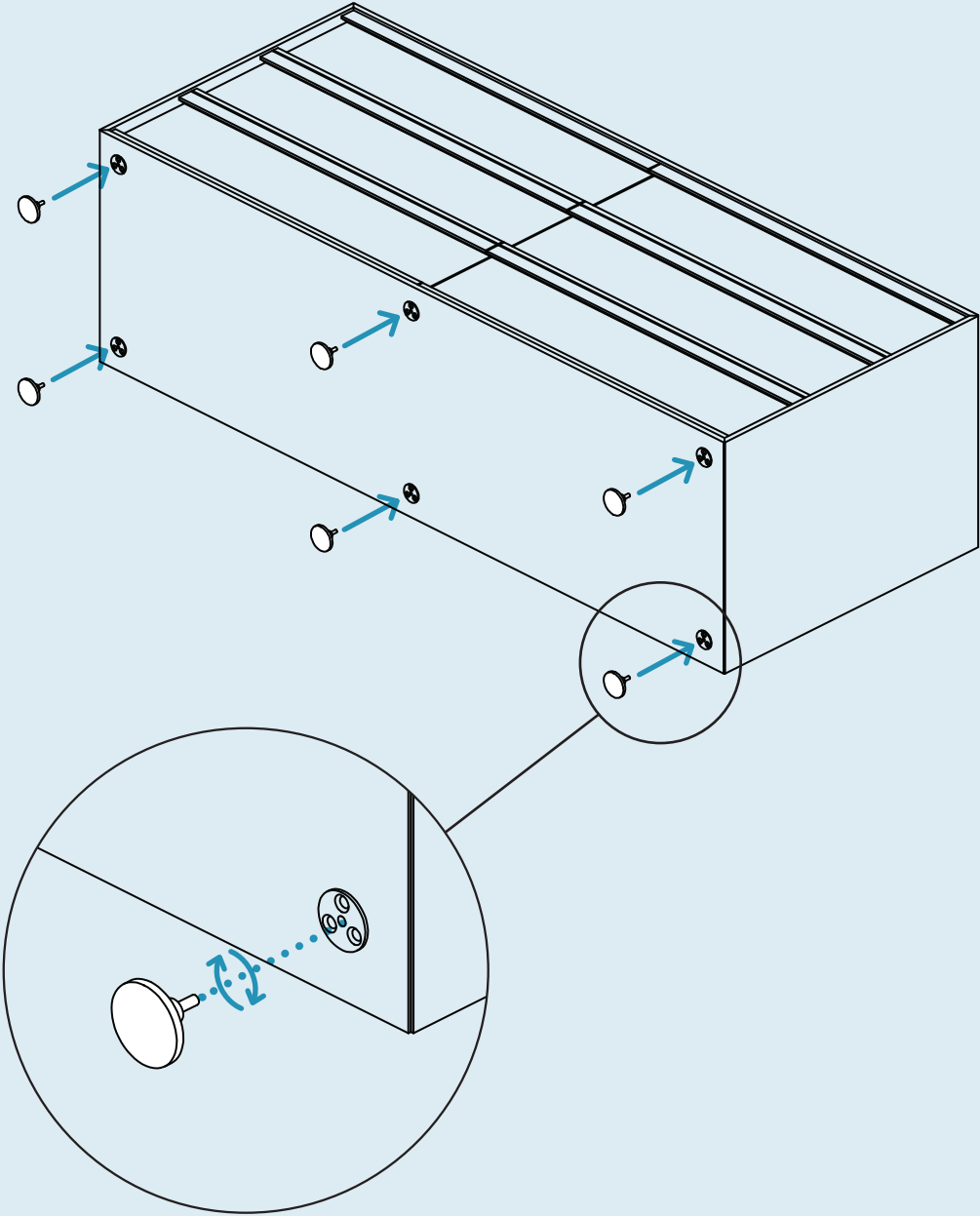
1

Case

Step 01

ATTACH THE FEET.

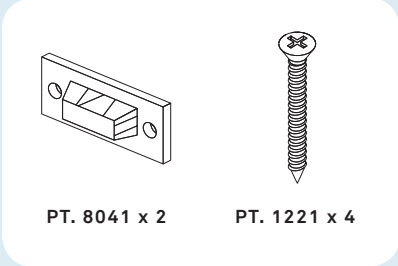
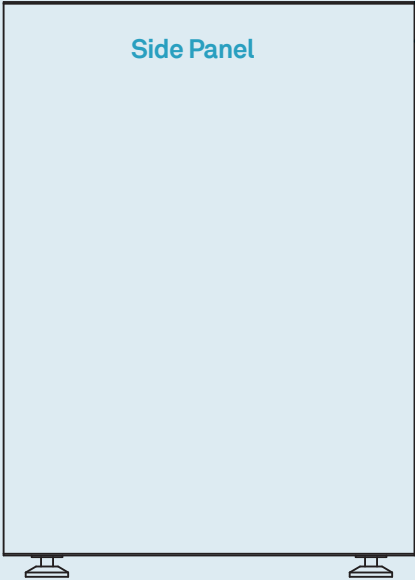
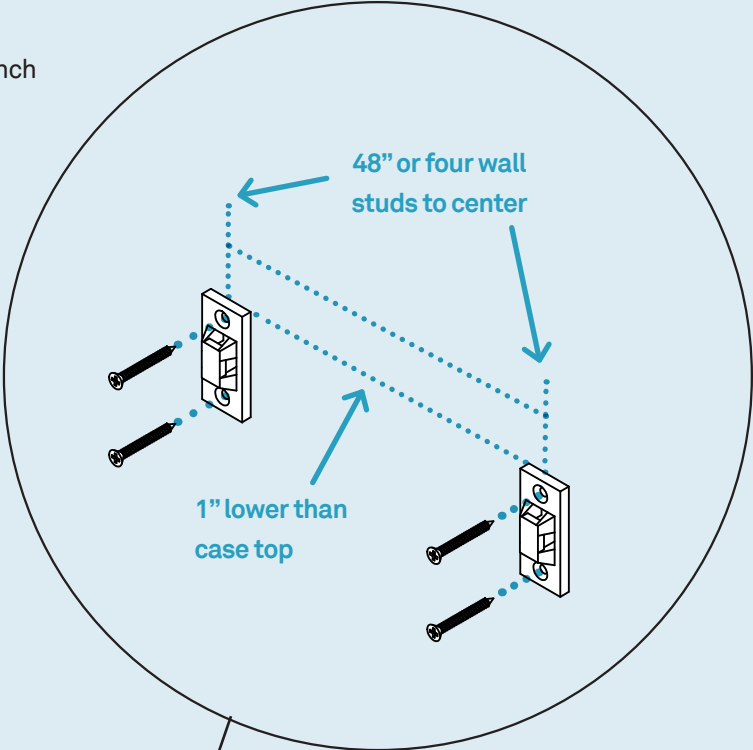
Attach adjustable feet as shown. After the legs have been attached have a second person help lift and bring the case upright to prevent leg damage.



Step 02

ATTACH ANTI-TIP BRACKETS TO THE WALL.

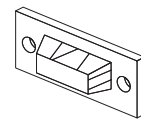
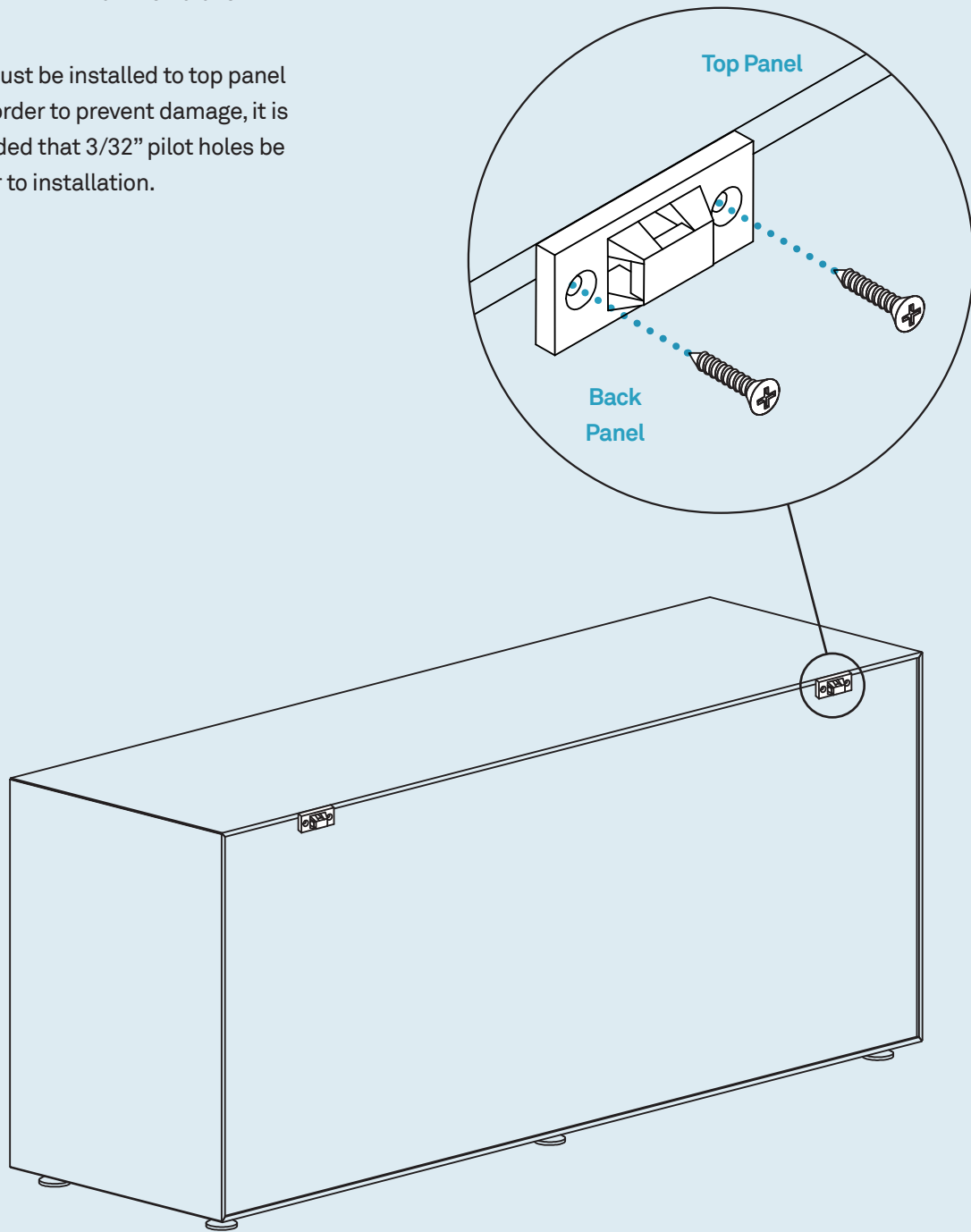
Install anti-tip brackets to wall stud 1-inch below case top panel height.



Step 03

INSTALL ANTI-TIP BRACKETS TO CASE.

Brackets must be installed to top panel of case. In order to prevent damage, it is recommended that 3/32" pilot holes be drilled prior to installation.



PT. 8041 x 2

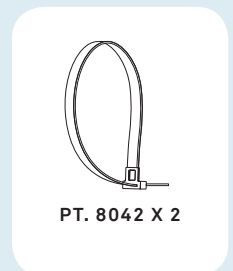
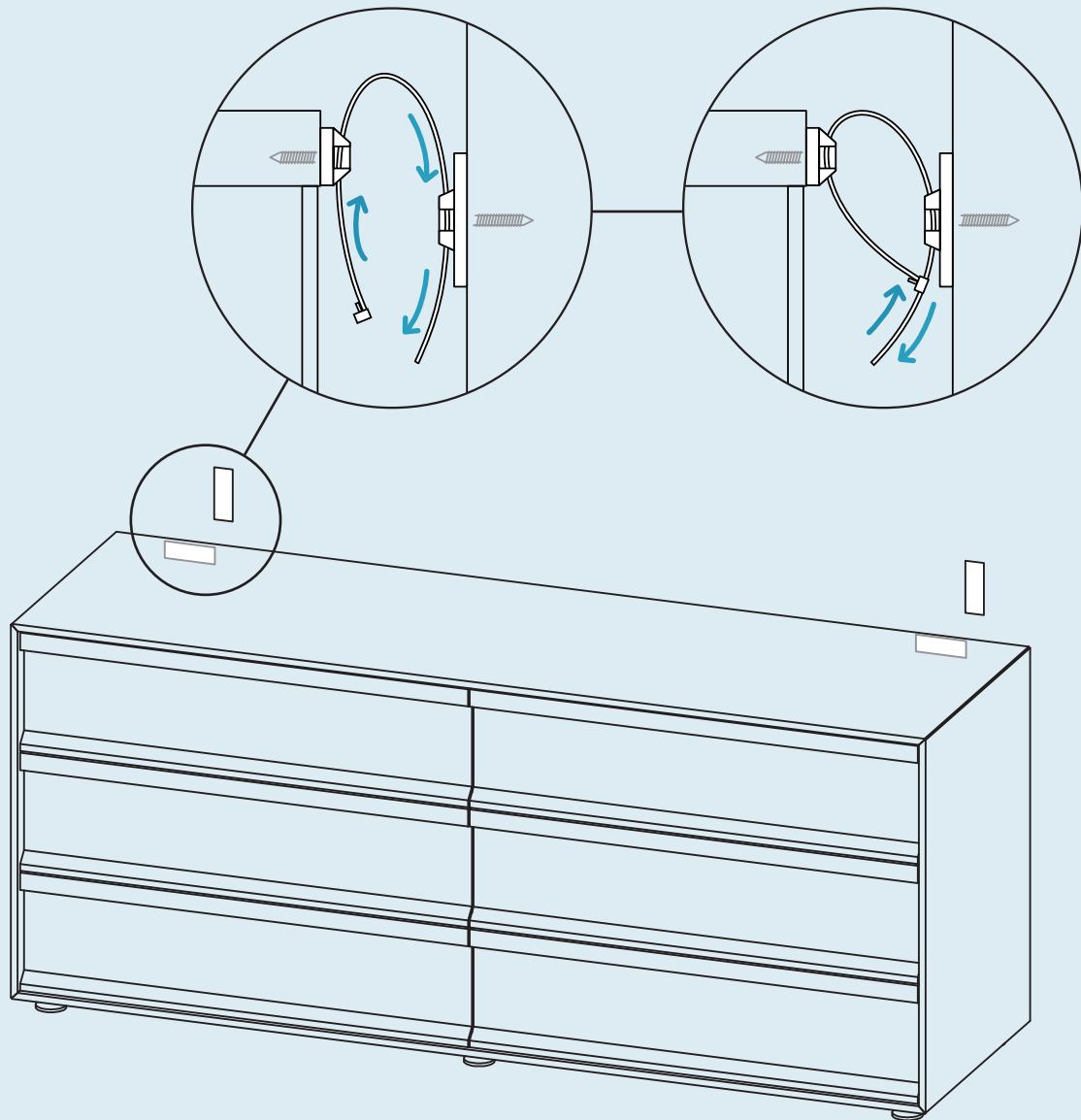


PT. 1220 x 4

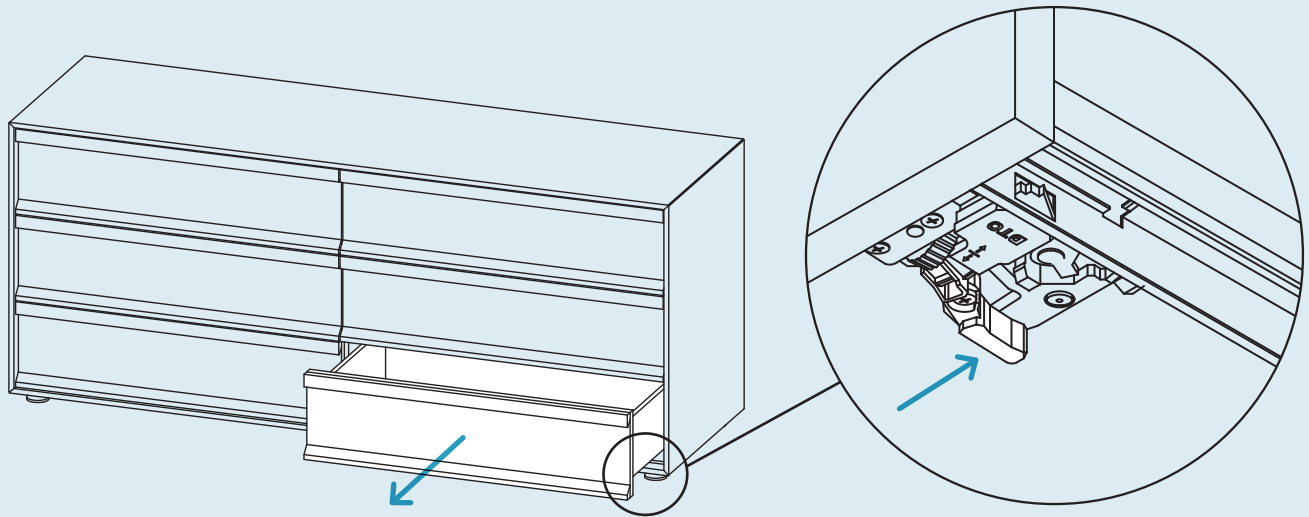
Step 04

SECURE THE CASE.

Install and tighten the straps prior to using the product.

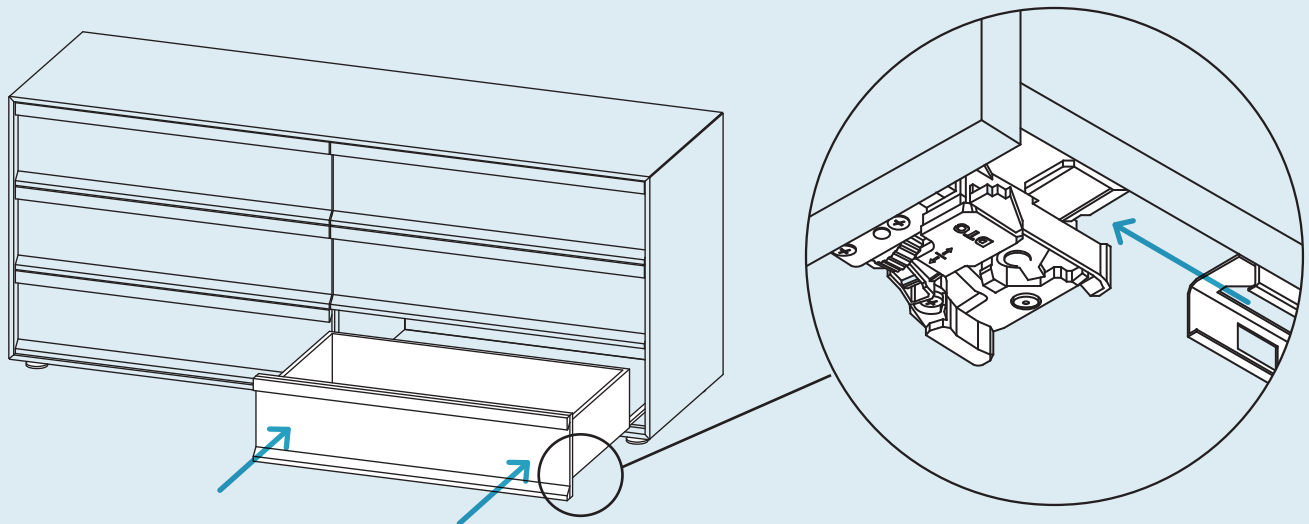


Additional Information



TO REMOVE DRAWERS.

Extend the drawer completely. Squeeze both locks on the underside of the drawer while pulling the drawer out.



TO REINSTALL THE DRAWER.

Lower drawer front into place and push closed.

Additional Information

CLEAN

Clean with a slightly damp, soft cloth. To remove dirt and fingerprints, use a quality cleaner formulate for wood furniture. Wipe completely dry with a soft cloth in the direction of the wood grain.

