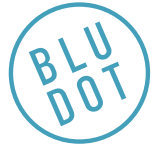
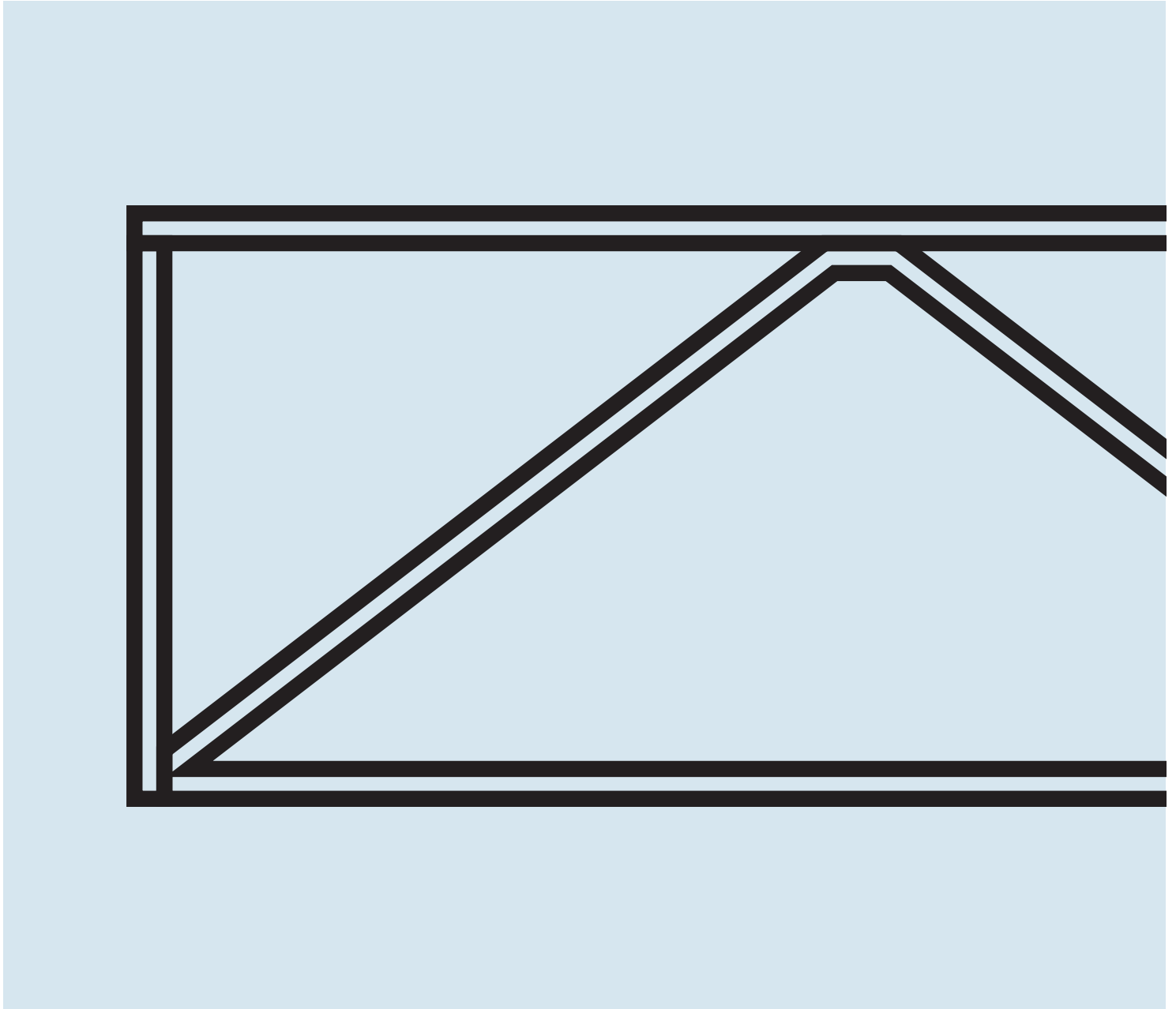


Strut Outdoor Table



DESIGNED IN 2005

ASSEMBLY NOTES | REV 03



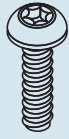
GET OUT.

Structure and design are one with the Strut.
A proud stance for any gathering.

NEED A HAND?

Contact us at service@bludot.com or
844.425.8368 for assistance.

Parts & Hardware

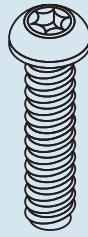


QTY

8

QTY

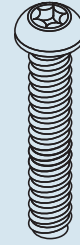
PT. 1048



2

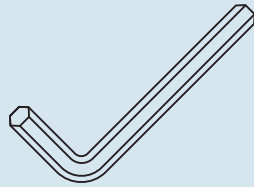
QTY

PT. 1094



2

PT. 1095

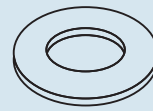


QTY

1

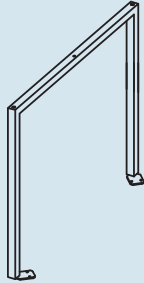
QTY

PT. 9004



12

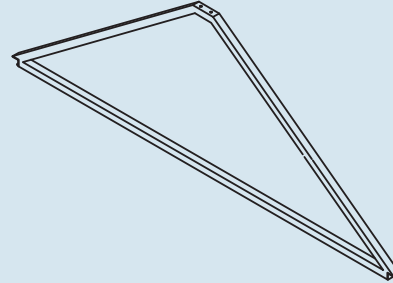
PT. 3002



QTY

2

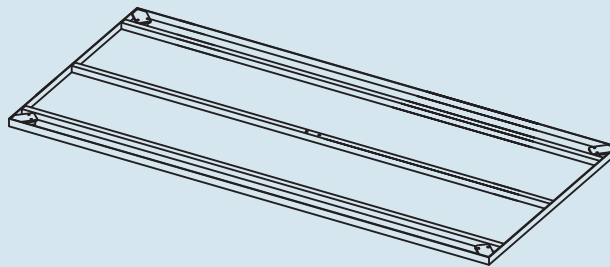
Leg Frame



QTY

1

Strut Support



QTY

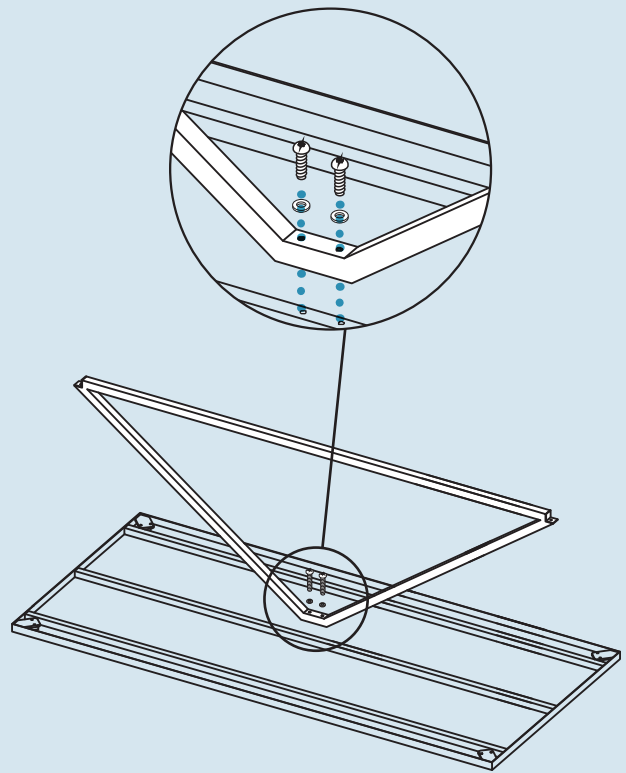
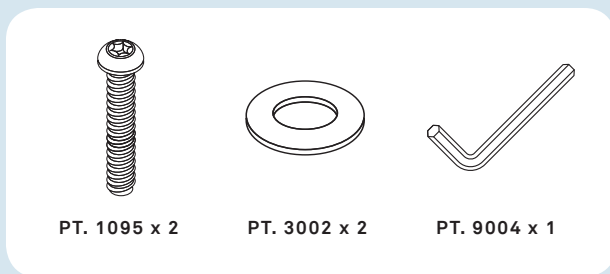
1

Top

Step 01

ATTACHING THE CENTER SUPPORT.

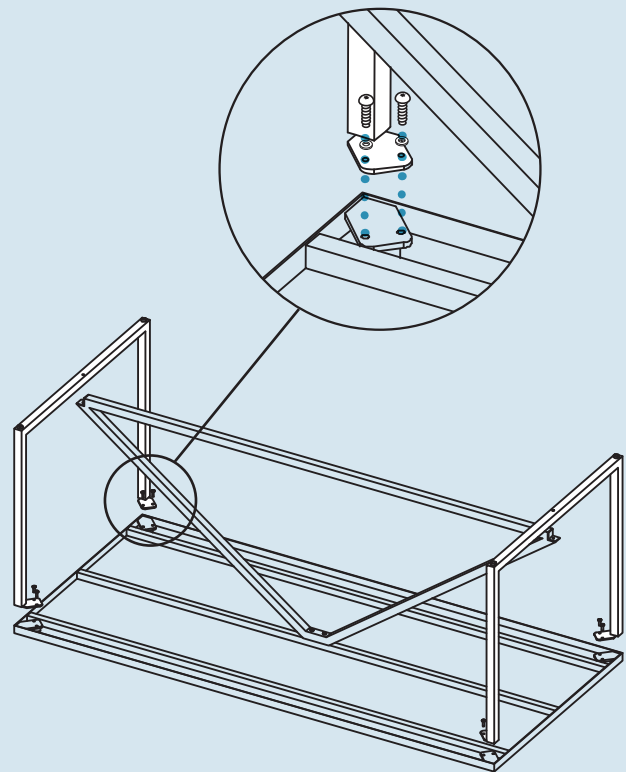
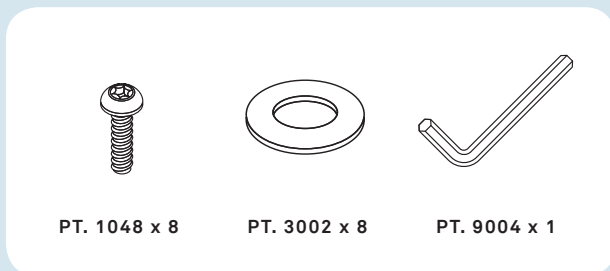
Place the top face of the top panel on a soft surface. Attach the center strut support as shown using the provided hardware.



Step 02

ATTACHING THE LEG FRAMES.

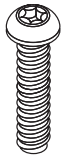
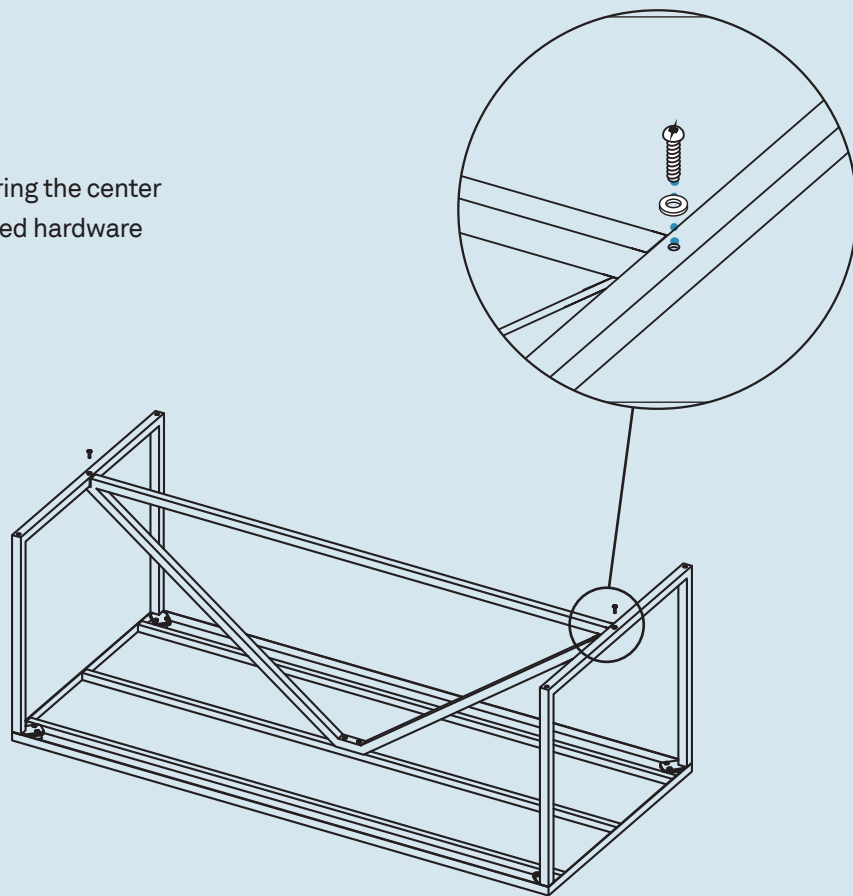
Attach the leg frames as shown using the provided hardware.



Step 03

FINISHING THE ASSEMBLY.

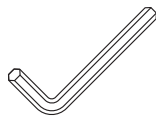
Finish the assembly by securing the center strut support with the provided hardware as shown.



PT. 1094 x 2



PT. 3002 x 2



PT. 9004 x 1

Additional Information

CLEAN

Clean with a slightly damp, soft cloth. To remove dirt and fingerprints, use a quality cleaner formulated for painted furniture. Wipe completely dry with a soft cloth in the direction of the wood grain.

