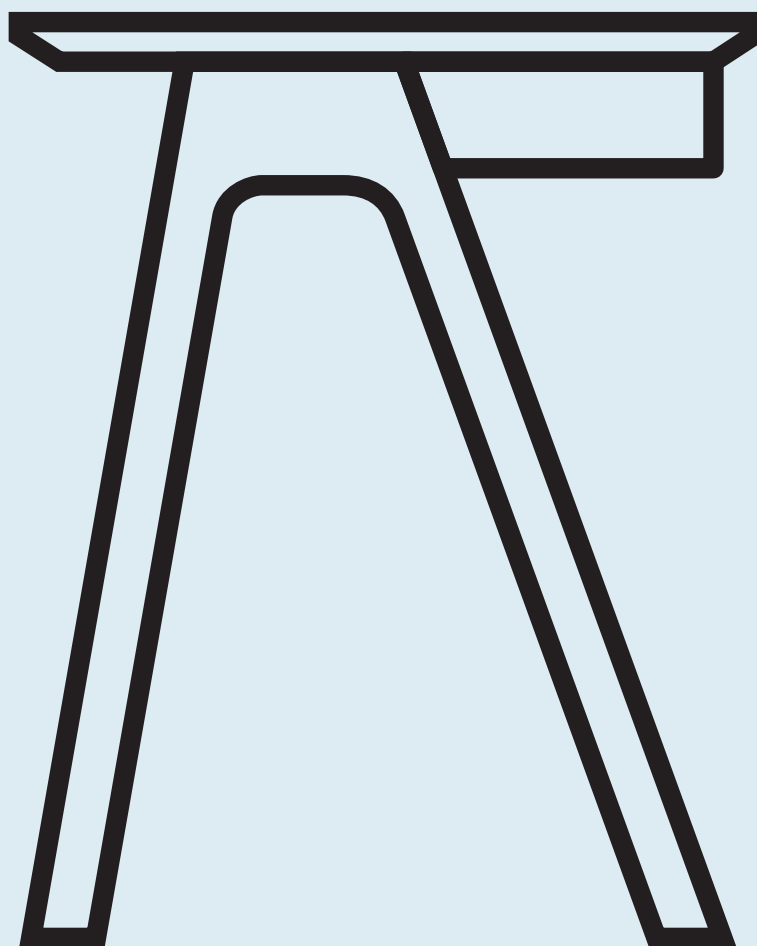
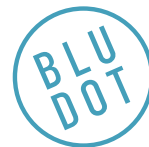


Stash Desk

DESIGNED IN 2011

ASSEMBLY NOTES | REV 03



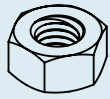
NEED A HAND?

Contact us at service@bludot.com or
844.425.8368 for assistance.

@BLUDOT

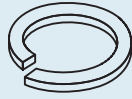
We design all our pieces in our Minneapolis studio. Follow
along on Instagram for some sneak peeks into the process.

Parts & Hardware



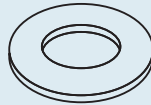
QTY 8

Pt. 2004



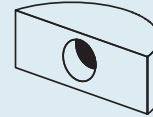
QTY 8

Pt. 3005



QTY 8

Pt. 3007



QTY 8

Pt. 9000



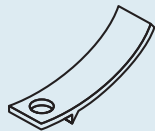
QTY 8

Pt. 9010



QTY 1

Pt. 1210



QTY 1

Pt. 8010



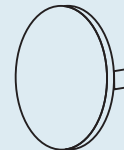
QTY 5

Pt. 5005



QTY 4

Pt. 5001



QTY 7

Plastic Cap



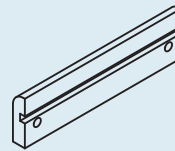
QTY 4

Pt. 5002



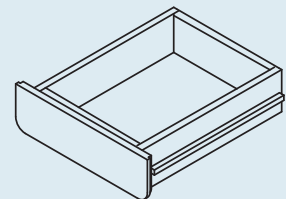
QTY 1

Pt. 9038



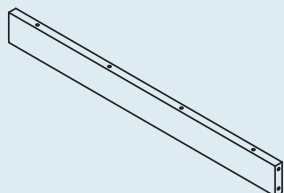
QTY 2

Drawer Support



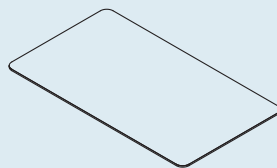
QTY 1

Drawer



QTY 1

Rear Rail



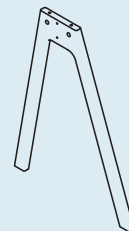
QTY 1

Top Panel



QTY 1

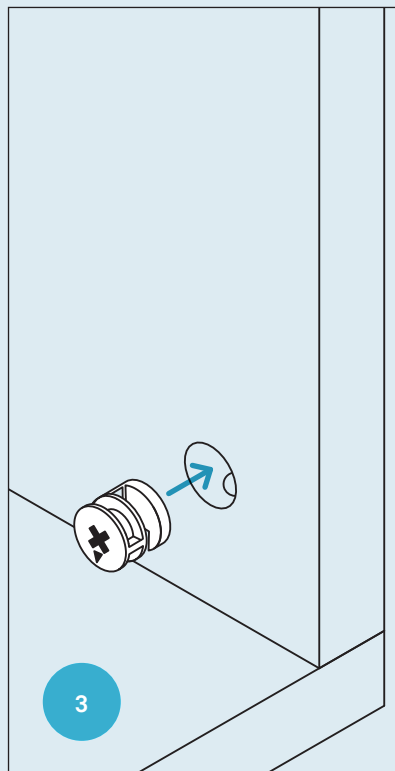
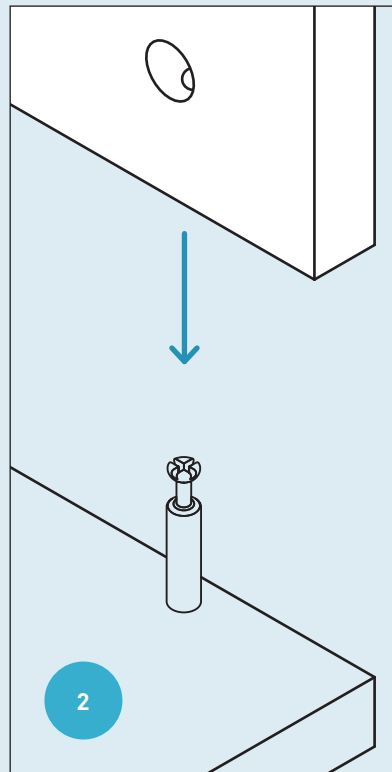
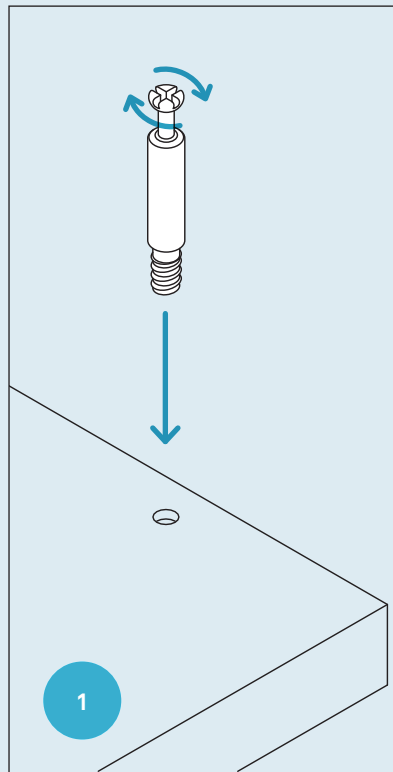
Left Leg



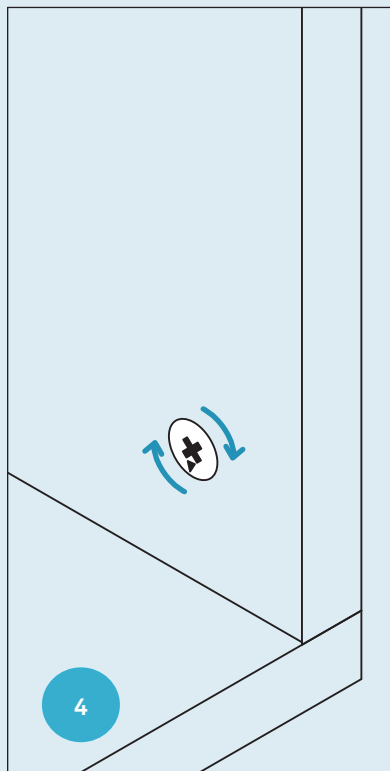
QTY 1

Right Leg

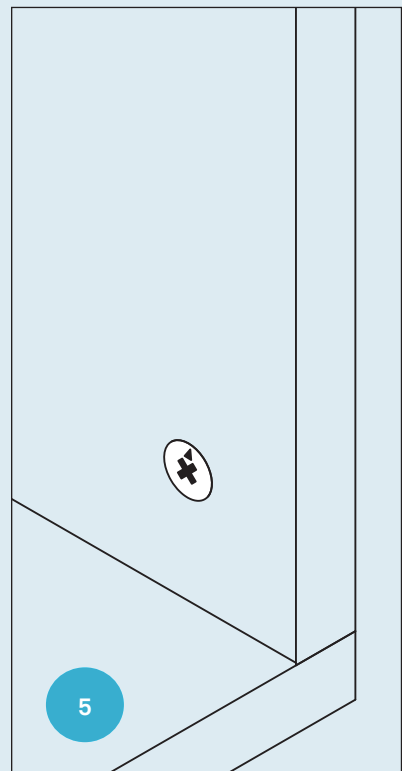
How to use the cam lock system



Note direction of cam arrow.



Turn cam clockwise 1/2 turn or until tight.

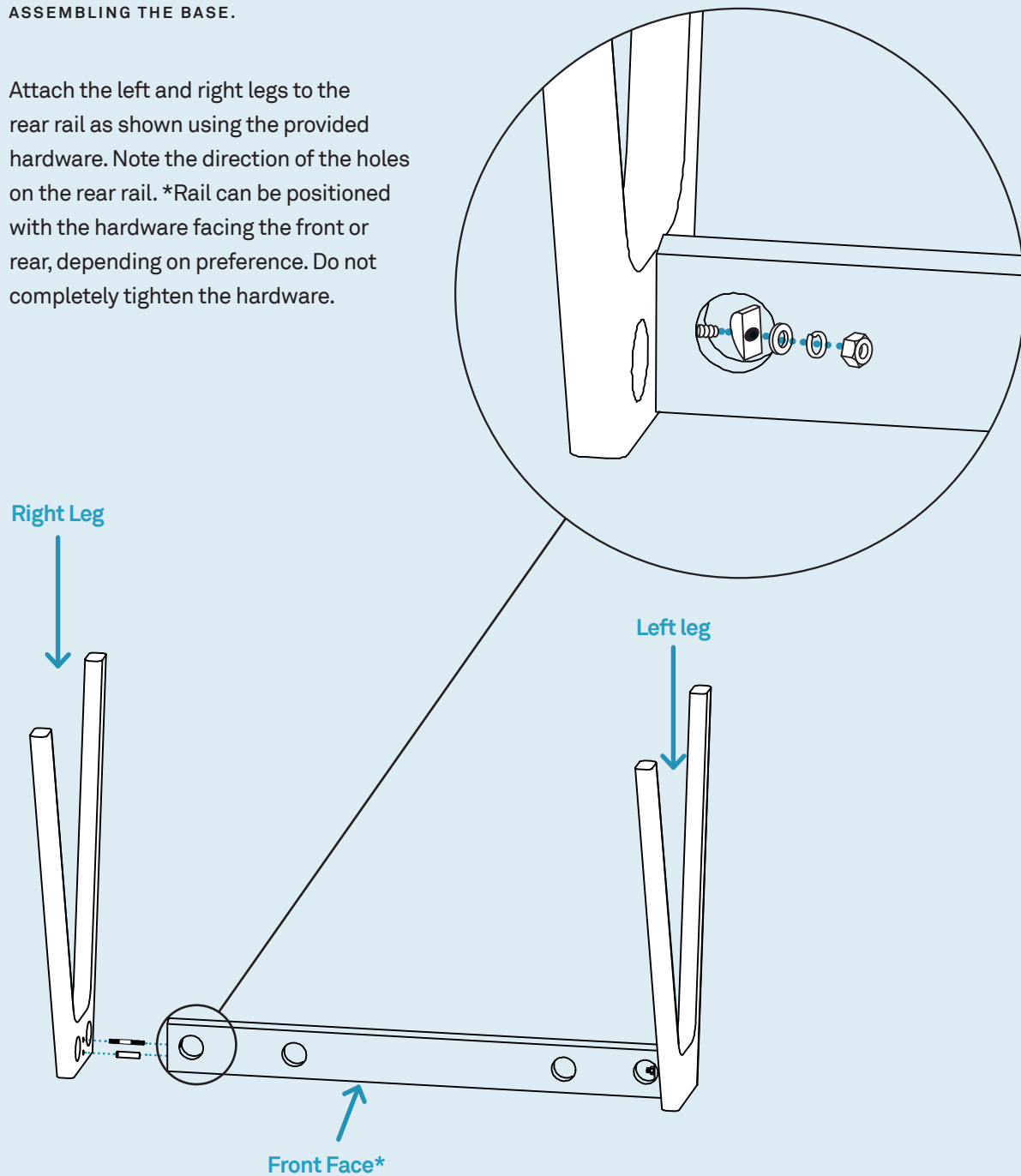


Note direction of cam arrow.

Step 01

ASSEMBLING THE BASE.

Attach the left and right legs to the rear rail as shown using the provided hardware. Note the direction of the holes on the rear rail. *Rail can be positioned with the hardware facing the front or rear, depending on preference. Do not completely tighten the hardware.



PT. 2004 x 2



PT. 3005 x 2



PT. 3007 x 2



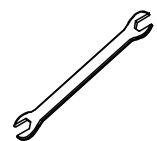
PT. 9000 x 2



PT. 9010 x 2



PT. 5005 x 2



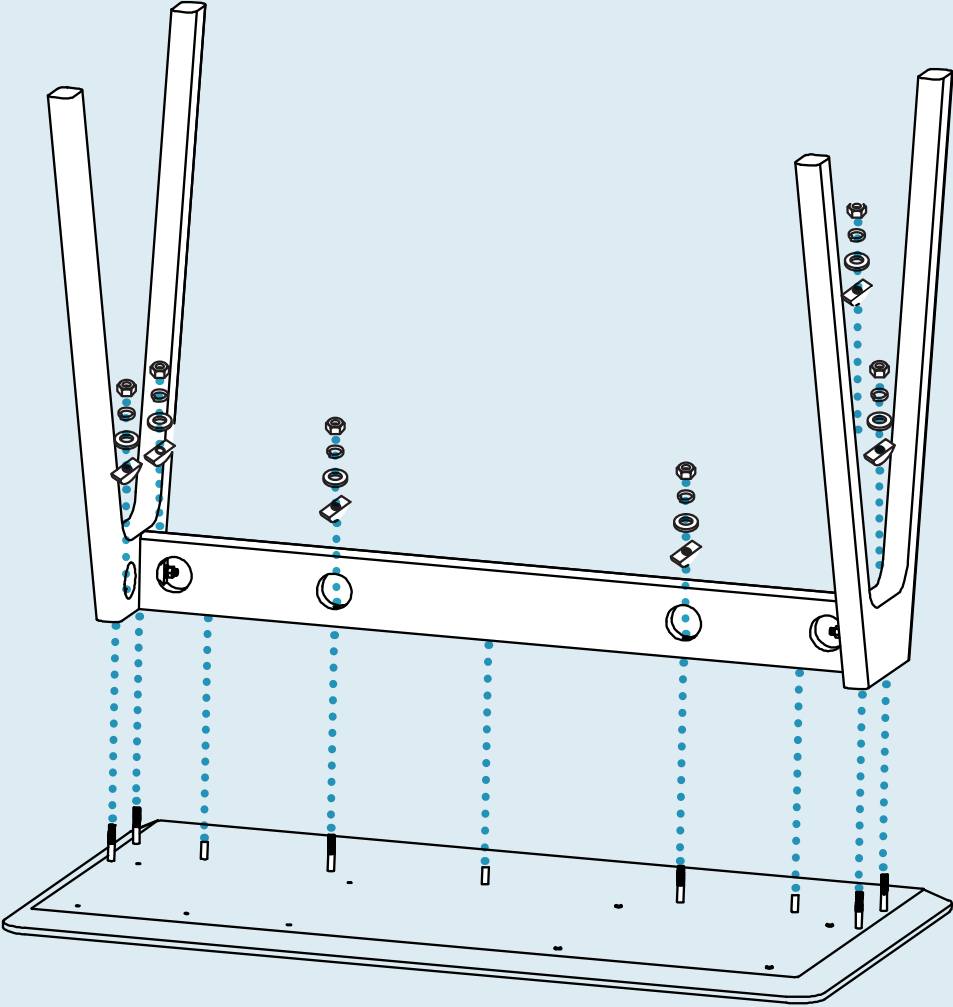
PT. 9038 x 1

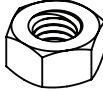
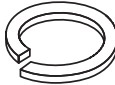
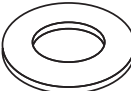




Step 02

ATTACHING THE TOP PANEL.

Place the top panel face down on a soft surface. Attach the threaded studs and dowels into the top panel, then attach the base frame as shown.

After all hardware has been threaded, tighten all of the hardware.



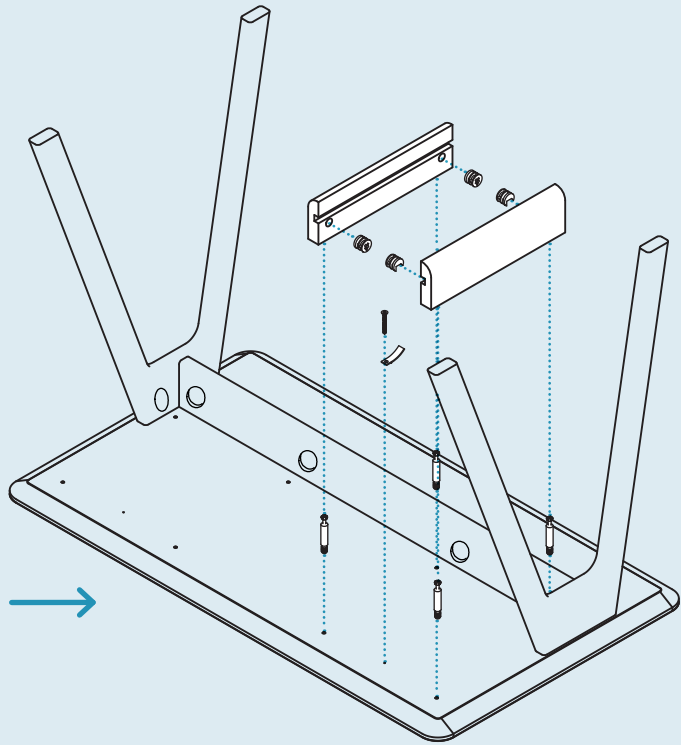
						
PT. 2004 x 6	PT. 3005 x 6	PT. 3007 x 6	PT. 9000 x 6	PT. 9010 x 6	PT. 5005 x 3	PT. 9038 x 1

Step 03

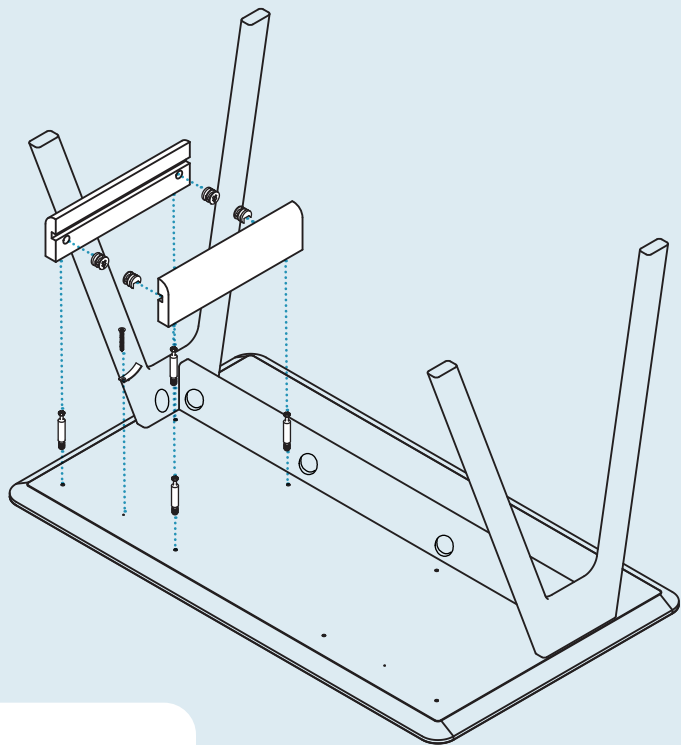
ATTACHING THE DRAWER SUPPORTS.

The included drawer can be installed on either the left or right side of the desk. Attach the drawer supports as shown using the provided hardware.

Left Side Drawer →



Right Side Drawer →



PT. 5001 x 4



PT. 5002 x 4



PT. 1210 x 1

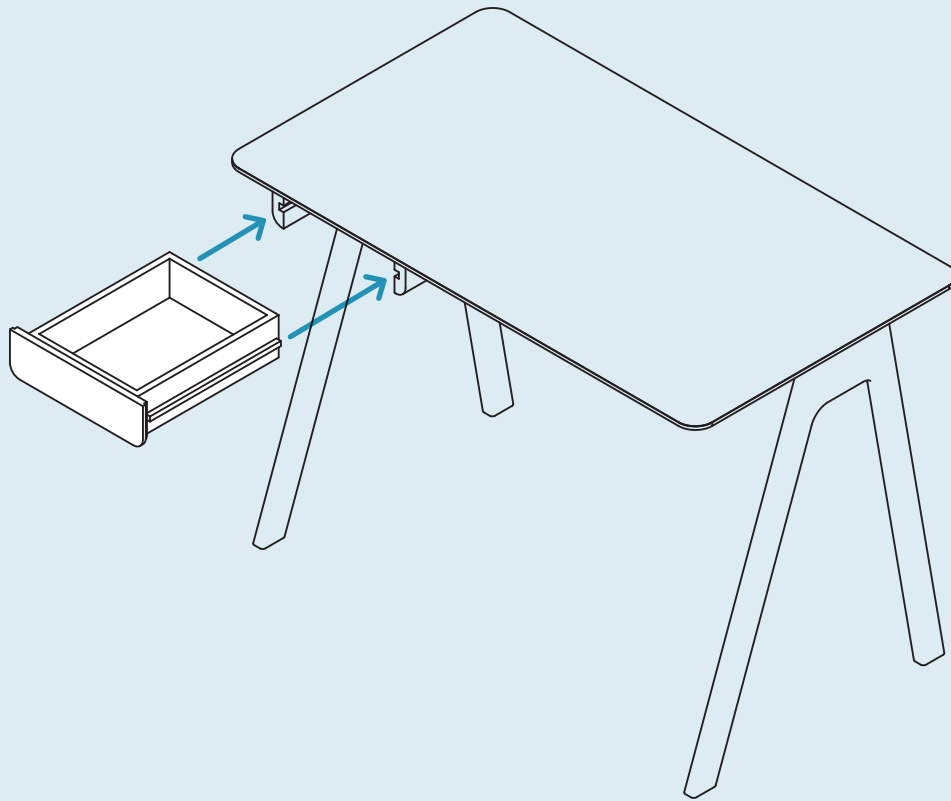


PT. 8010 x 1

Step 04

INSTALLING THE DRAWER.

Align the wood slides on the drawer with the grooves in the drawer supports.
Slide the drawer into place.



Additional Information

OPTIONAL

The desk comes with seven optional plastic caps to cover visible hardware not already covered by the drawer, if desired. These snap into place.

CLEAN

Clean with a slightly damp, soft cloth. To remove dirt and fingerprints, use a quality cleaner formulated for wood furniture. Wipe completely dry with a soft cloth in the direction of the wood grain.

