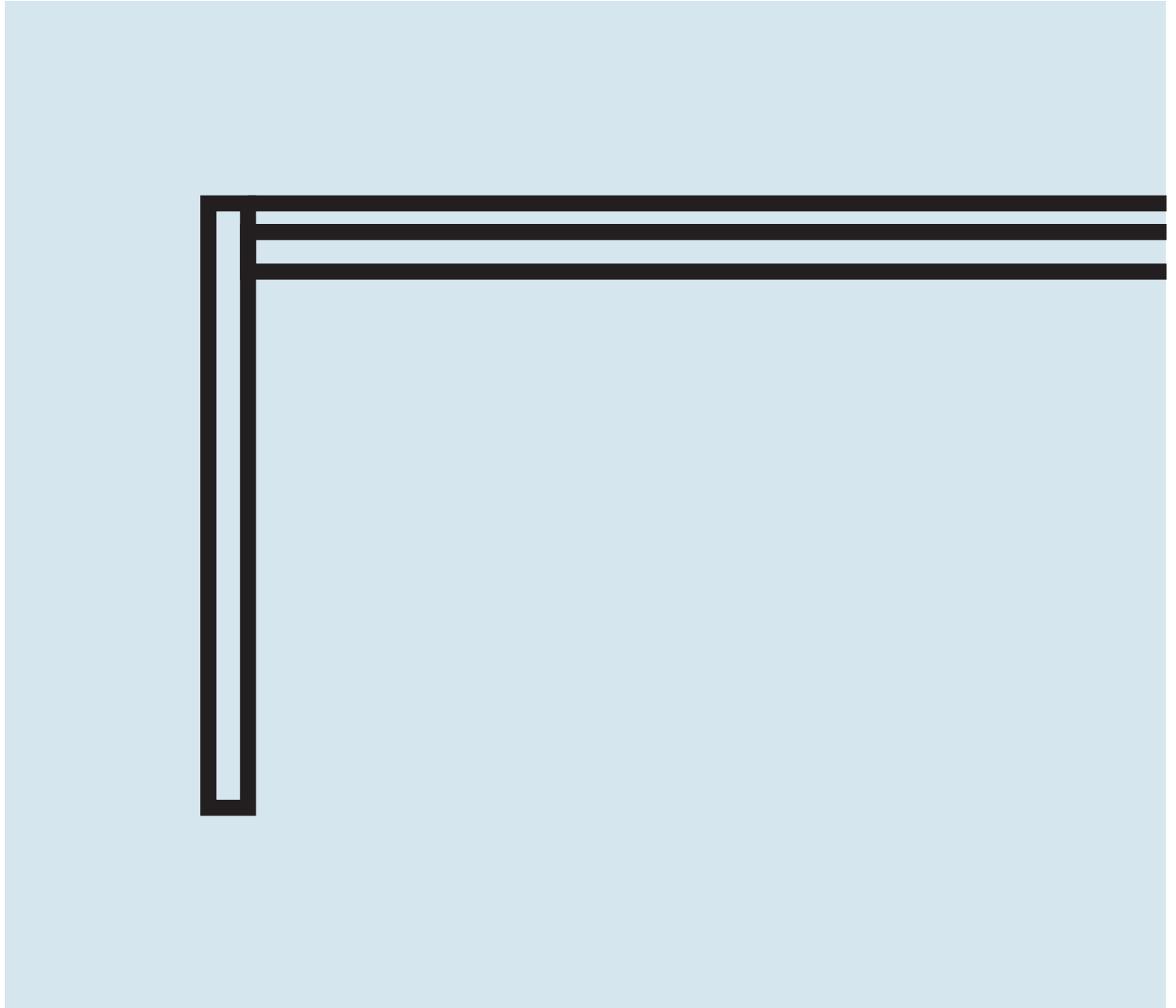


# Skiff Dining Table



DESIGNED IN 2012

ASSEMBLY NOTES | REV 01



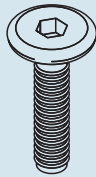
**TIME TO GET A POOL BOY.**

Crisp minimal powder-coated aluminum and tempered sandblasted glass.  
Clean lines designed to weather the elements.

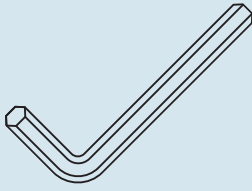
**NEED A HAND?**

Contact us at [service@bludot.com](mailto:service@bludot.com) or  
**844.425.8368** for assistance.

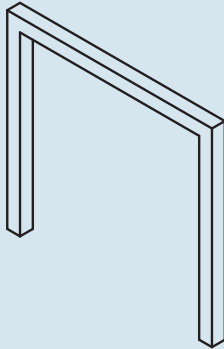
# Parts & Hardware



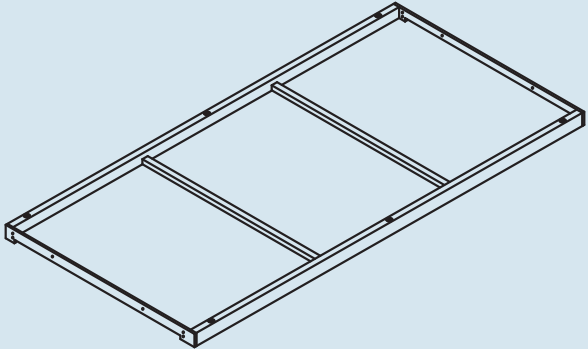
QTY 12  
Pt. 1603



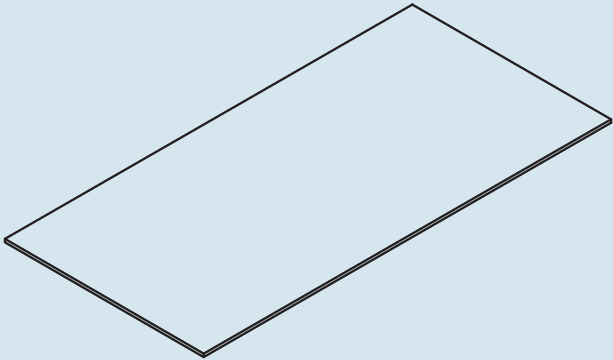
QTY 1  
Pt. 9004



QTY 2  
Leg Frame



QTY 1  
Table Frame

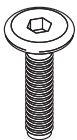
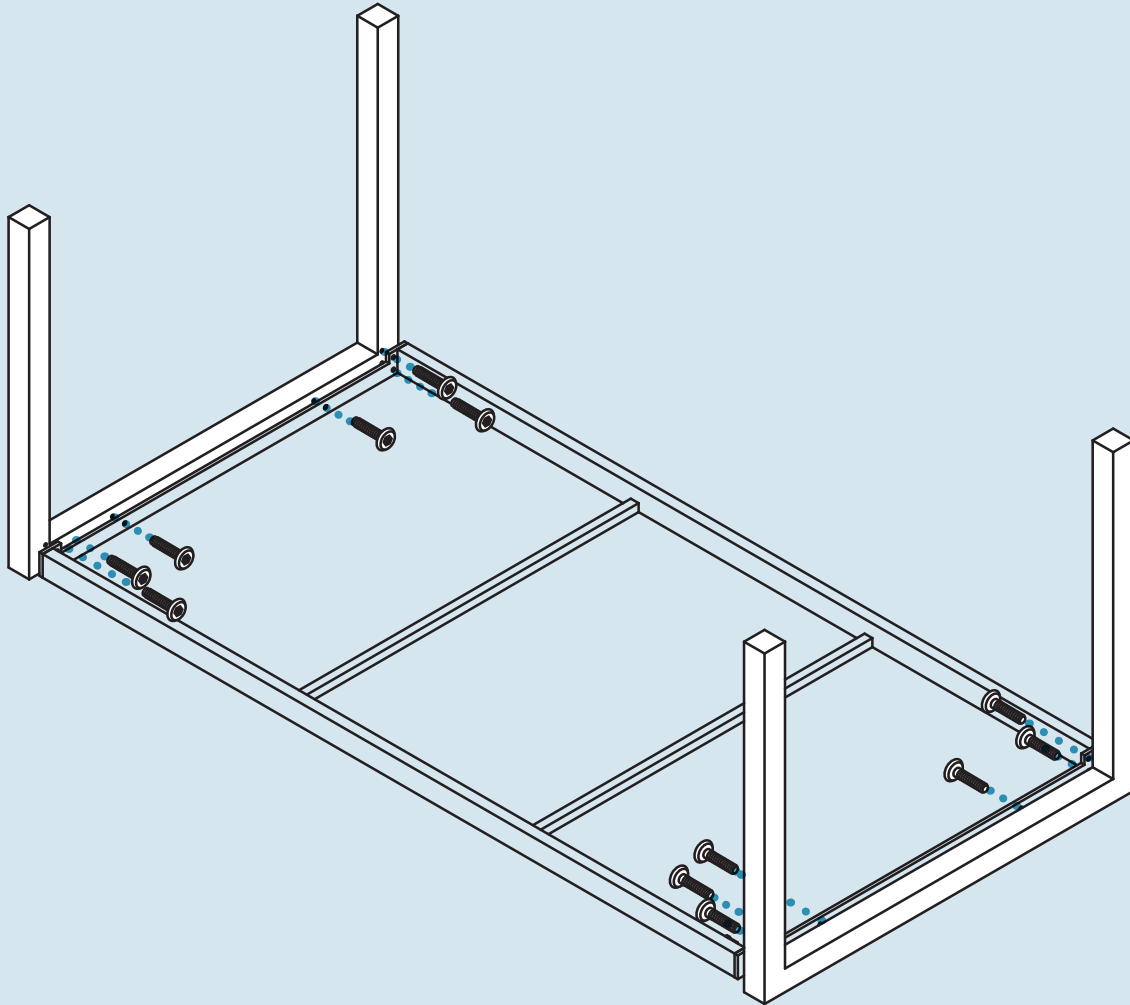


QTY 1  
Top Panel

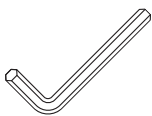
# Step 01

## ATTACHING THE LEG FRAMES.

Attach the leg frames to the top frame as shown using the provided hardware.



Pt. 1603 x 12

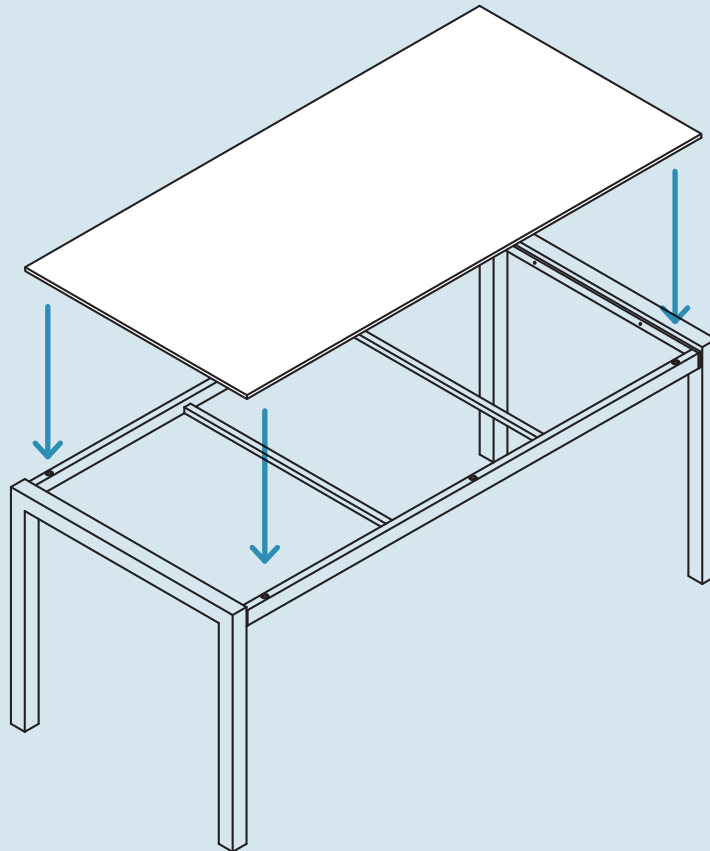


Pt. 9004 x 1

## Step 02

### PLACING THE TOP ON FRAME.

Using two people gently lift top panel and place on frame.



## Additional Information

### CLEAN

Clean with a slightly damp, soft cloth. To remove dirt and fingerprints, use a quality cleaner formulate for metal furniture. Wipe completely dry with a soft cloth.

