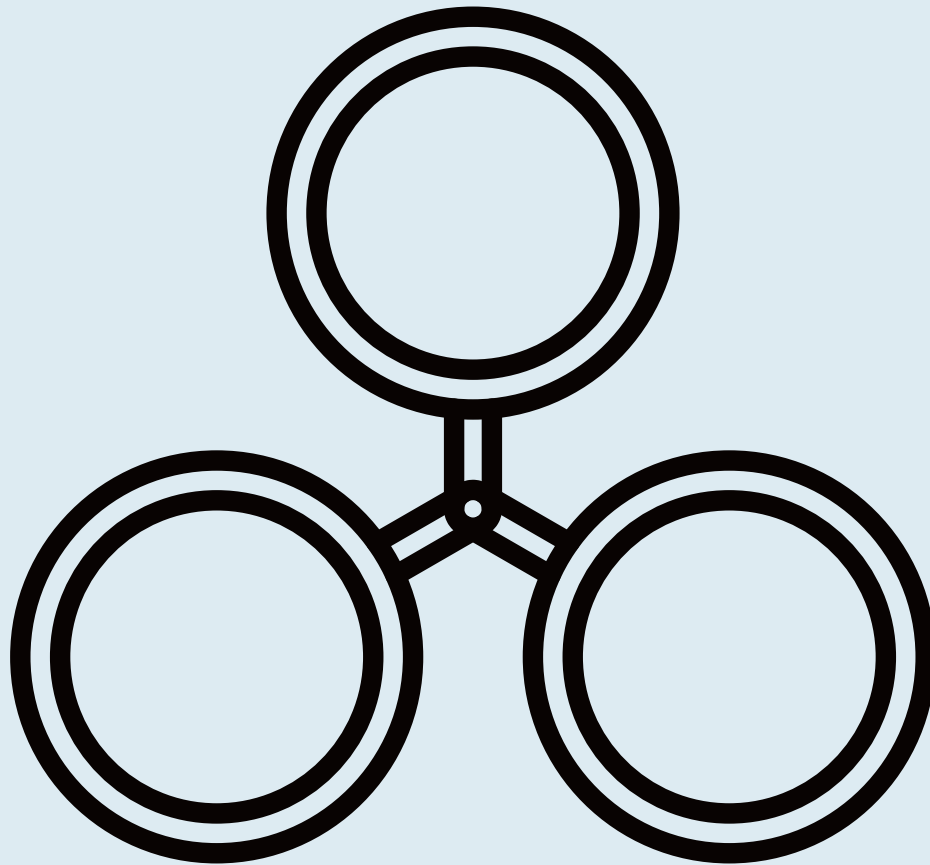
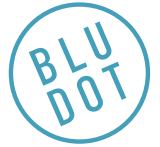


Shine On Pendant

DESIGNED IN 2018

ASSEMBLY NOTES | REV 00



NEED A HAND?

Contact us at service@bludot.com or
844.425.8368 for assistance.

@BLUDOT

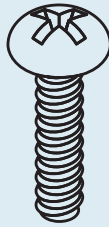
We design all our pieces in our Minneapolis studio. Follow
along on Instagram for some sneak peeks into the process.

Parts & Hardware



QTY 2

PT. 1061



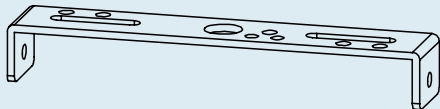
QTY 2

PT. 1060



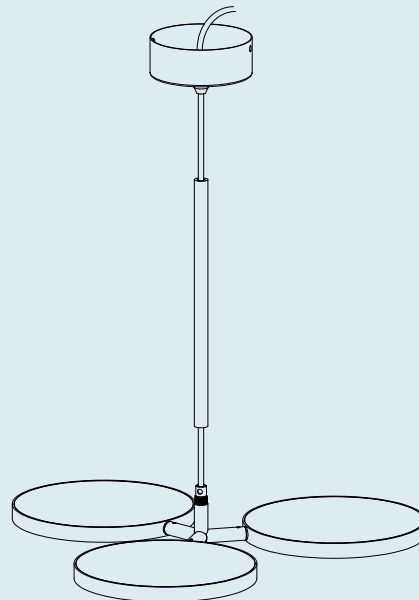
QTY 3

PT. 8021



QTY 1

Mounting Bracket



QTY 1

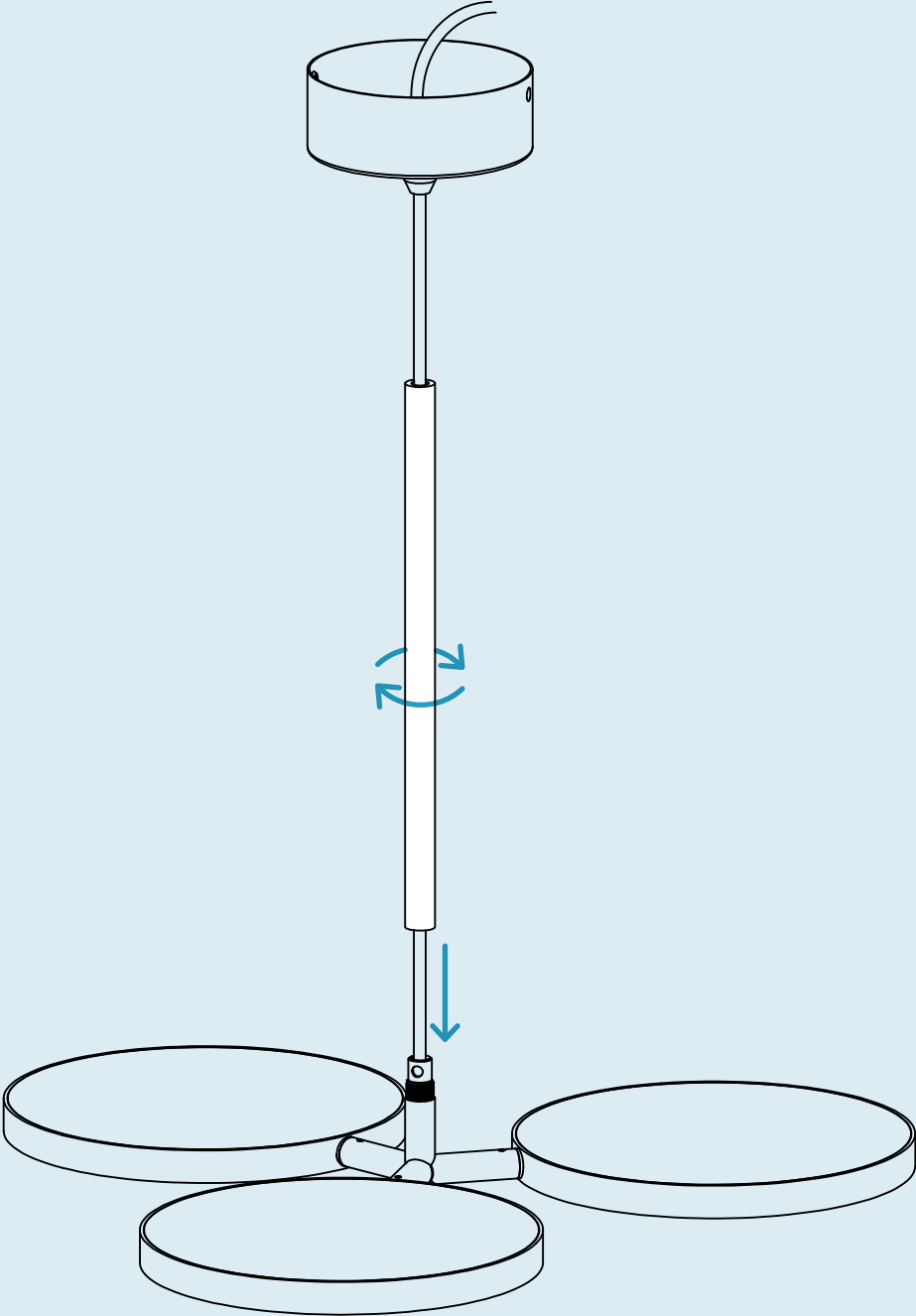
Pendant

NOTE: Electricity is dangerous. It is recommended to hire a professional electrician to install your lamp.

Step 01

ATTACH STEM.

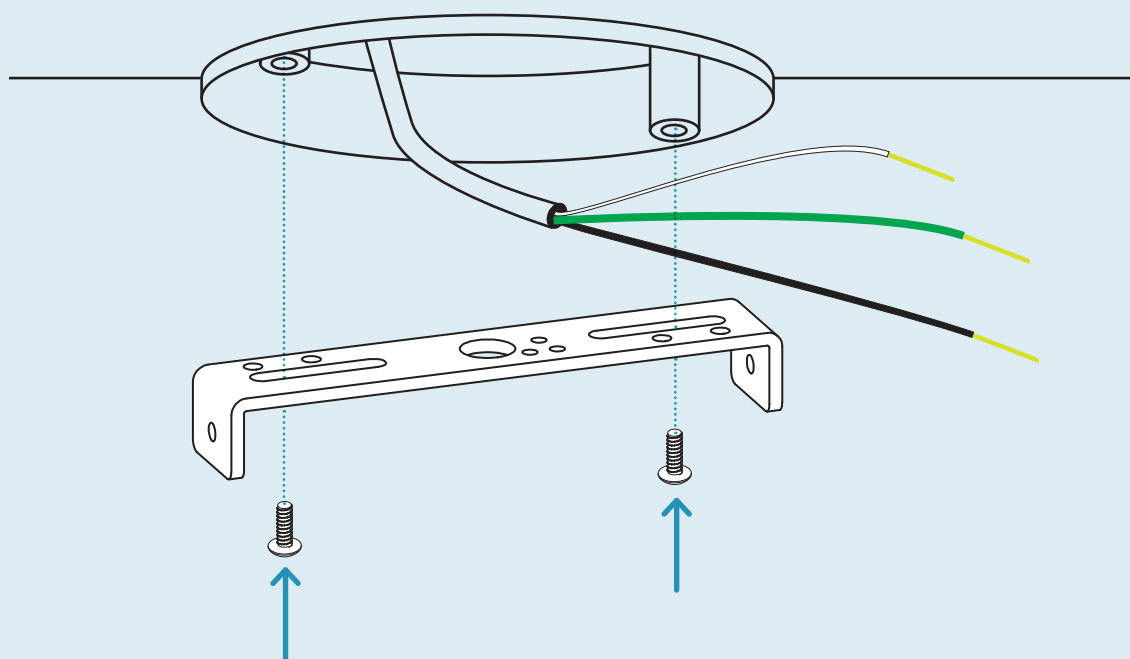
Rotate stem onto threaded base as shown.



Step 02

ATTACH MOUNTING BRACKET.

1. Disconnect power.
2. Attach mounting bracket to ceiling electrical box as shown using the provided hardware.

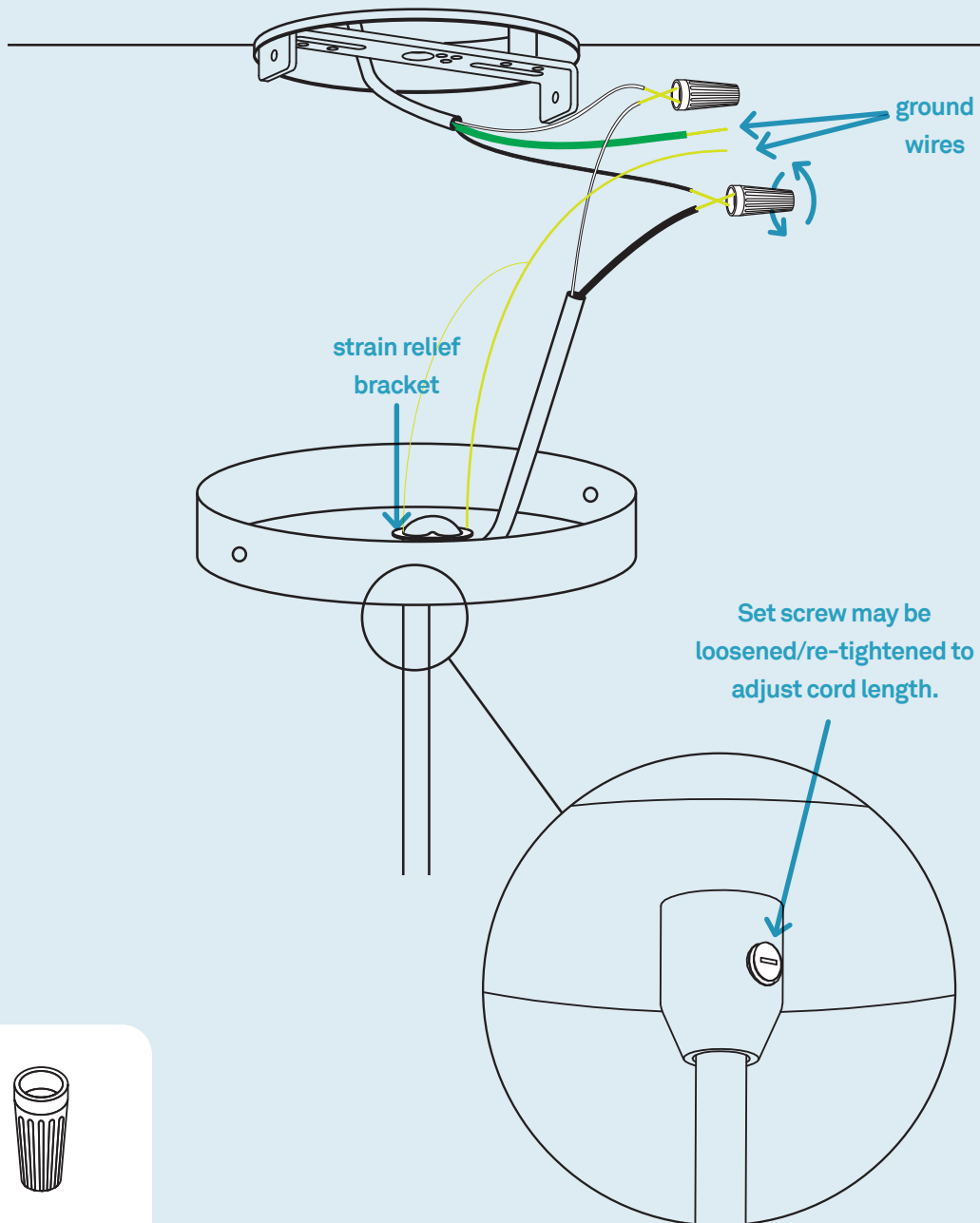


PT. 1060 x 2

Step 03

HARDWIRE PENDANT.

1. Cut pendant cord to desired length, allow 4" above canopy for wiring.
2. Twist matching copper wires together.
 - white to white
 - black to black

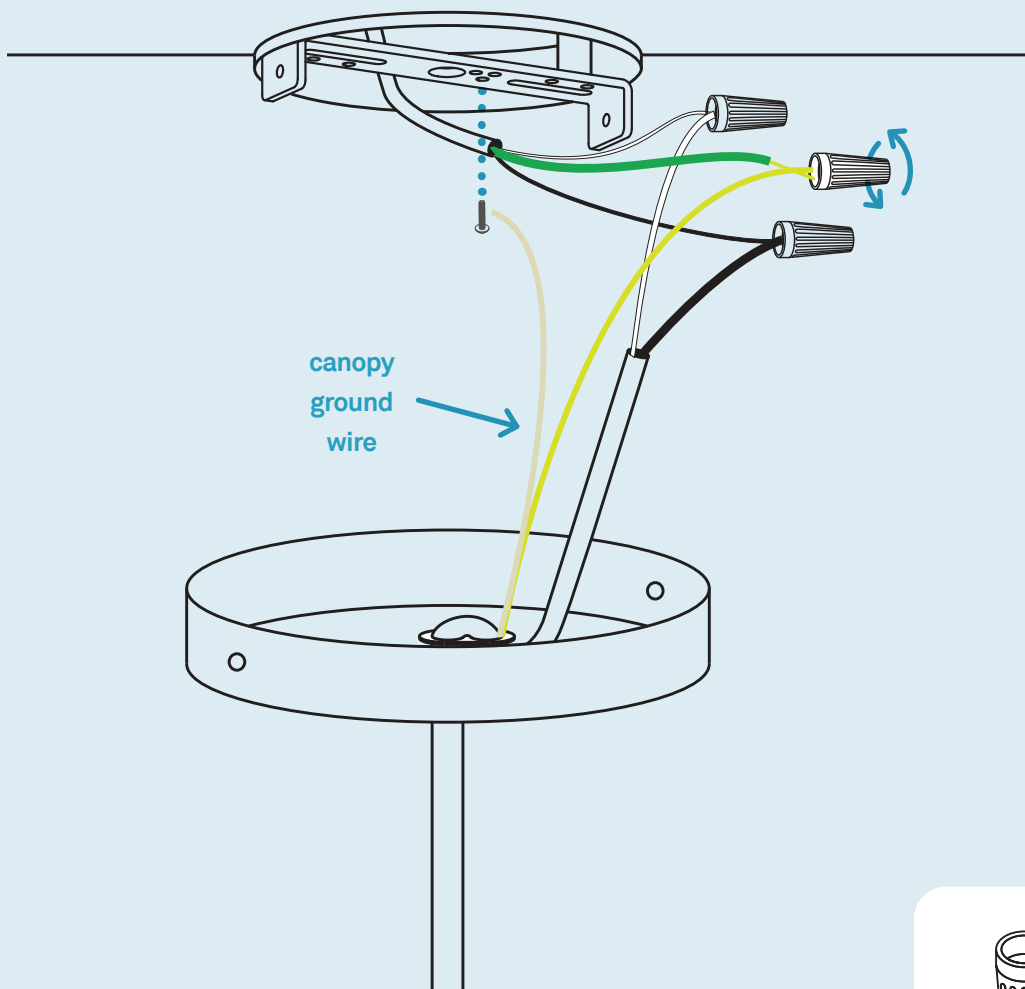


PT. 8021 x 2

Step 04

GROUND PENDANT.

1. Locate bare copper wire inside pendant canopy.
2. Twist matching copper wires together.
3. If no green wire (ground wire) is present in electrical box, wrap wire around pre-attached screw on mounting bracket and tighten into place.

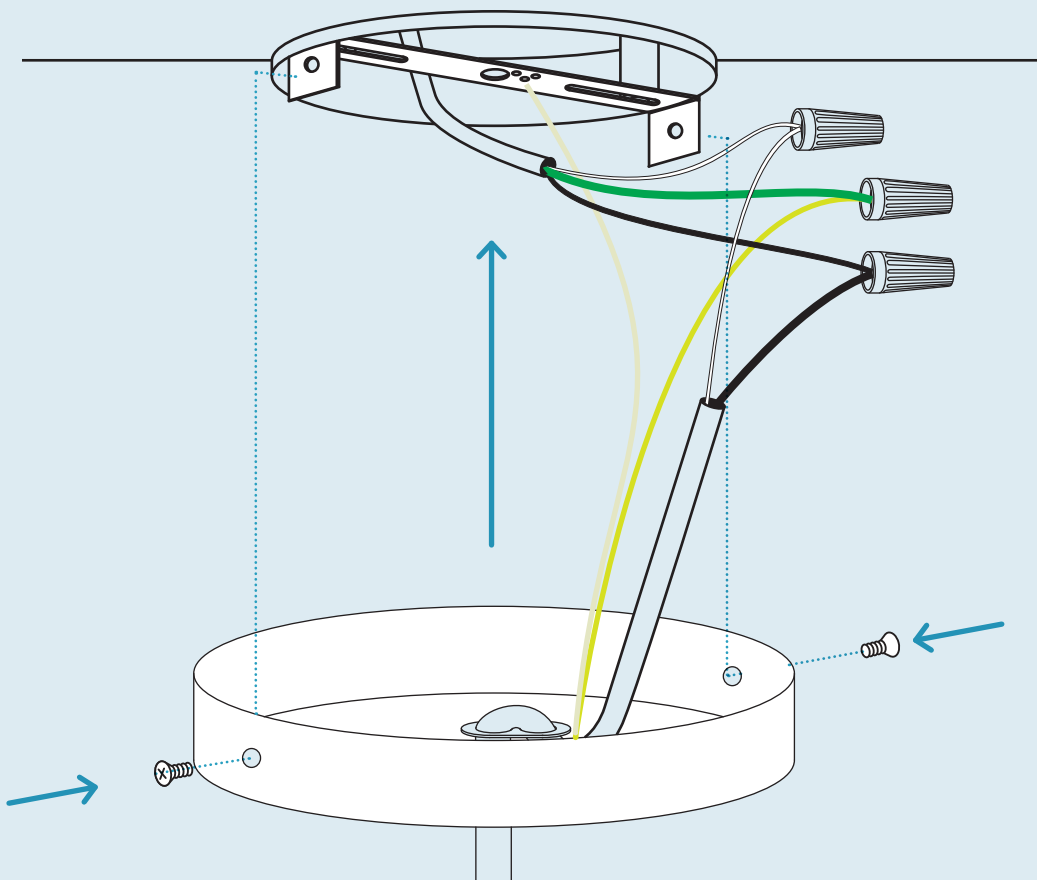


PT. 8021 x 1

Step 05

ATTACH CANOPY TO BRACKET.

1. Align vertical holes on mounting bracket with side canopy holes.
2. Attach as shown using the provided hardware.
3. Re-connect power.



PT. 1061 x 2

Additional Information

USE

This unit is meant for indoor use in dry locations only.

CLEAN

Clean powder-coated surfaces with a soft cloth.

REGULATORY

This device complies with part 15 of the FCC Rules. Operation is subject to the following two conditions: (1) This device may not cause harmful interference, and (2) this device must accept any interference received, including interference that may cause undesired operation. Caution: changes or modifications not expressly approved by the party responsible for compliance could void the user's authority to operate the equipment.

NOTE: This equipment has been tested and found to comply with the limits for a Class B digital device, pursuant to part 15 of the FCC Rules. These limits are designed to provide reasonable protection against harmful interference in a residential installation. This equipment generates, uses and can radiate radio frequency energy and, if not installed and used in accordance with the instructions, may cause harmful interference to radio communications. However, there is no guarantee that interference will not occur in a particular installation. If this equipment does cause harmful interference to radio or television reception, which can be determined by turning the equipment off and on, the user is encouraged to try to correct the interference by one or more of the following measures:

- Reorient or relocate the receiving antenna.
- Increase the separation between the equipment and receiver.
- Connect the equipment into an outlet on a circuit different from that to which the receiver is connected.
- Consult the dealer or an experienced radio/TV technician for help.

