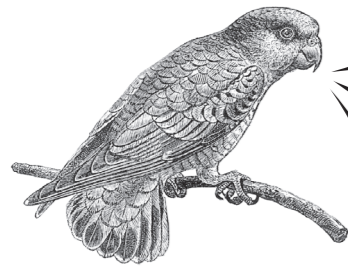
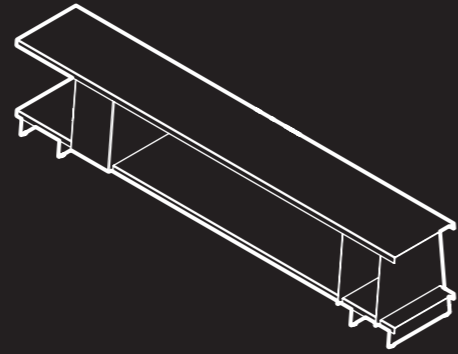


BLU
DOT

SHILF

ASSEMBLY NOTES

MODULAR
AND
TOOL-FREE!



CARE

Clean powder-coated units with a soft cloth or sponge using a mild detergent, such as dish soap, and warm water. Wipe completely dry with a soft cloth.

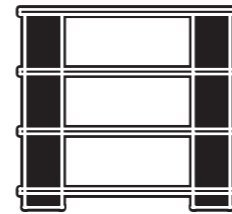
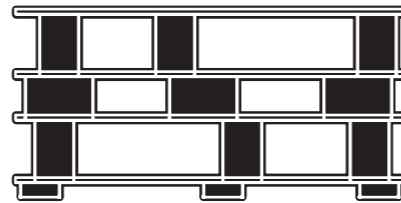
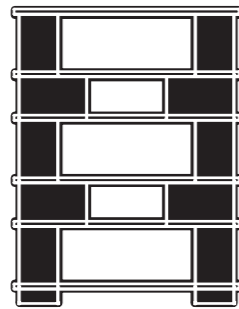
MAY I SUGGEST A FEW IDEAS?

x6 short shelf
x6 tall block
x4 short block
x2 foot block

x4 long shelf
x6 tall block
x3 short block
x3 foot block

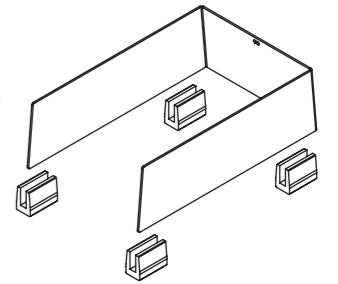
x4 short shelf
x6 tall block
x2 foot block

x2 long shelf
x3 tall block
x3 foot block

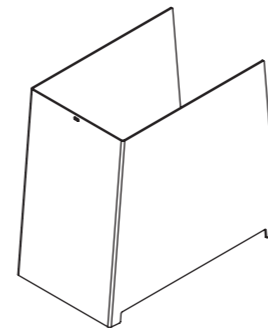


AVAILABLE PARTS SOLD SEPARATELY

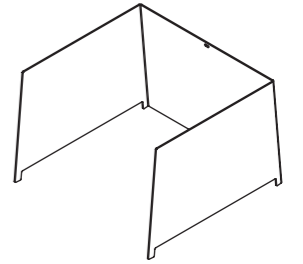
FOOT BLOCK



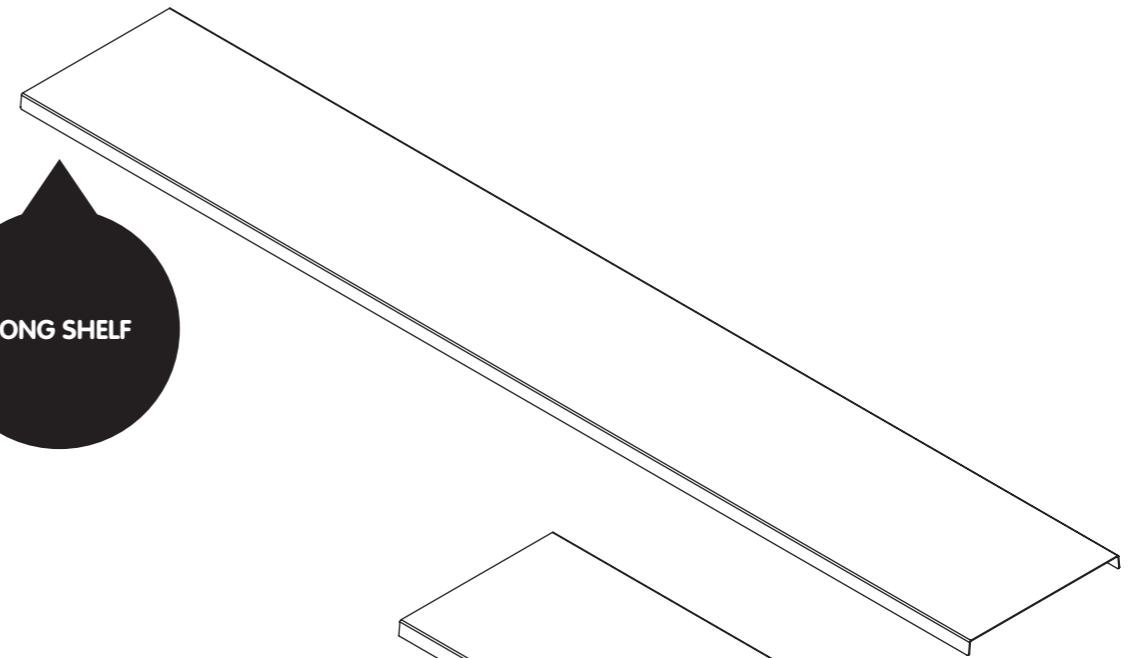
TALL BLOCK



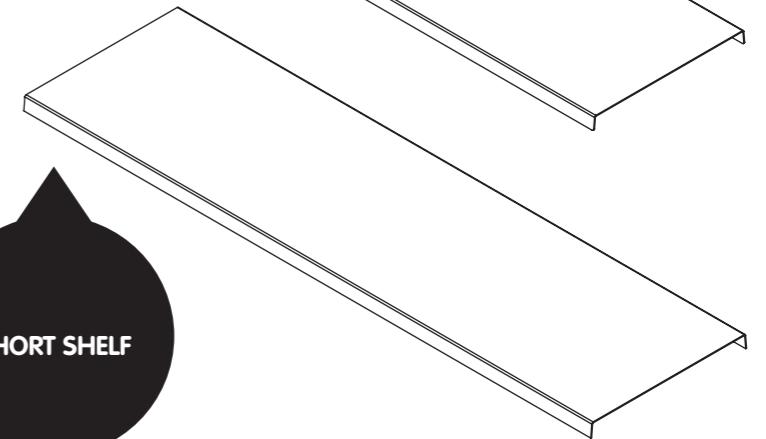
SHORT BLOCK



LONG SHELF



SHORT SHELF

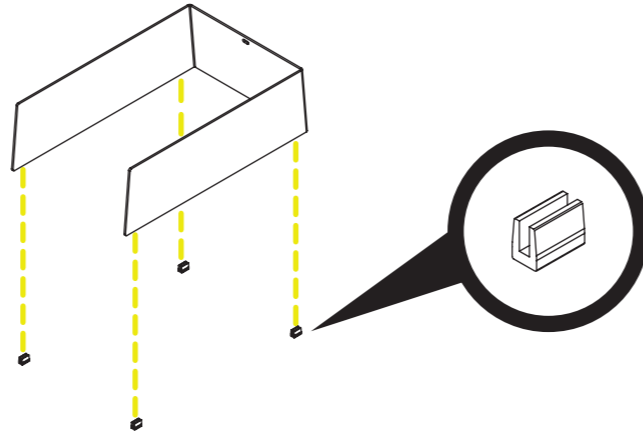


GUIDELINES FOR A SAFE & STURDY SHILF

- Maximum height: 6 blocks.
- Use at least 2 blocks on each shelf.
- Blocks used on an individual shelf must all be of the same height.
- Avoid sliding blocks across shelves to prevent scratching the surface.

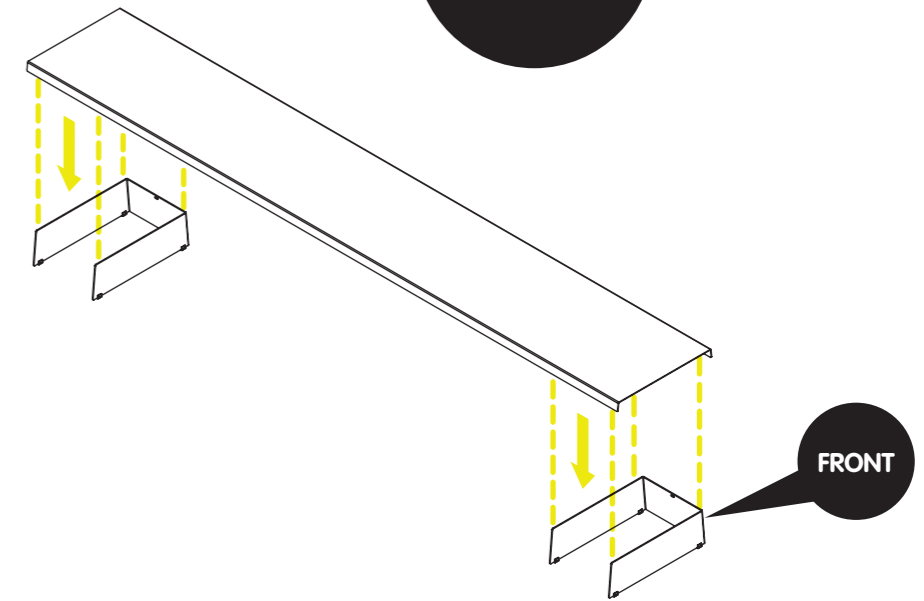
1

START WITH FOOT BLOCKS



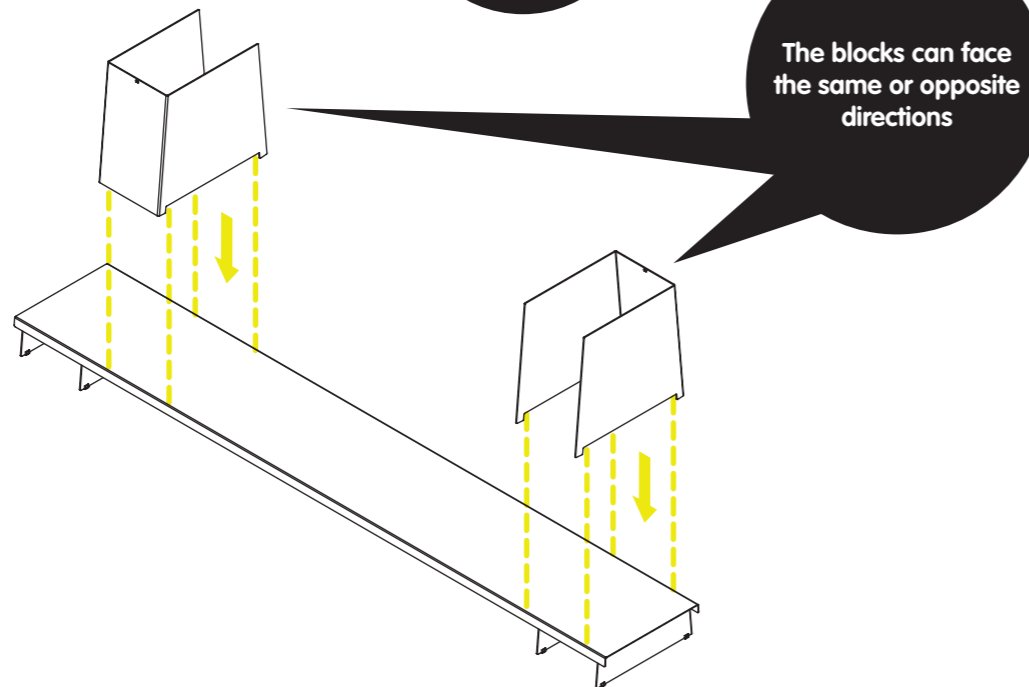
2

ADD A SHELF



3

ADD BLOCKS



4

ADD ANOTHER SHELF

Continue to add and configure as needed — following the simple guidelines listed on this page.

