

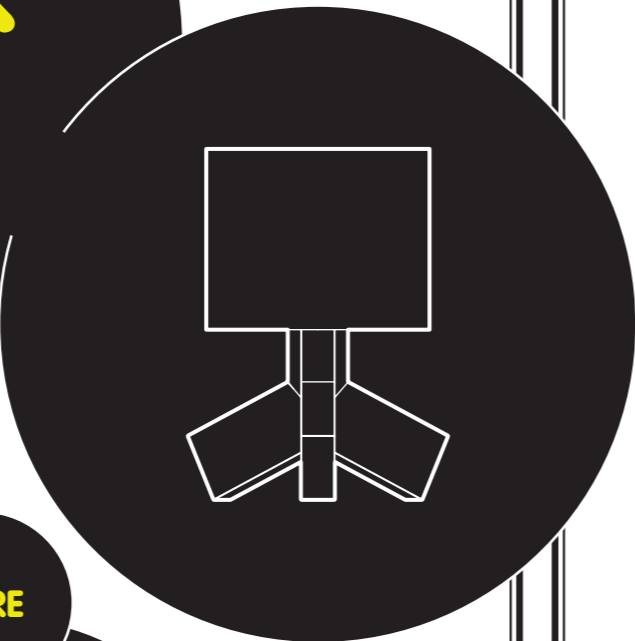
BLU
DOT

ROOK

TABLE LAMP

ASSEMBLY NOTES

1, 2, AND YOU'RE
THROUGH!

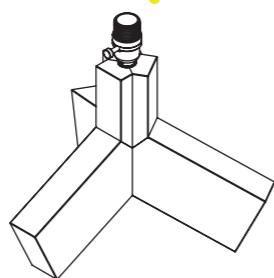
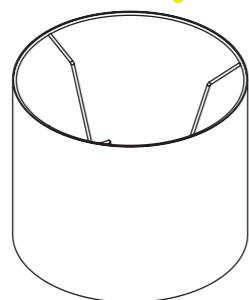


CARE

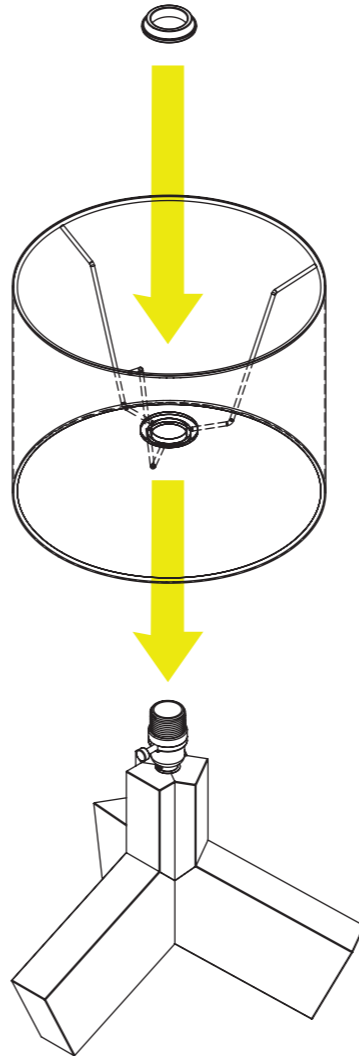
Clean with a slightly damp, soft cloth. To remove dirt and fingerprints, use a quality cleaner formulated for wood furniture. Wipe completely dry with a soft cloth in the direction of the wood grain.



PARTS



1



2

BULB

Maximum
100 watt incandescent
or 23 watt CFL

