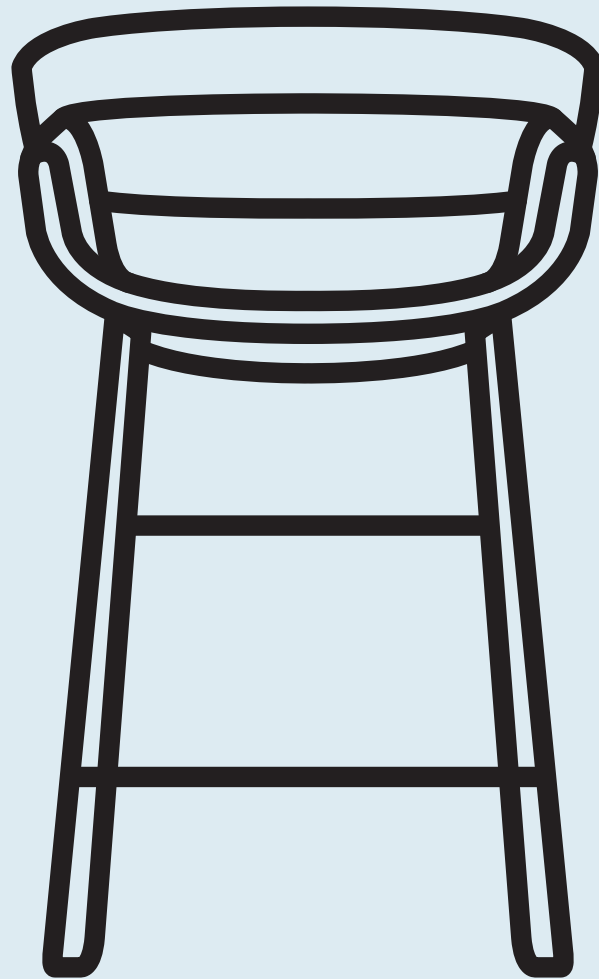
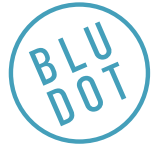


Racer Barstool

DESIGNED IN 2018

ASSEMBLY NOTES | REV 00



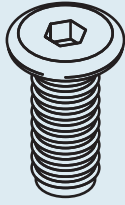
IF SITTING IS BAD, I DON'T WANT TO BE GOOD.

An upholstered seat and back work the curves and overlap just so to create a chair that invites you to sit down and stay awhile.

NEED A HAND?

Contact us at service@bludot.com or **844.425.8368** for assistance.

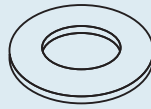
Parts & Hardware



QTY

4

PT. 1068



QTY

4

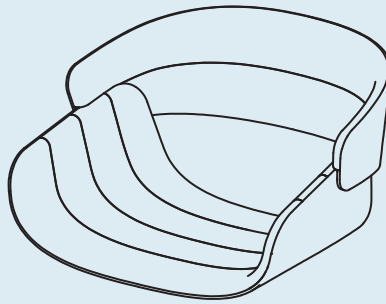
PT. 3002



QTY

1

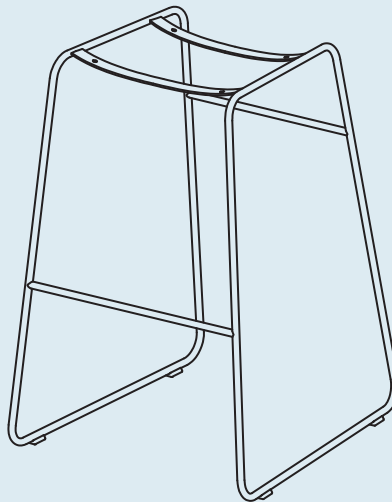
PT. 9026



QTY

1

Shell



QTY

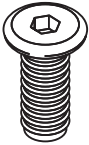
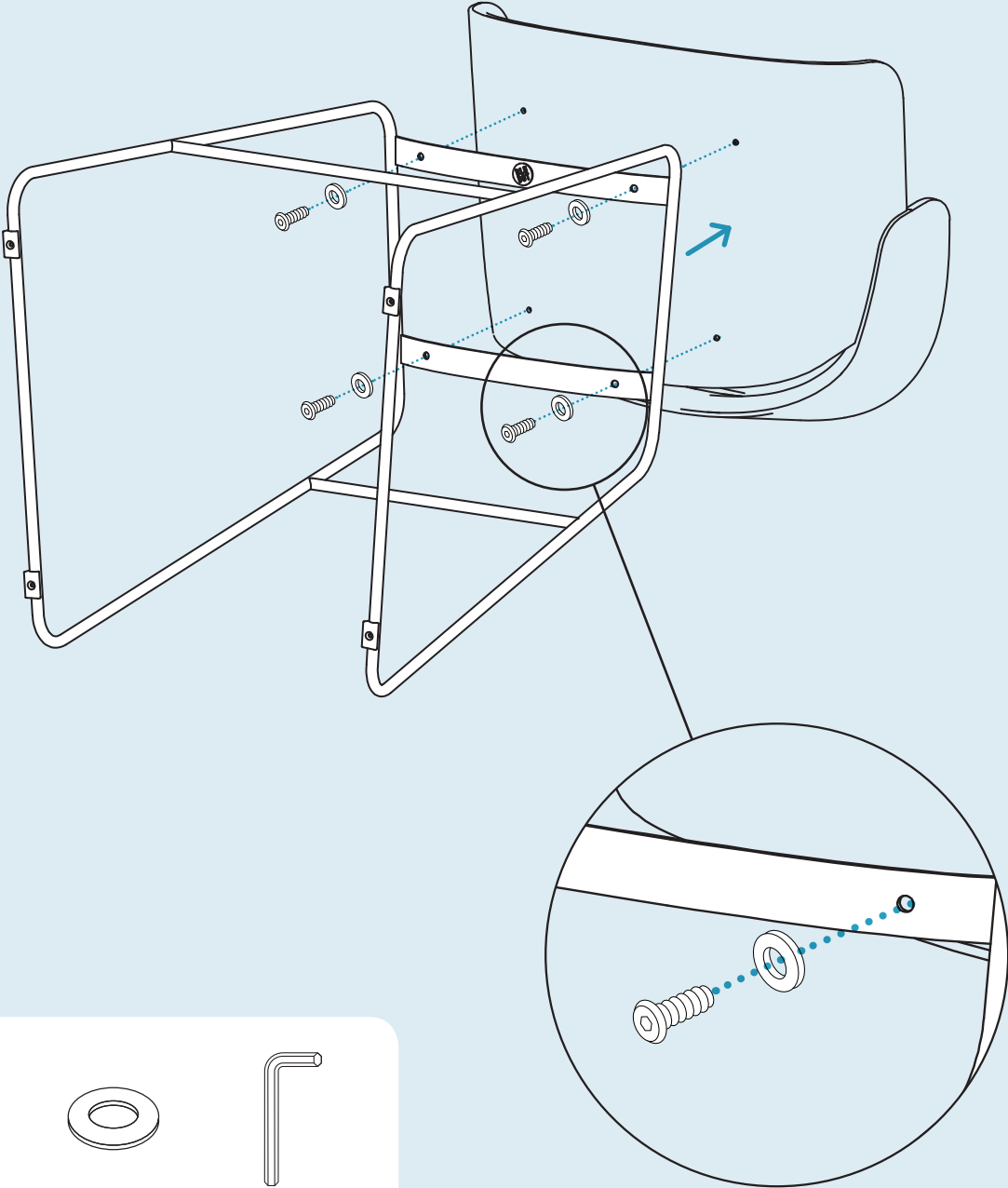
1

Base

Step 01

ATTACH BASE TO SHELL.

Attach the base to the shell as shown using the provided hardware.



PT. 1068 x 4



PT. 3002 x 4



PT. 9026 x 1

Additional Information

CLEAN

Vacuum your upholstery regularly. For leather furniture dust regularly with a dry cloth.

SPILLS

Act quickly with spills. Absorb the spill with a clean white cloth or paper towel. Never rub the surface. Do not use water or other liquids to clean, as they may cause stains. Consult a commercial cleaning specialist for removal of stubborn stains.

AVOID

Keep furniture out of direct sunlight and away from heat sources; excessive exposure to sunlight may cause color fading. Avoid placing heavy or sharp objects on the furniture surface for long periods of time; this can cause permanent surface indentations. For snags in the fabric, tuck loose threads into fabric or carefully push to reverse side. Never pull out or cut off loose threads.

