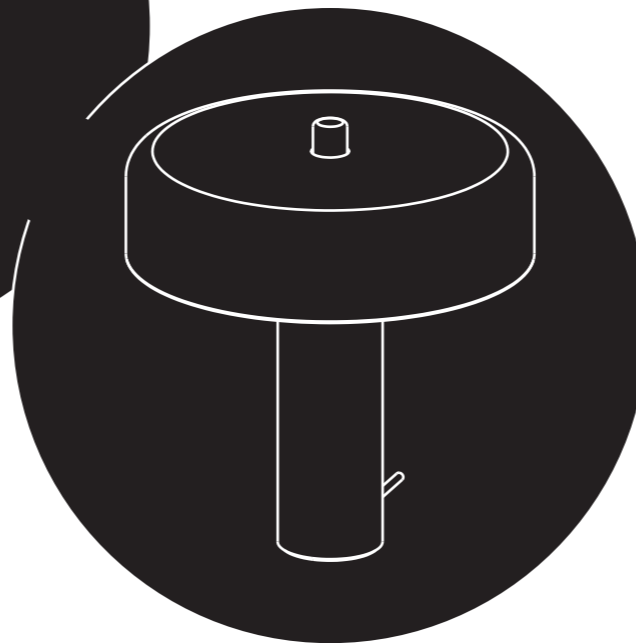
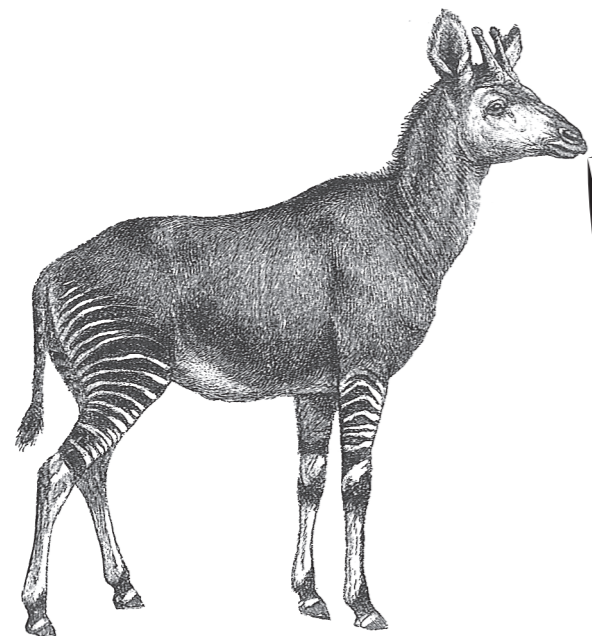


BLU  
DOT

# PUNK LAMP

ASSEMBLY NOTES

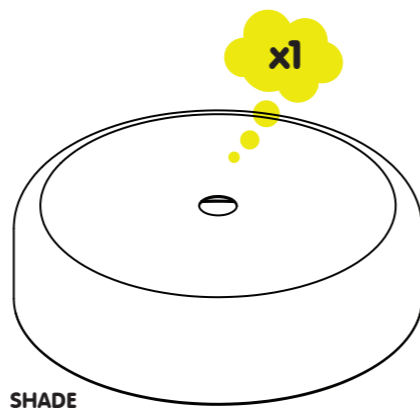
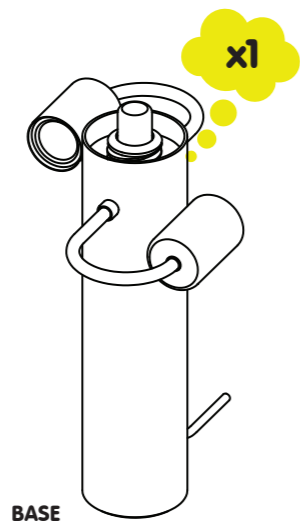
WHAT ARE YOU  
LOOKING AT!



## CARE

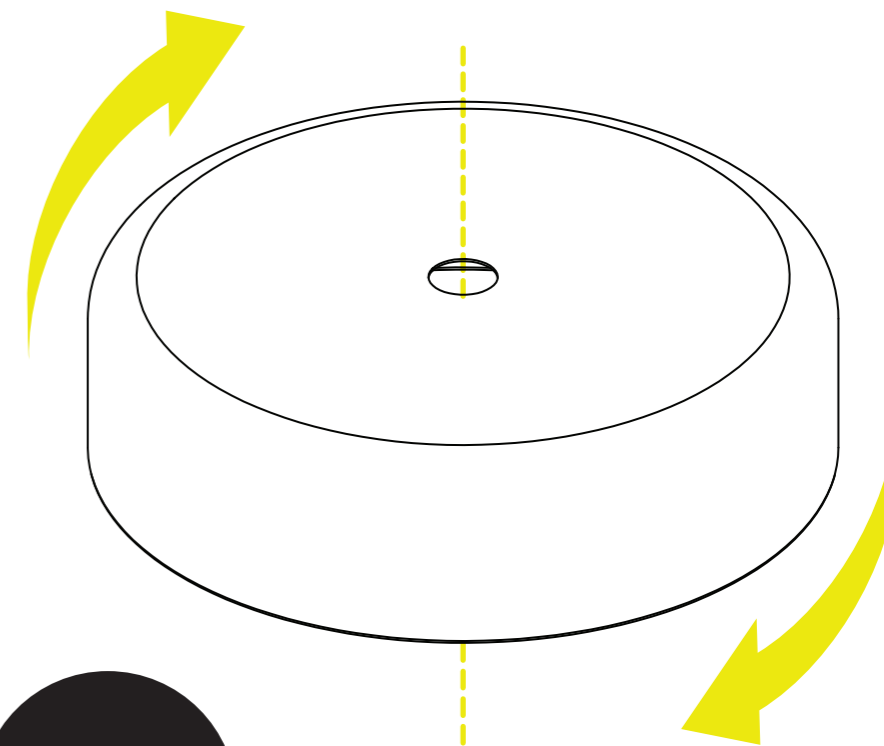
Disconnect the product  
before cleaning. Clean with  
a soft cloth.

## PARTS



Due to regulatory  
requirements light bulbs  
(E-26 23W CFL) are  
provided. We recommend  
using (x2) 40W maximum  
incandescent bulbs or  
LED, CFL equivalents.

1



Install light bulbs  
before attaching  
shade.

