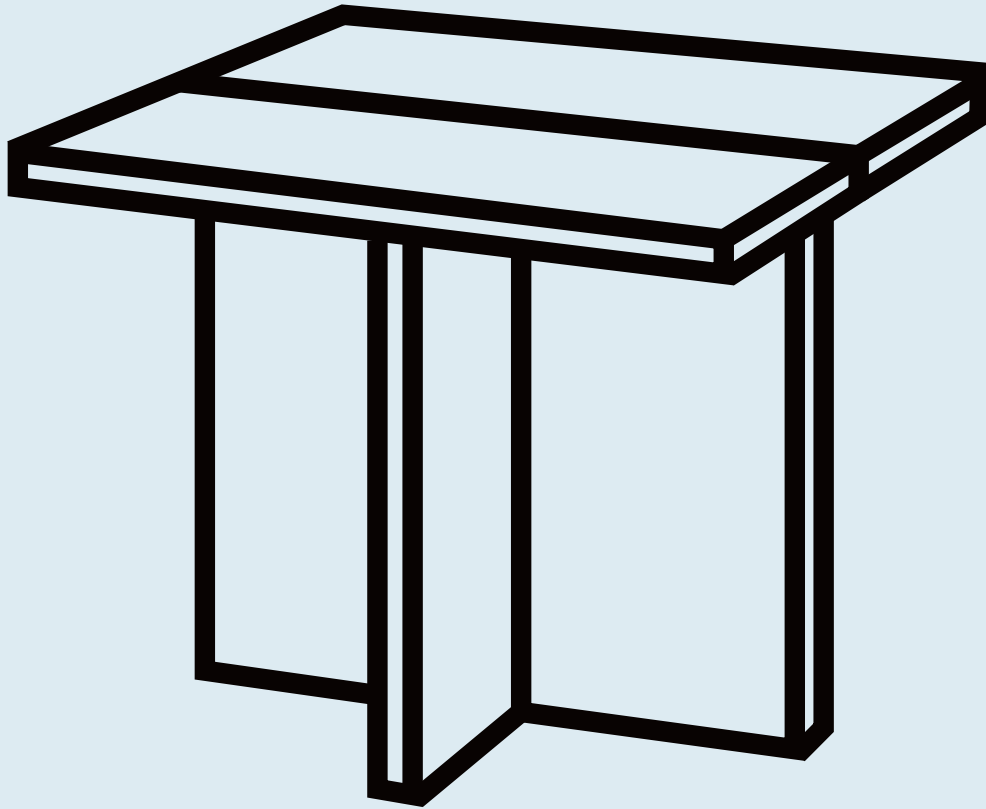


NowThen Outdoor Side Table



DESIGNED IN 2021

ASSEMBLY NOTES | REV 02



NEED A HAND?

Contact us at service@bludot.com or
844.425.8368 for assistance.

@BLUDOT

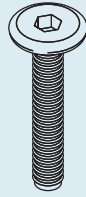
We design all our pieces in our Minneapolis studio. Follow
along on Instagram for some sneak peeks into the process.

Parts & Hardware



QTY 4

Pt. 1229



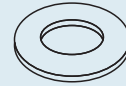
QTY 16

Pt. 1613



QTY 16

Pt. 3001



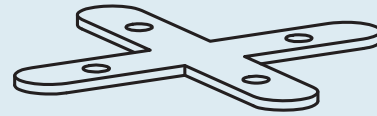
QTY 16

Pt. 3002



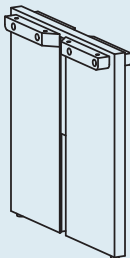
QTY 1

Pt. 9035



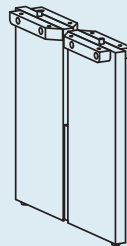
QTY 1

Bottom Bracket



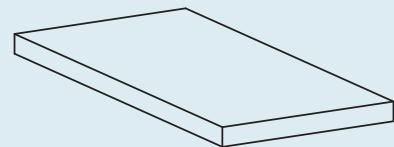
QTY 1

Upper Leg



QTY 1

Lower Leg



QTY 2

Top Panel

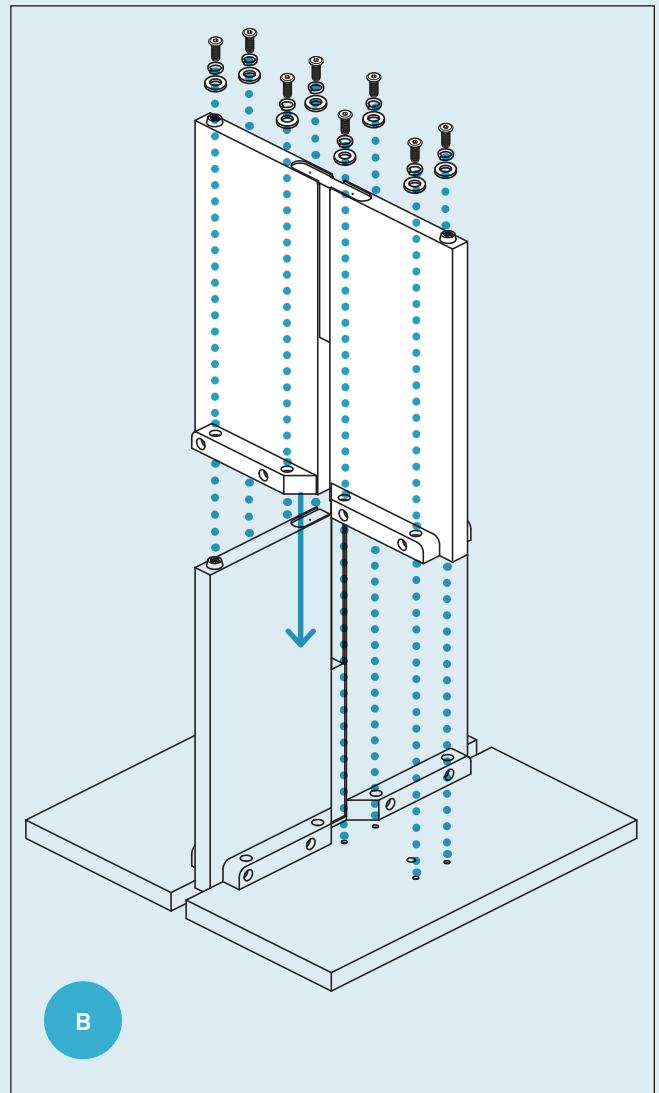
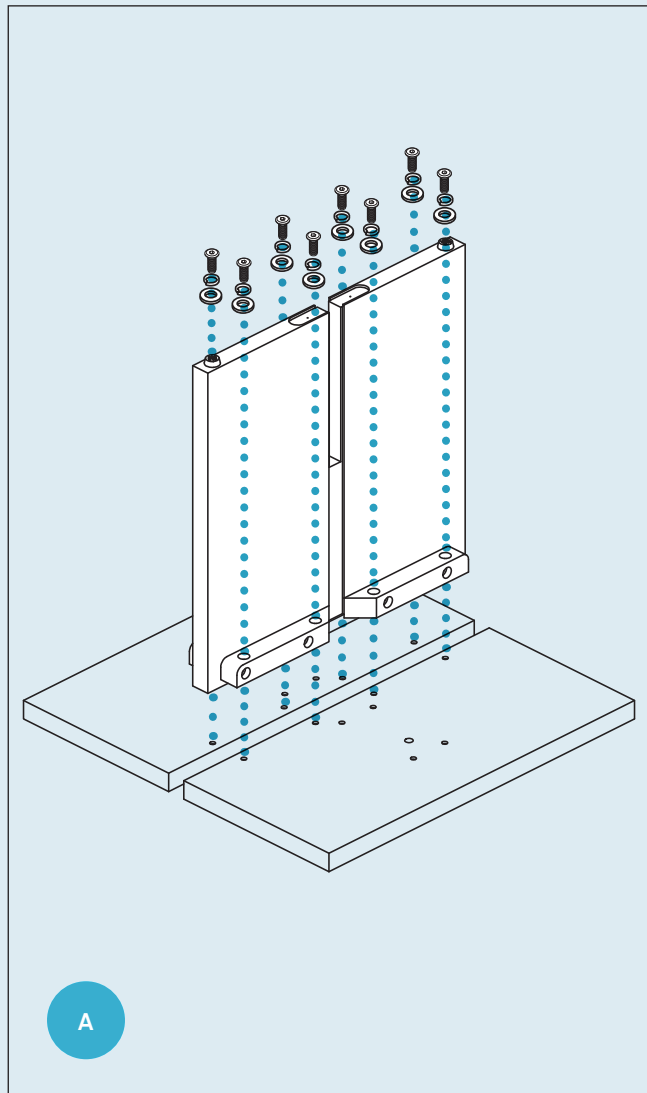
Step 01

ATTACH THE LEGS.

A: Attach the upper leg first using the provided hardware.

B: Then attach the lower leg using the remaining hardware.

Do not tighten the bolts.



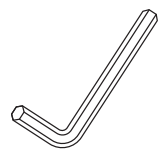
PT. 1613 x 16



PT. 3001 x 16



PT. 3002 x 16



PT. 9035 x 1

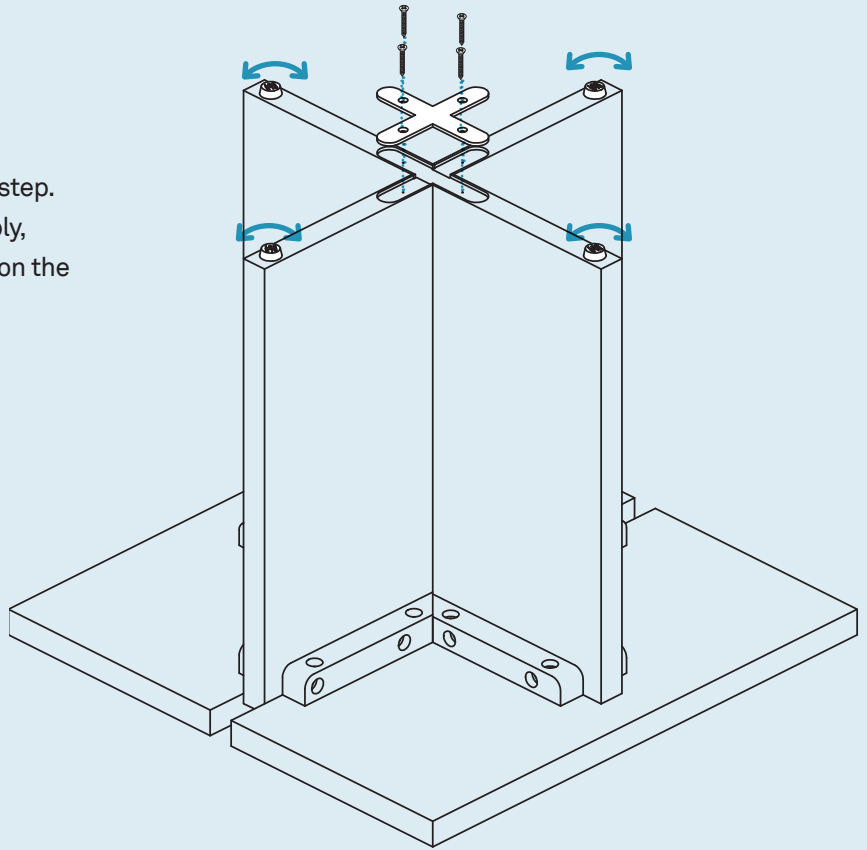
Step 02

ATTACH THE BOTTOM PLATE.

Attach the bottom plate using a phillips screwdriver and the provided hardware.

Tighten the hardware from the previous step.

Note: If the table is wobbly after assembly, level it by twisting the adjustable glides on the bottom.



PT. 1229 x 4

Additional Information

Our teak is sustainably sourced Grade A solid wood. Teak's natural characteristics make it highly suitable for outdoor use. Keep in mind, graining and color may differ between pieces due to natural variations in the wood. Teak also weathers to a silver-gray patina over time. How much and how quickly it changes depends on climate, exposure to elements and level of care. Temperature changes cause teak to naturally expand and contract, sometimes resulting in hairline cracks. This should not affect the structural integrity of the design.

CARING FOR TEAK

Teak's natural oils make it ideal for outdoors—preventing rot and making it resistant to fungus and wood-boring insects. Avoid letting water stand on surfaces. This can cause teak's natural oils to surface and appear as water stains. Over time, exposure to moisture can also raise the wood grain. Simply sand with fine sandpaper to smooth it out.

To keep your teak looking extra pretty, we recommend covering it when not in use. If you prefer your teak less silver-gray, we suggest using Bayes Teak Cleaner and Restorer to help maintain its original color or bring some of it back if already weathered. Apply according to the manufacturers' instructions for best results.

For best results, we recommend the following care: Wipe spills with a clean dry cloth, cover furniture in the off-season, and store indoors during winter months.