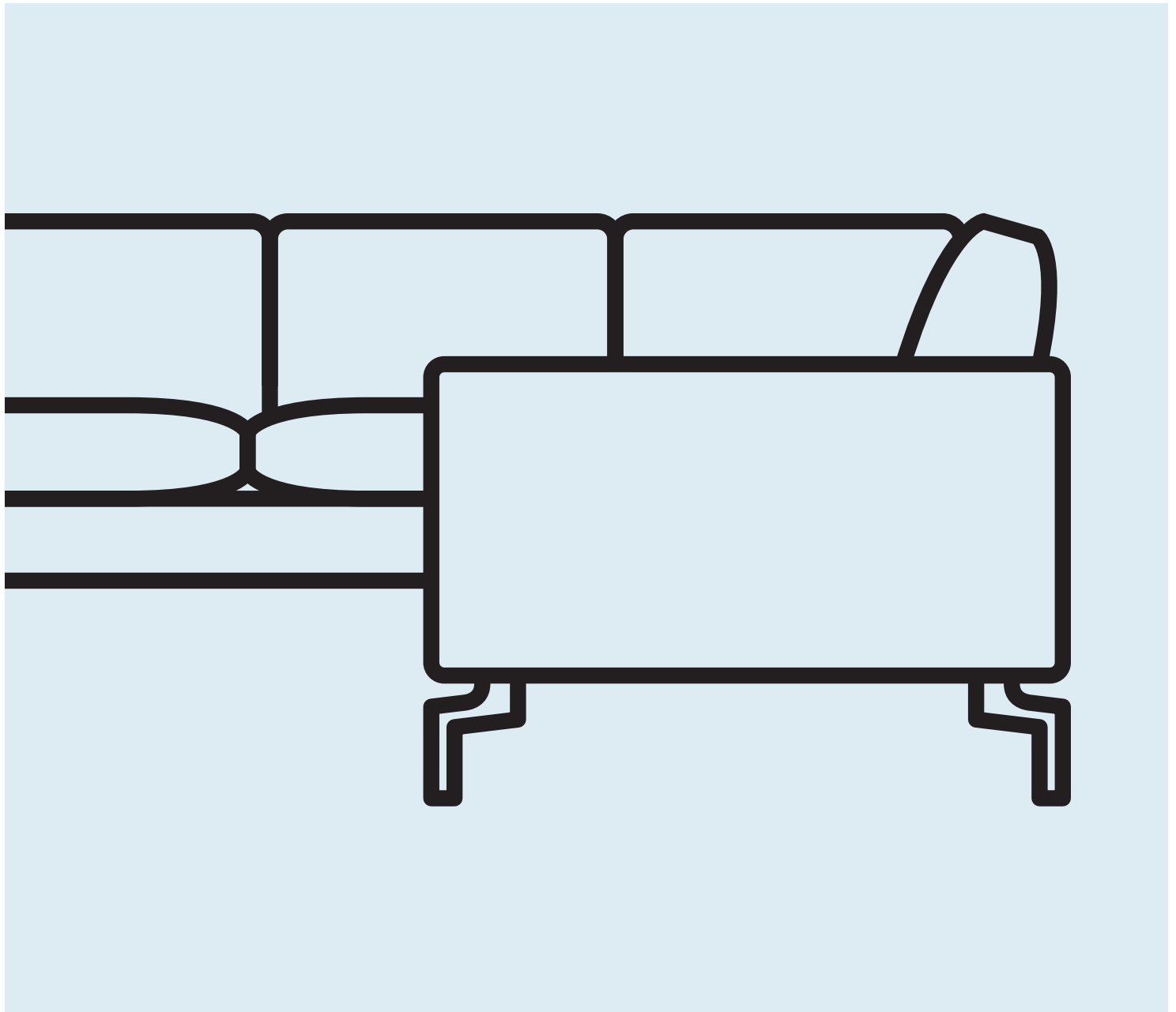


The New Standard Sectional



DESIGNED IN 2014

ASSEMBLY NOTES | REV 01



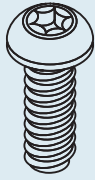
SIZE DOES MATTER.

The New Standard is simplicity at its best - with a twist.

NEED A HAND?

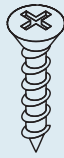
Contact us at service@bludot.com or
844.425.8368 for assistance.

Parts & Hardware



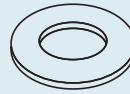
QTY 16

Pt. 1697



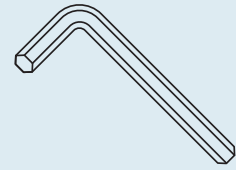
QTY 6

Pt. 1216



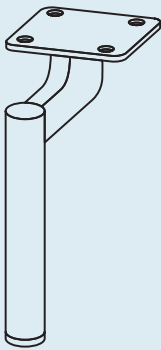
QTY 16

Pt. 3004



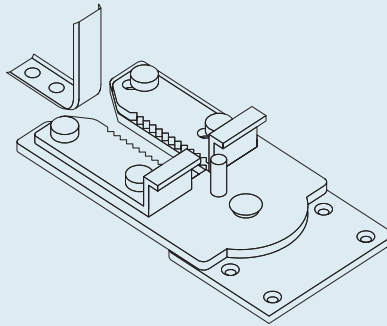
QTY 1

Pt. 9033



QTY 4

Foot



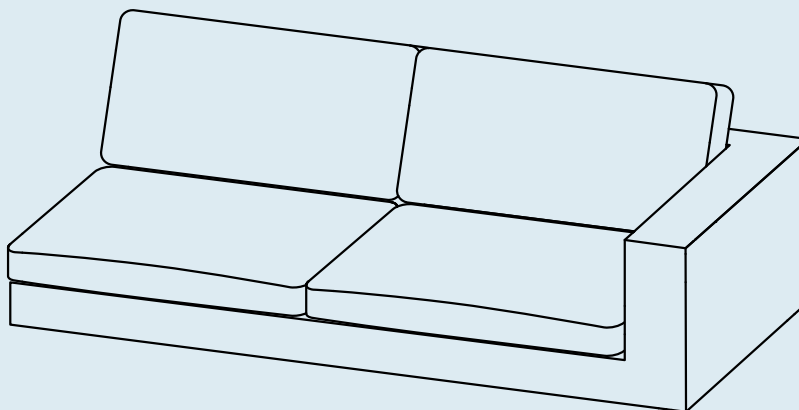
QTY 1

Pt. 8034



QTY 1

Center Foot*



QTY 1

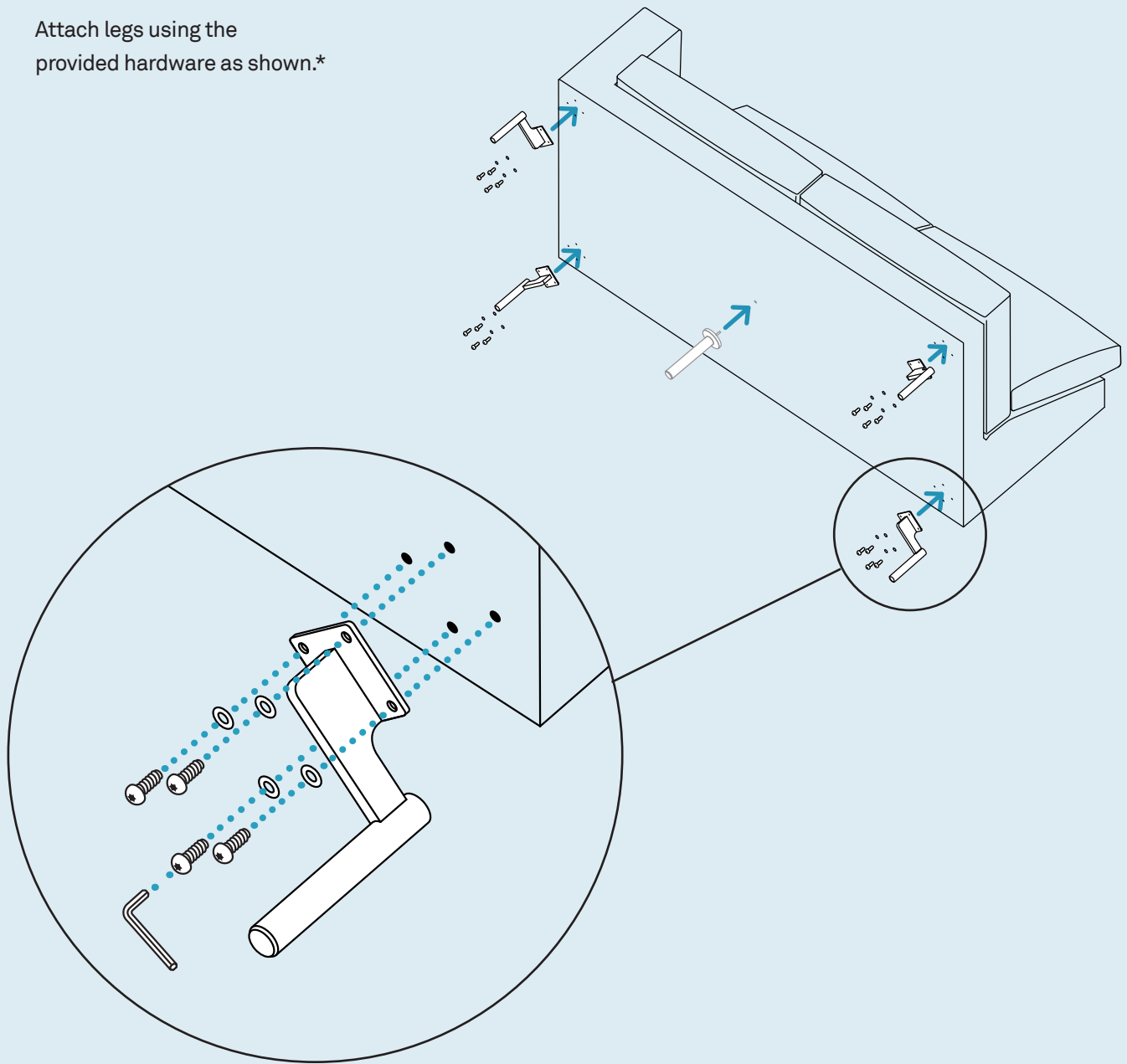
Sectional

*For large and corner sofas only

Step 01

ATTACH THE LEGS

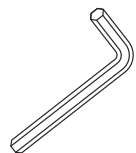
Attach legs using the provided hardware as shown.*



Pt. 1697 x 16



Pt. 3004 x 16



Pt. 9033 x 1

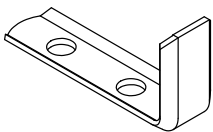
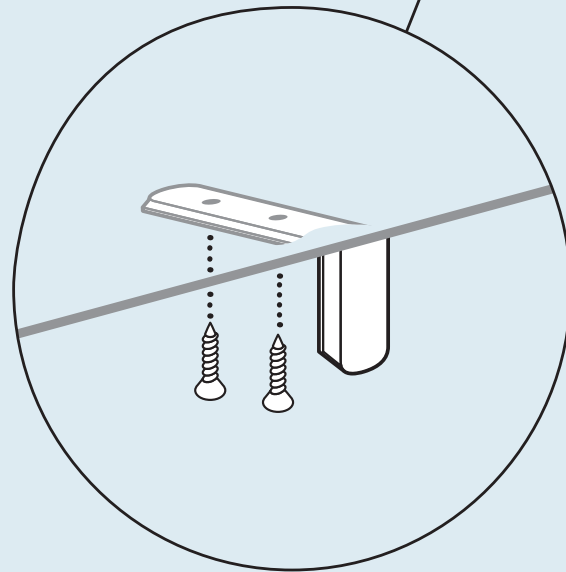
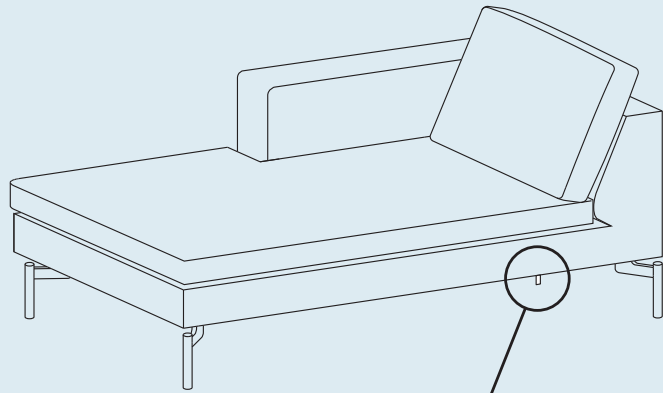
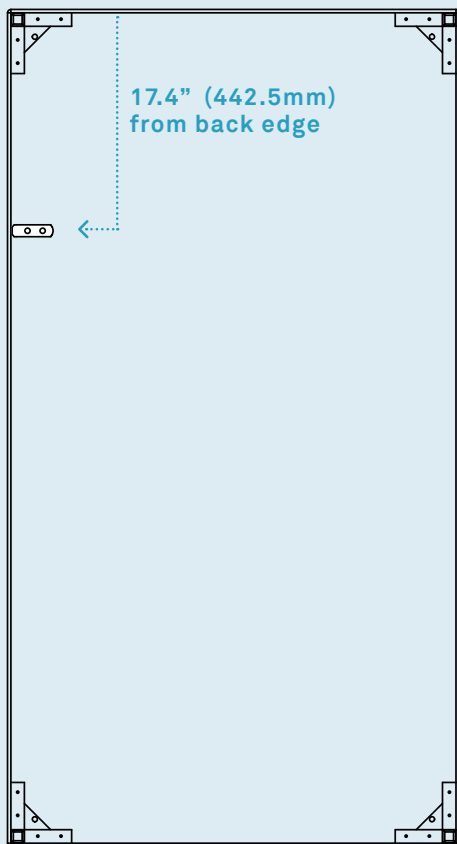
*For large and corner sofas, don't forget to install the center foot.

Step 02

ATTACH MALE SECTIONAL CONNECTOR.

This hardware allows proper alignment of the sectional sofas and holds them in place during use.

Underside of Chaise



Pt. 8034 x 1



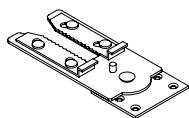
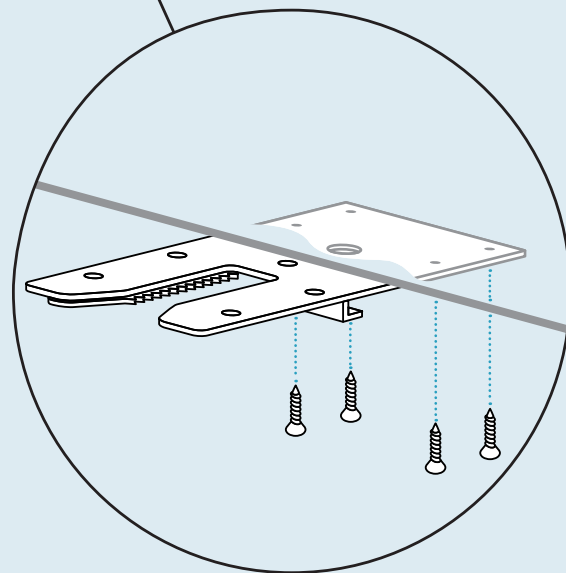
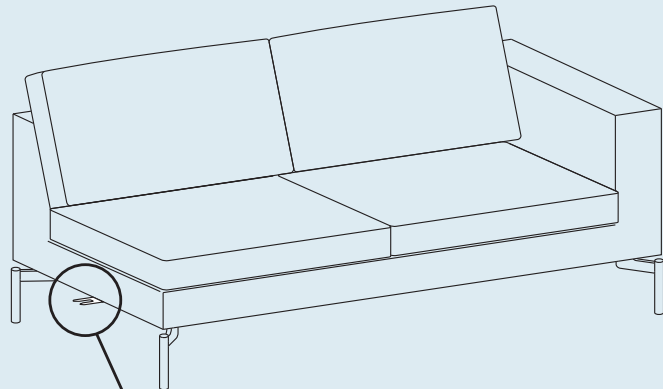
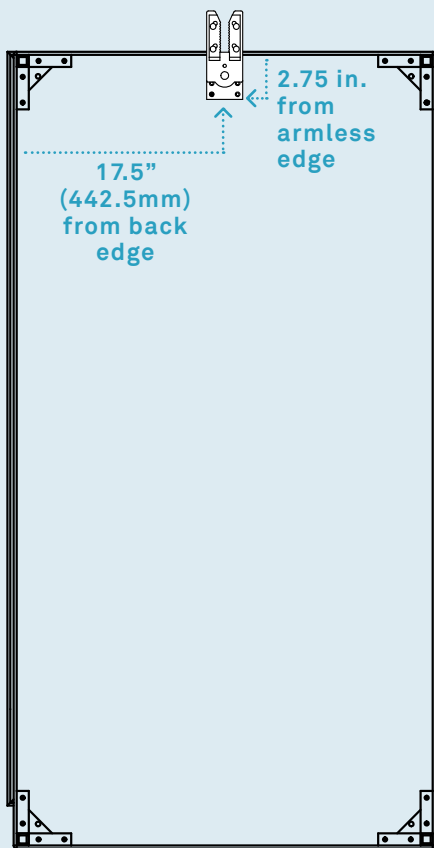
PT. 1216 x 2

Step 03

ATTACH FEMALE SECTIONAL CONNECTOR

This hardware allows proper alignment of the sectional sofas and holds them in place during use.

Underside of One Arm Sofa



Pt. 8034 x 1



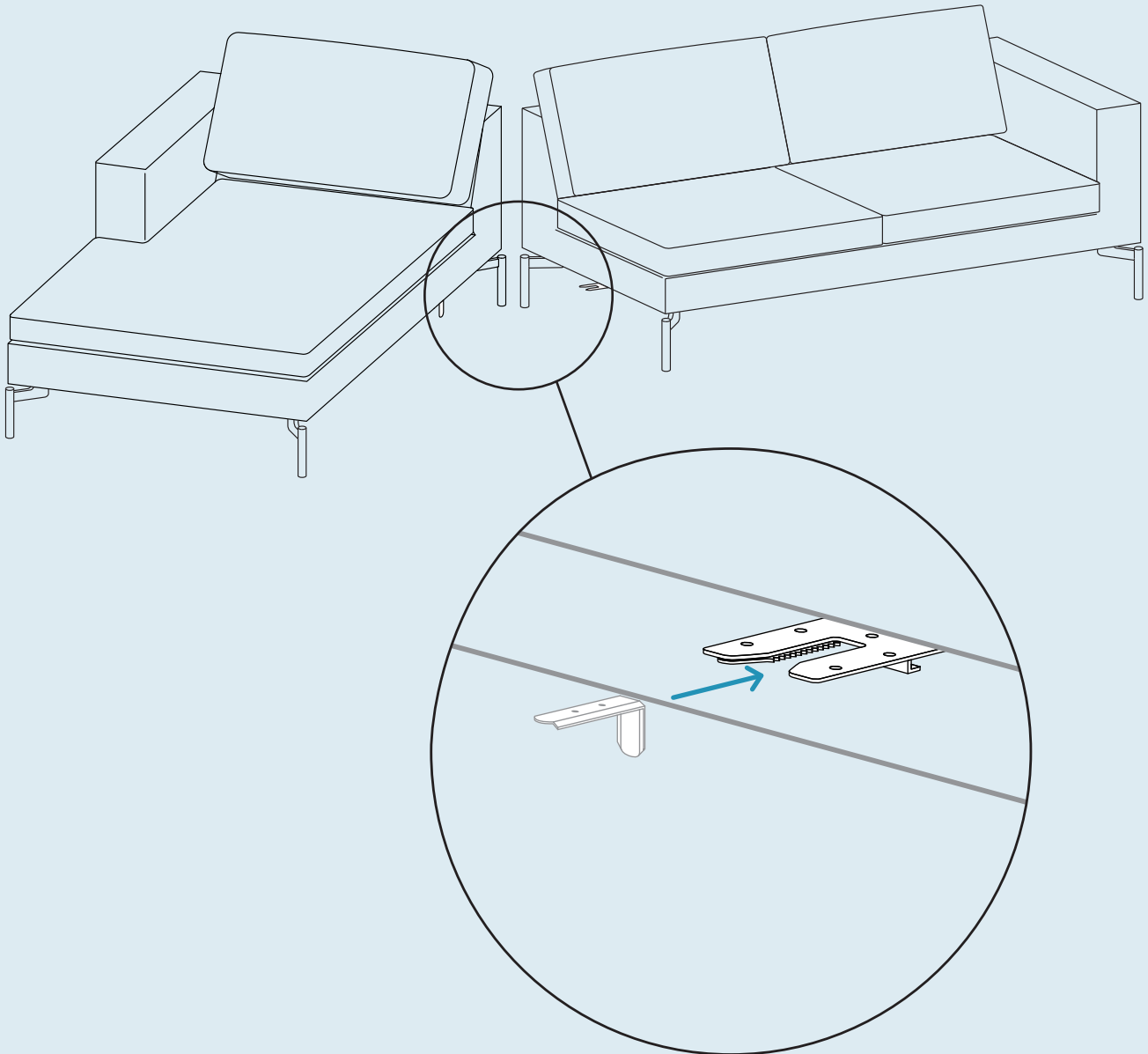
PT. 1216 x 4

Step 04

CONNECT SECTIONAL SOFAS.

With back sides aligned, carefully slide sectional sofas together.

Make sure sectional connector latches for a secure placement.



Additional Information

CLEAN

Vacuum your upholstery regularly.

SPILLS

Act quickly with spills. Absorb the spill with a clean white cloth or paper towel. Never rub the surface. Do not use water or other liquids to clean, as they may stain the fabric. Consult a commercial cleaning specialist for removal of stubborn stains.

AVOID

Keep upholstery & felt furniture out of direct sunlight and away from heat sources; excessive exposure to sunlight may fade the color of the upholstery. Avoid placing heavy or sharp objects on the furniture surface for long periods of time; this can cause permanent indentations in the fabric. For snags in the fabric, tuck loose threads into fabric or carefully push to reverse side. Never pull out or cut off loose threads.

