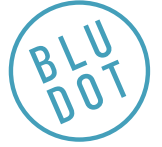
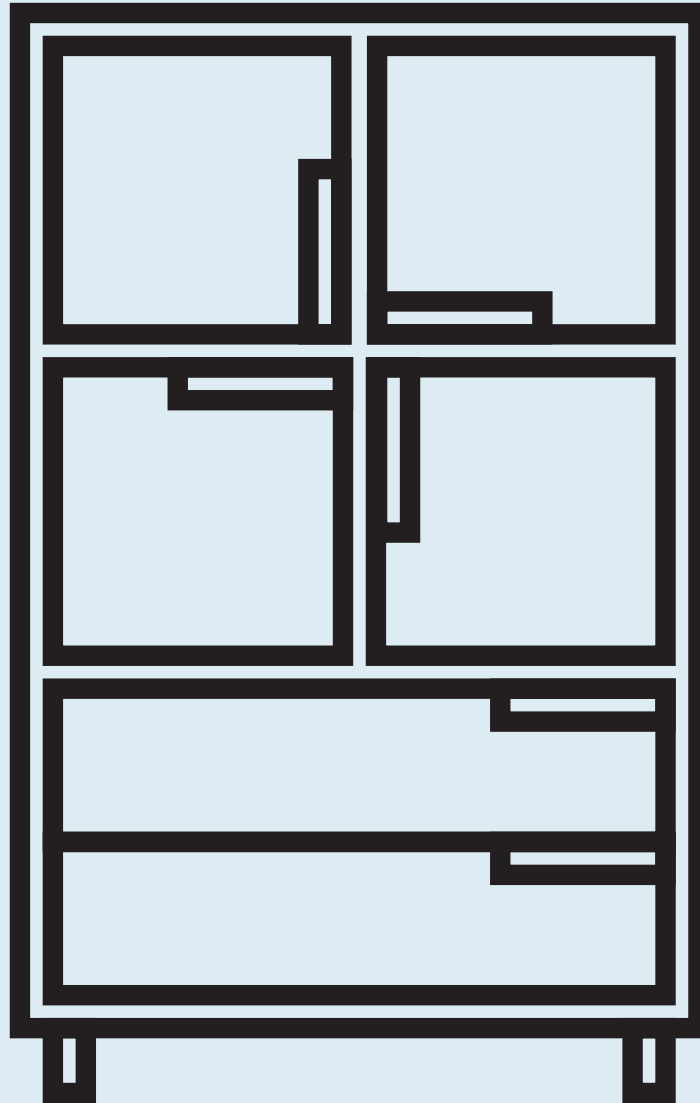


Modu-licious Collection



DESIGNED IN 1999

ASSEMBLY NOTES | REV 02



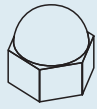
NEED A HAND?

Contact us at service@bludot.com or
844.425.8368 for assistance.

@BLUDOT

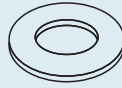
We design all our pieces in our Minneapolis studio. Follow
along on Instagram for some sneak peeks into the process.

Parts & Hardware



QTY 4*

Pt. 2003



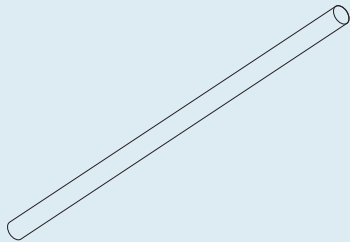
QTY 4*

Pt. 3015



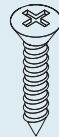
QTY 4*

Pt. 8016



QTY 4*

Pt. 8014



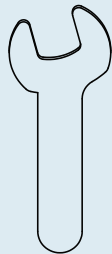
QTY 2

Pt. 1217



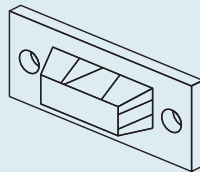
QTY 2

Pt. 1218



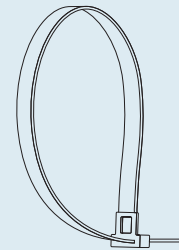
QTY 1*

Pt. 9036



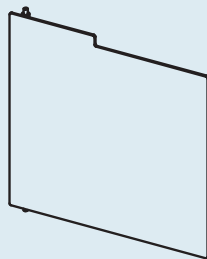
QTY 2

Pt. 8041



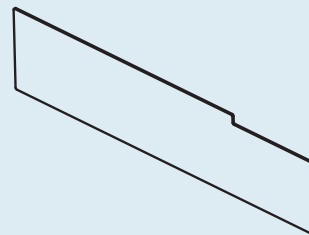
QTY 1

Pt. 8042



QTY 4*

Door



QTY 2*

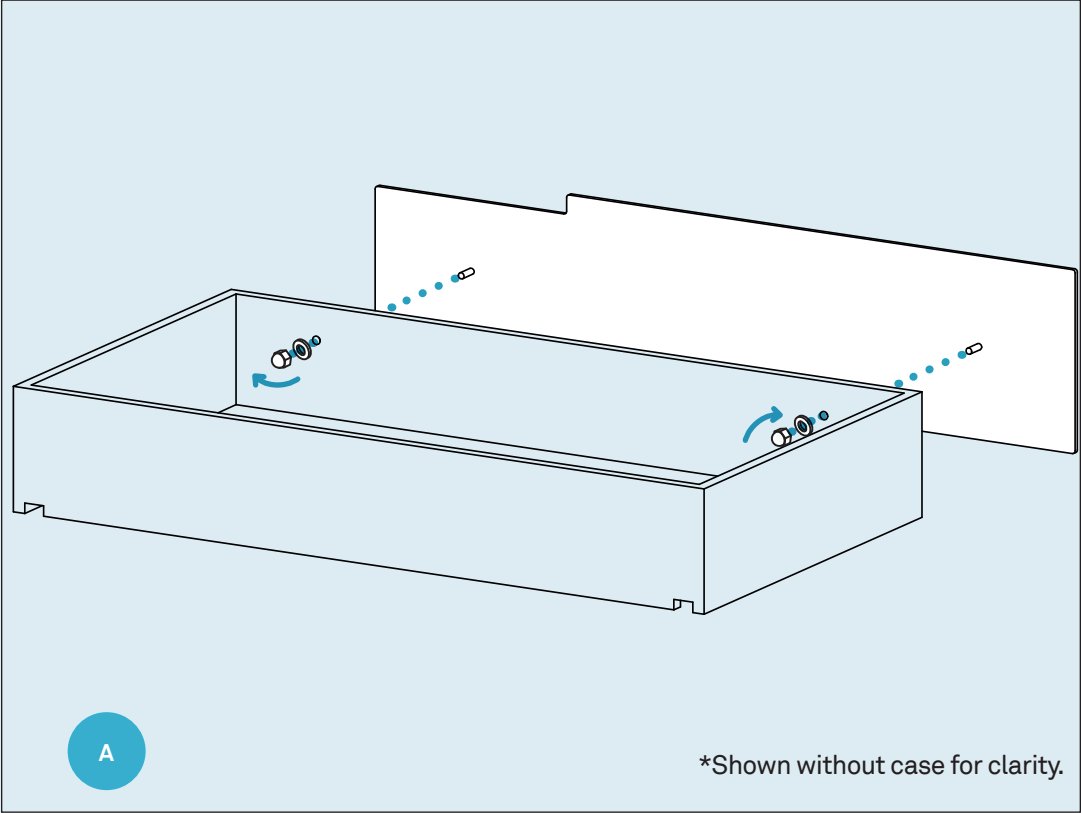
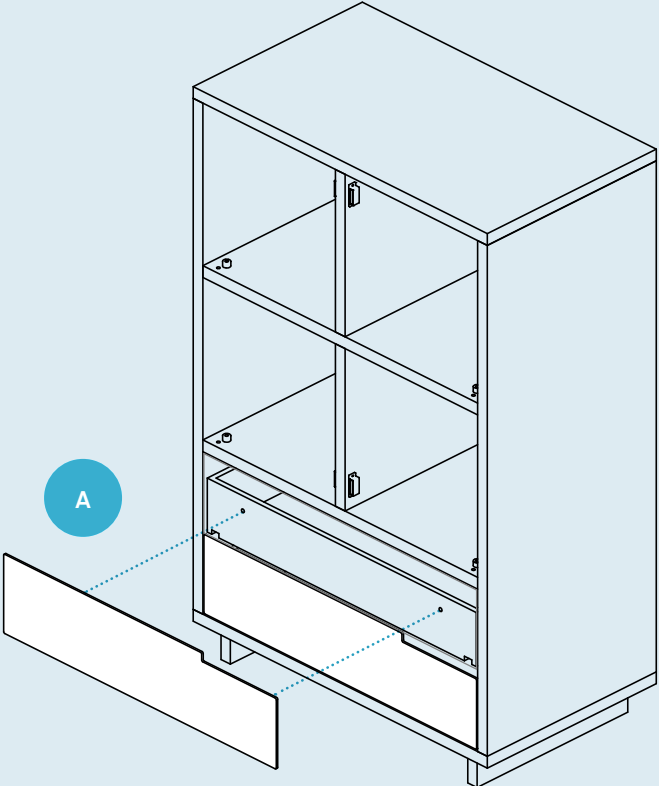
Drawer Front

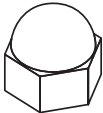

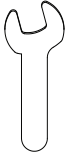
*Part quantities vary by collection

Step 01

ATTACHING THE DRAWER FRONTS.

Attach each drawer front by opening the drawer and slotting the two studs into the front of the drawer. Secure the drawer with the provided hardware as shown.



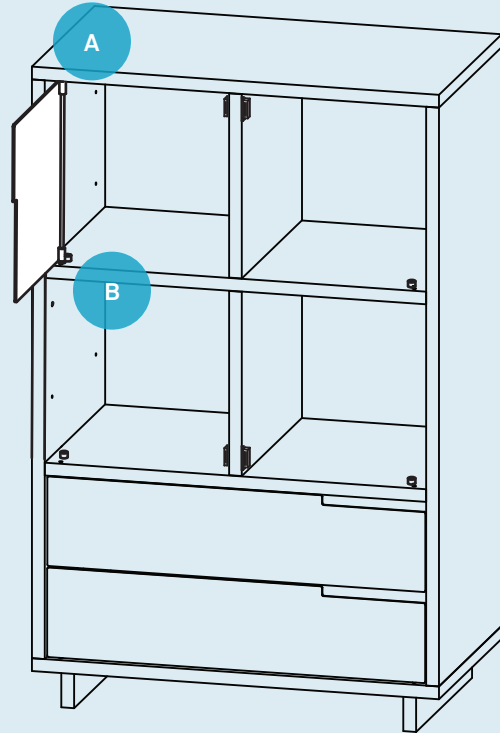
- 
PT. 2003 X 4
- 
PT. 3015 X 4
- 
PT. 9036 X 1

Step 02

INSTALL DOORS.

To install the doors, start by sliding the metal rod through the brackets on the back of each door.

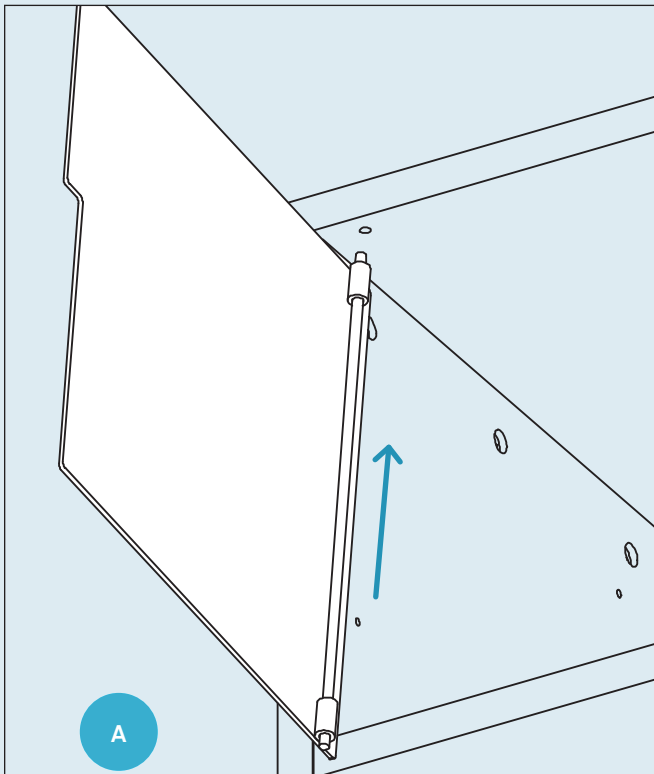
Next, install the doors as shown below.



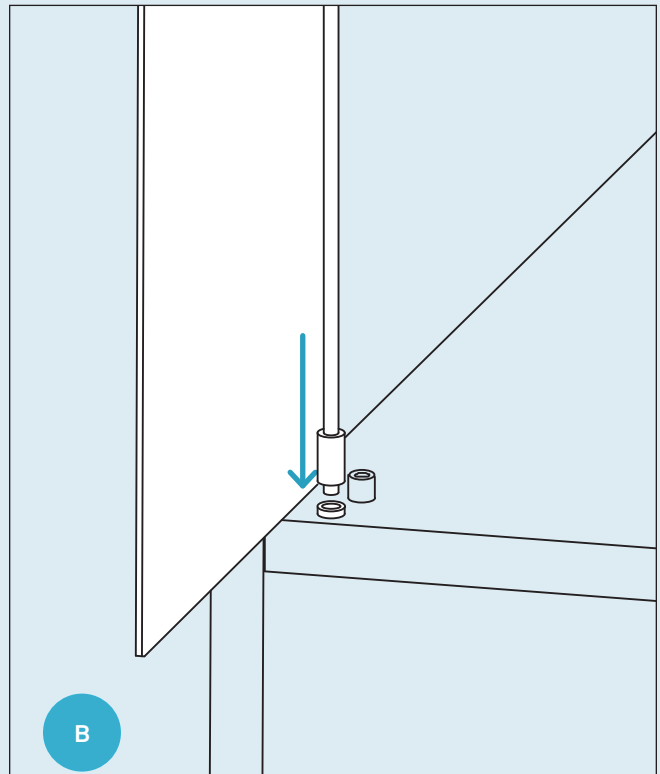
PT. 8016 x 4



PT. 8014 x 4



Angle door and push rod into the pre-drilled hole on the underside of the top panel.

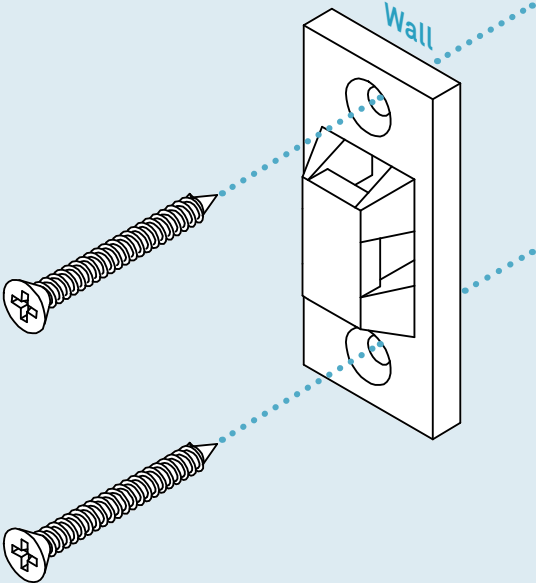
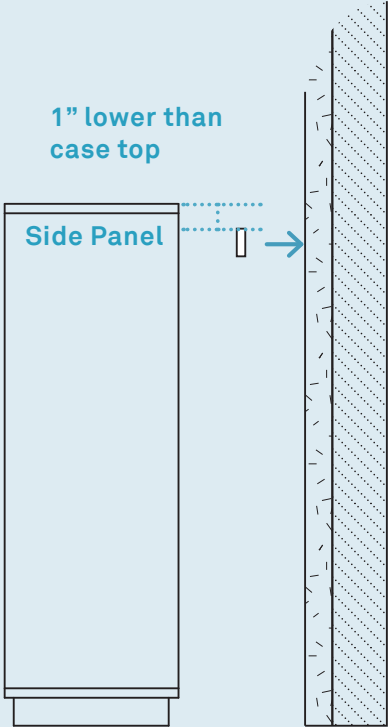


Align rod with with lower pre-drilled hole. Slide rod through plastic washer and into pre-drilled hole.

Step 03

ATTACH ANTI-TIP BRACKET TO WALL.

Install anti-tip bracket to wall stud 1-inch below case top panel height.



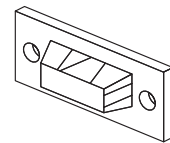
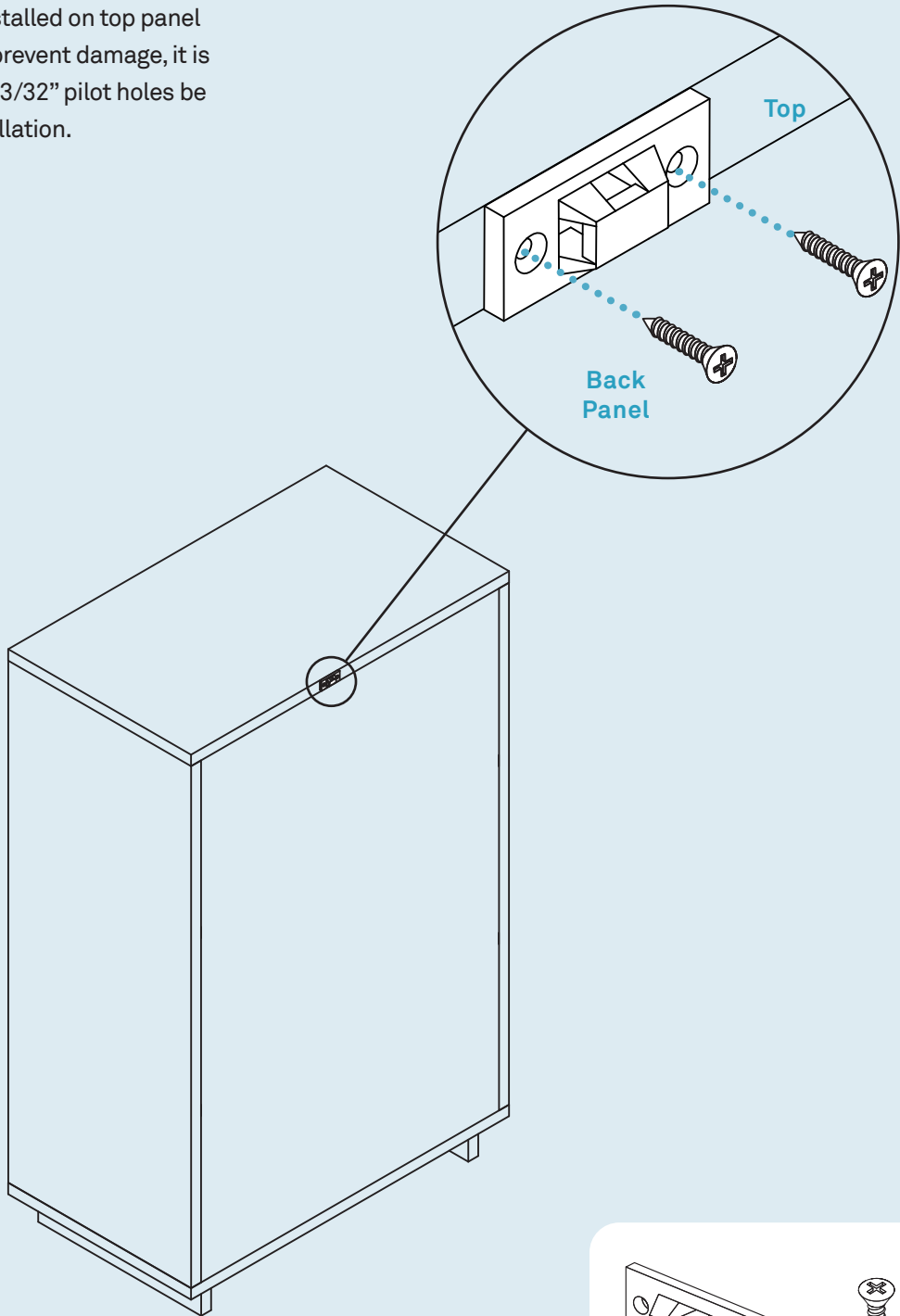
PT. 8041 X 1

PT. 1218 X 2

Step 04

INSTALL ANTI-TIP BRACKET TO CASE.

Bracket must be installed on top panel of case. In order to prevent damage, it is recommended that 3/32" pilot holes be drilled prior to installation.



PT. 8041 x 1

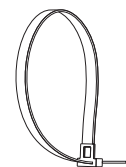
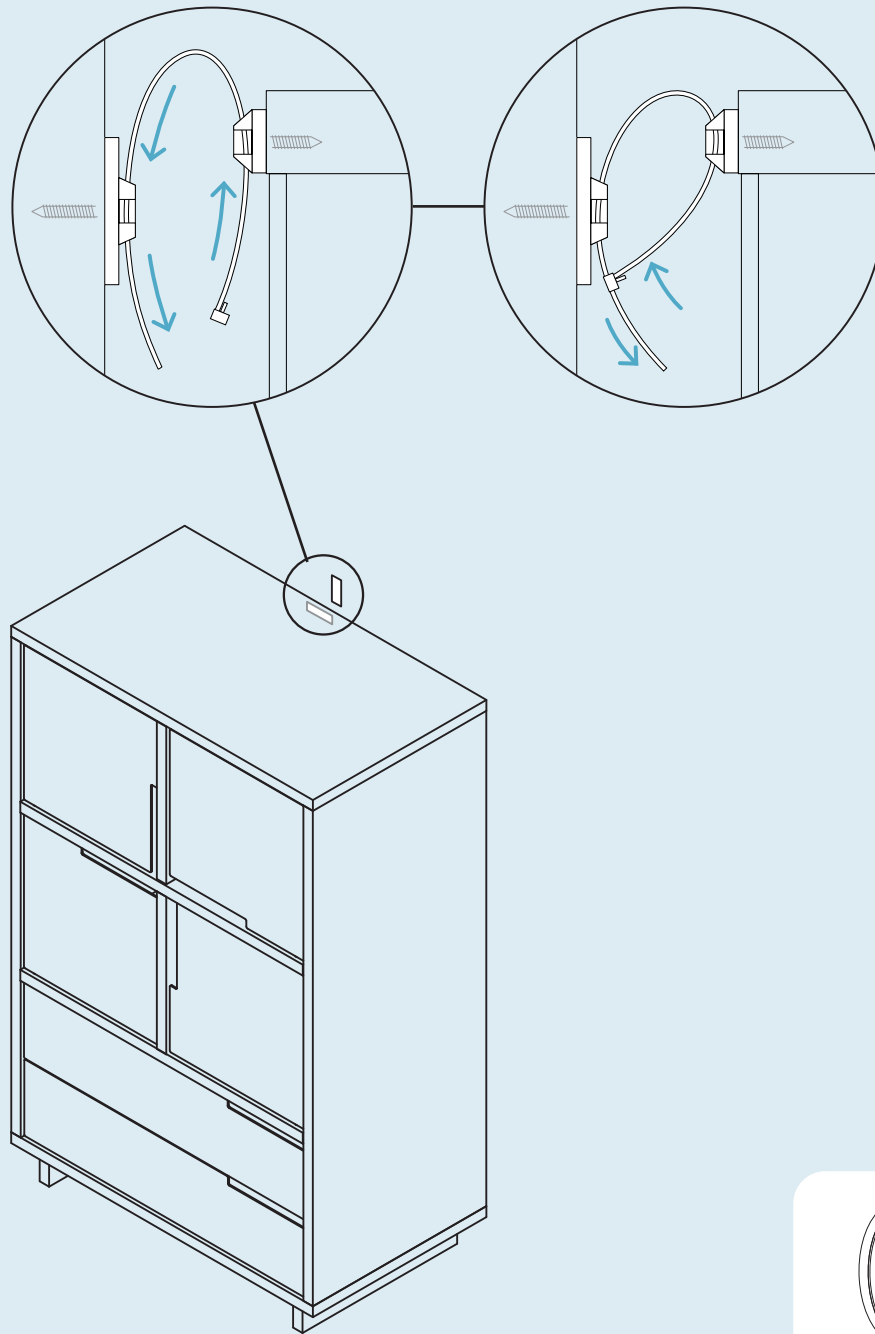


PT. 1217 x 2

Step 05

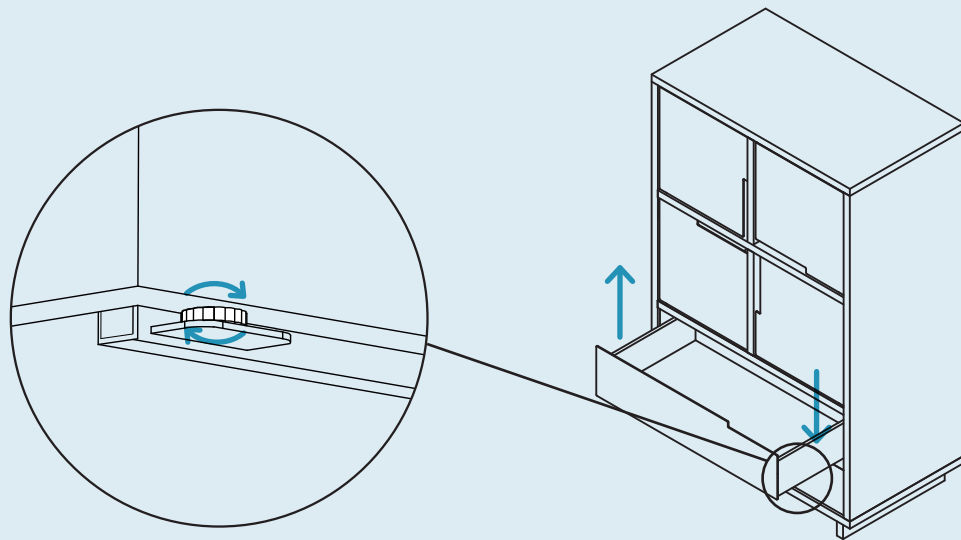
SECURE THE CASE.

Install and tighten the strap prior to using the product.



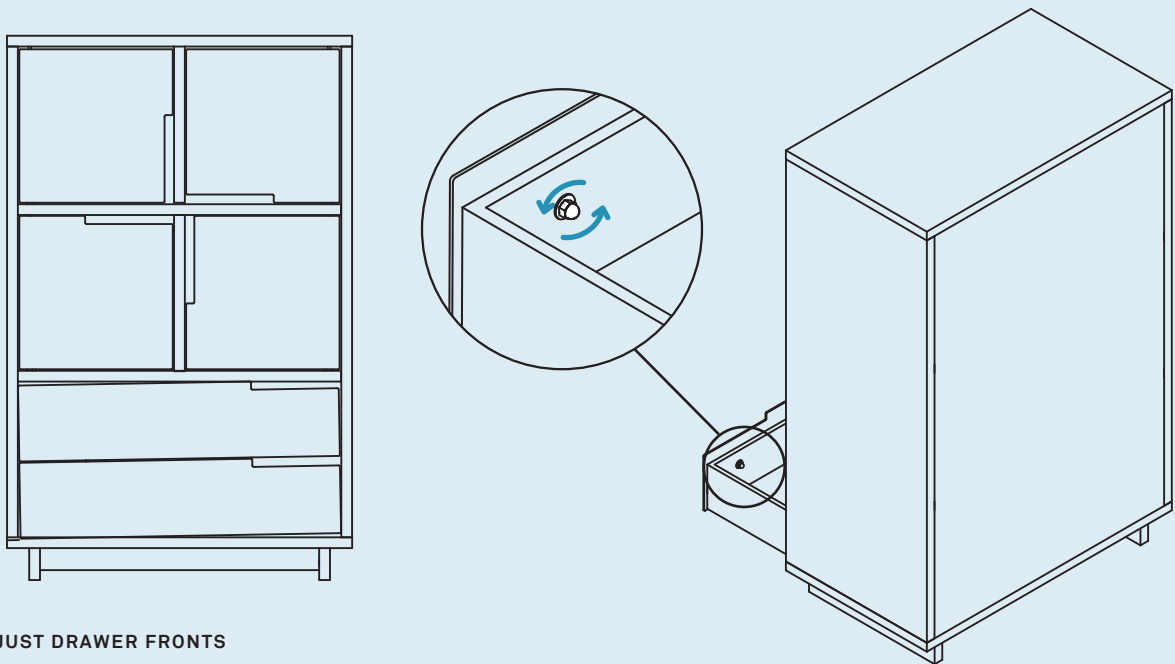
PT. 8042 x 1

Additional Information



TO ADJUST DRAWER POSITION

Lift the drawer up slightly and twist the levelers to the desired position.



TO ADJUST DRAWER FRONTS

Loosen the acorn nuts, adjust drawer front, re-tighten acorn nuts.

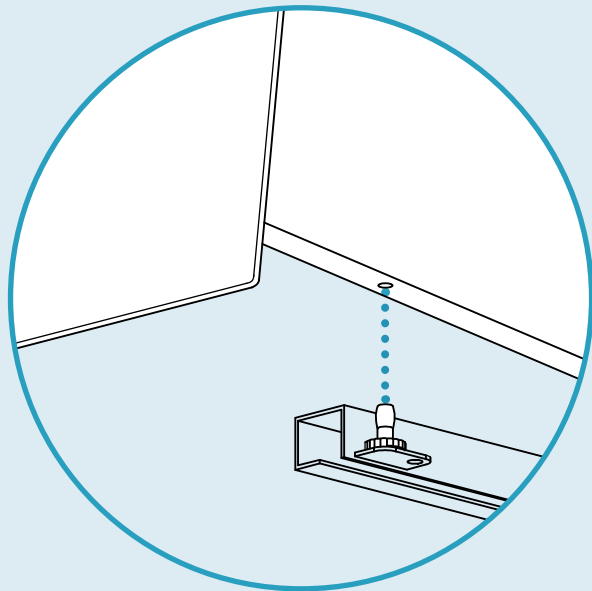
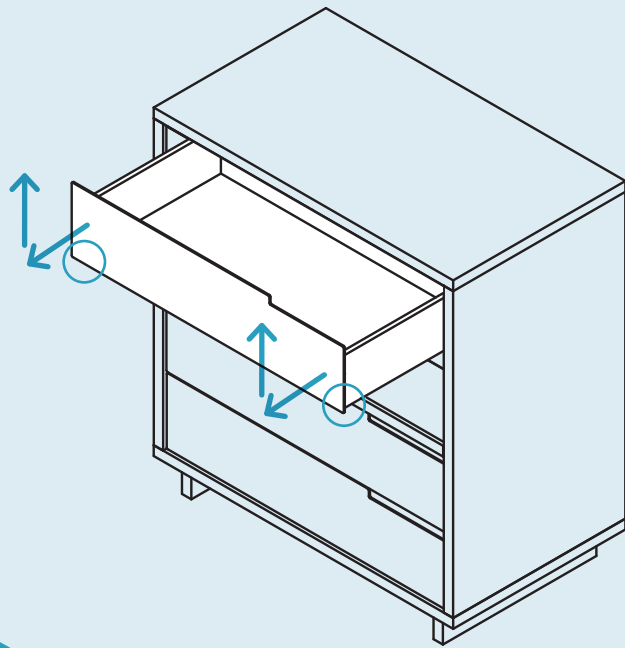
Drawer Removal

REMOVE DRAWERS.

Extend the drawer completely and lift upwards to remove drawers as shown.

To reinstall, lower drawer front into place and push closed.

NOTE: The Modu-licious #4 and #5 come with an interlock system and requires additional steps for drawer removal and re-installation. See page 10 for details.



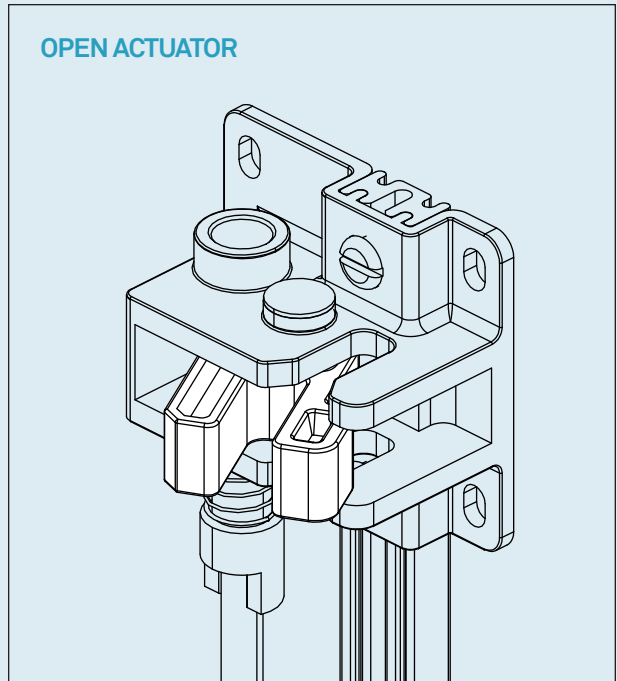
Interlock System

INSTRUCTIONS FOR MODU-LICIOUS #4 AND #5.

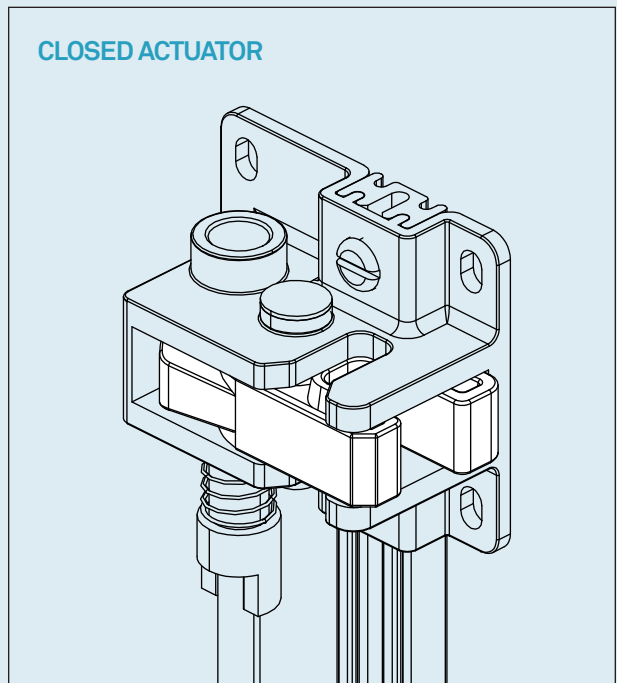
Any single drawer can be easily removed. The interlock will re-engage when the drawer is reinserted and closed. If multiple drawers needs to be removed, the following procedure must be used:

1. Remove the 1st drawer.
2. Reach inside the back of the case and move the actuator to the 'CLOSED' position.
3. This will allow a 2nd drawer to be removed.
4. To remove a 3rd drawer, move the actuator to the 'CLOSED' position for the 2nd drawer.
5. Continue until all the drawers are removed.

OPEN ACTUATOR



CLOSED ACTUATOR



Interlock System

INSTRUCTIONS FOR MODU-LICIOUS #4 AND #5.

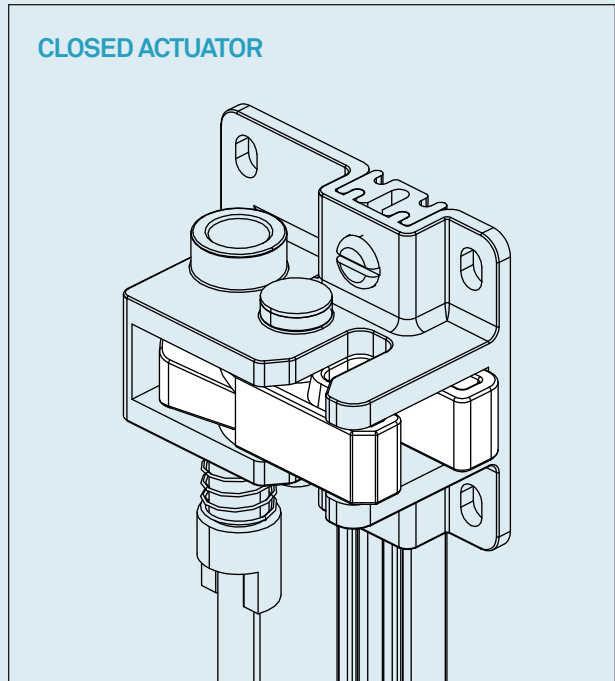
To install the drawers, the rear actuators must be moved to the 'OPEN' position for each drawer being installed. Only 1 actuator can be moved at a time.

CAUTION: Do not install and slam any drawer shut with the actuator in the 'CLOSED' position. This may damage the actuator or bend the latch which could cause the system to malfunction.

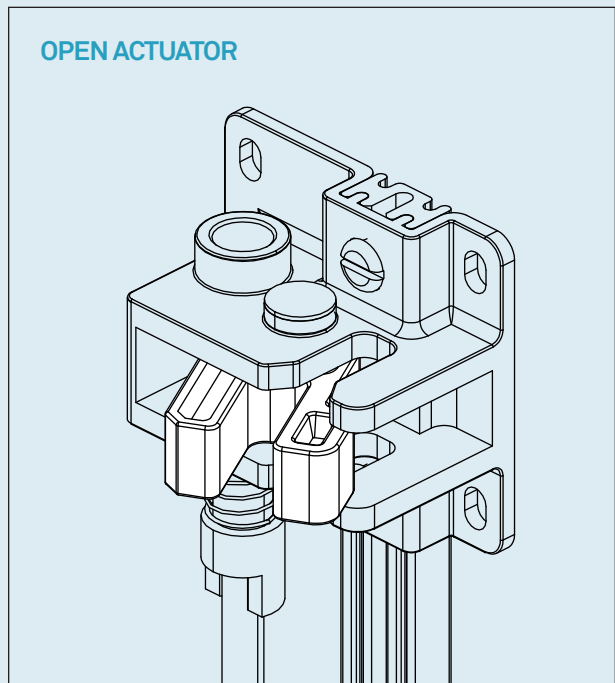
To reinstall the drawers, the following procedure must be used:



1. To install the 1st drawer, reach inside the back of the case and move the corresponding actuator to the 'OPEN' position.
2. Insert the drawer and slowly close until the interlock engages.
3. To install the 2nd drawer, reach inside to the back of the case and move this actuator to the 'OPEN' position.
4. Continue the installation with each successive drawer.

CLOSED ACTUATOR



OPEN ACTUATOR



⚠ WARNING	
	<p>Children have died from furniture tipover. To reduce the risk of furniture tipover:</p> <ul style="list-style-type: none">• ALWAYS install anti-tip device provided.• NEVER put a TV on this product.• NEVER allow children to stand, climb or hang on any drawers, doors, or shelves.• NEVER open more than one drawer at a time.• DO NOT defeat or remove the drawer interlock system; it is an important stability and safety system.• Place heaviest items in the lowest drawers. <p><i>This is a permanent label. Do not remove!</i></p>
	

Warning applicable to Modu-licious #4 and Modu-licious #5

Additional Information

CAUTION

Do not store clothing in this product unless it specifically indicated for that purpose. The items within this collection intended for clothing storage include the: Modu-licious #4 and Modu-licious #5

CLEAN

Clean with a slightly damp, soft cloth. To remove dirt and fingerprints, use a quality cleaner formulated for wood furniture. Wipe completely dry with a soft cloth in the direction of the wood grain.

