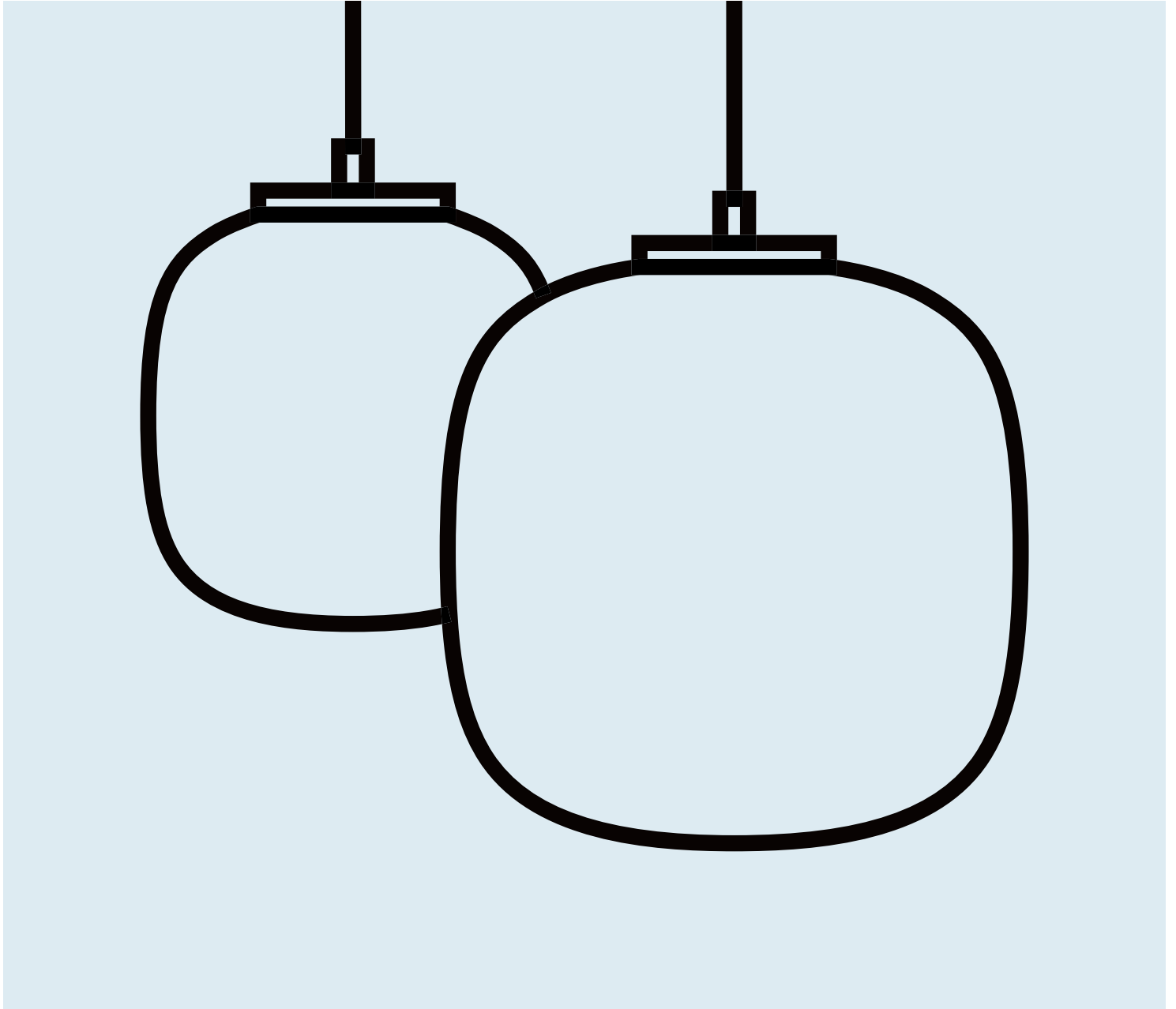
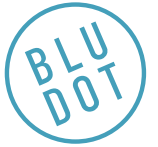


Midwinter Pendant

DESIGNED IN 2022

ASSEMBLY NOTES | REV 01



NEED A HAND?

Contact us at service@bludot.com or **844.425.8368** for assistance.

@BLUDOT

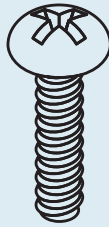
We design all our pieces in our Minneapolis studio. Follow along on Instagram for some sneak peeks into the process.

Parts & Hardware



QTY _____ 2

PT. 1061



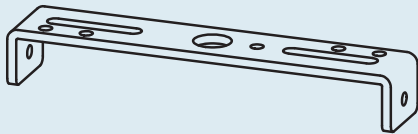
QTY _____ 2

PT. 1060



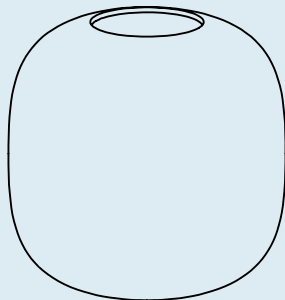
QTY _____ 3

PT. 8021



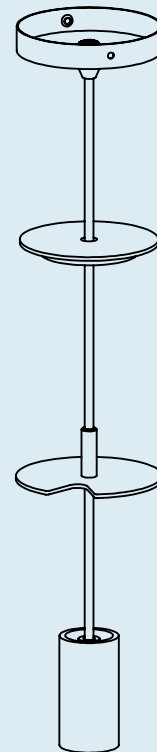
QTY _____ 1

Mounting Bracket



QTY _____ 1

Glass Shade



QTY _____ 1

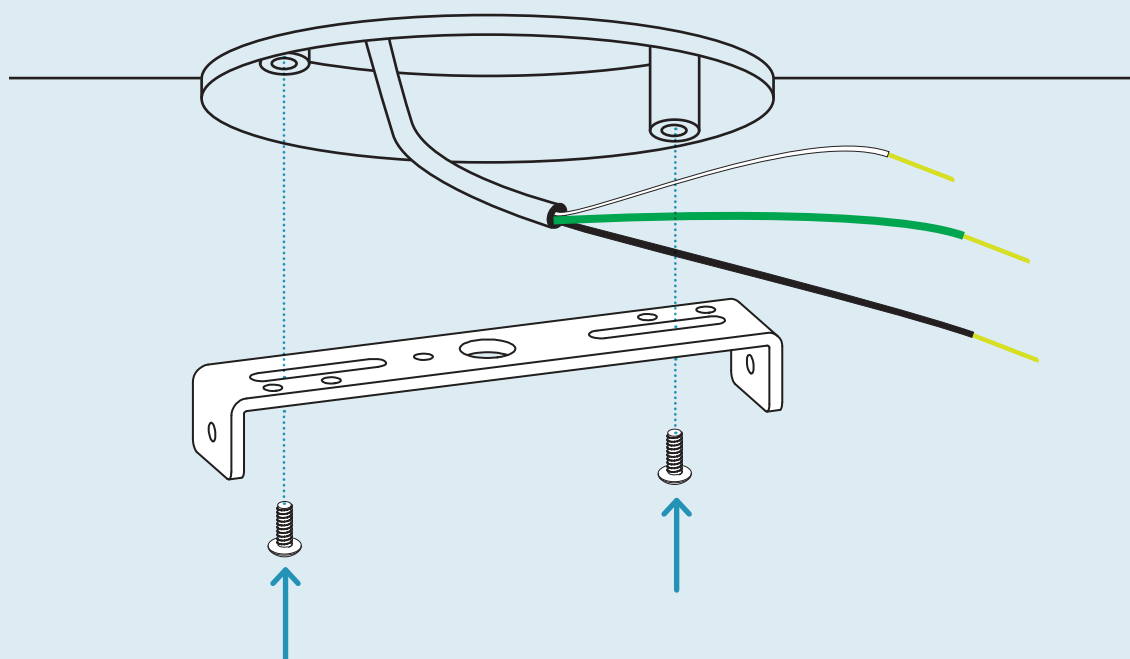
Pendant

NOTE: Electricity is dangerous. It is recommended to hire a professional electrician to install your lamp.

Step 01

ATTACH MOUNTING BRACKET.

1. Disconnect power.
2. Attach mounting bracket to ceiling electrical box as shown using the provided hardware.

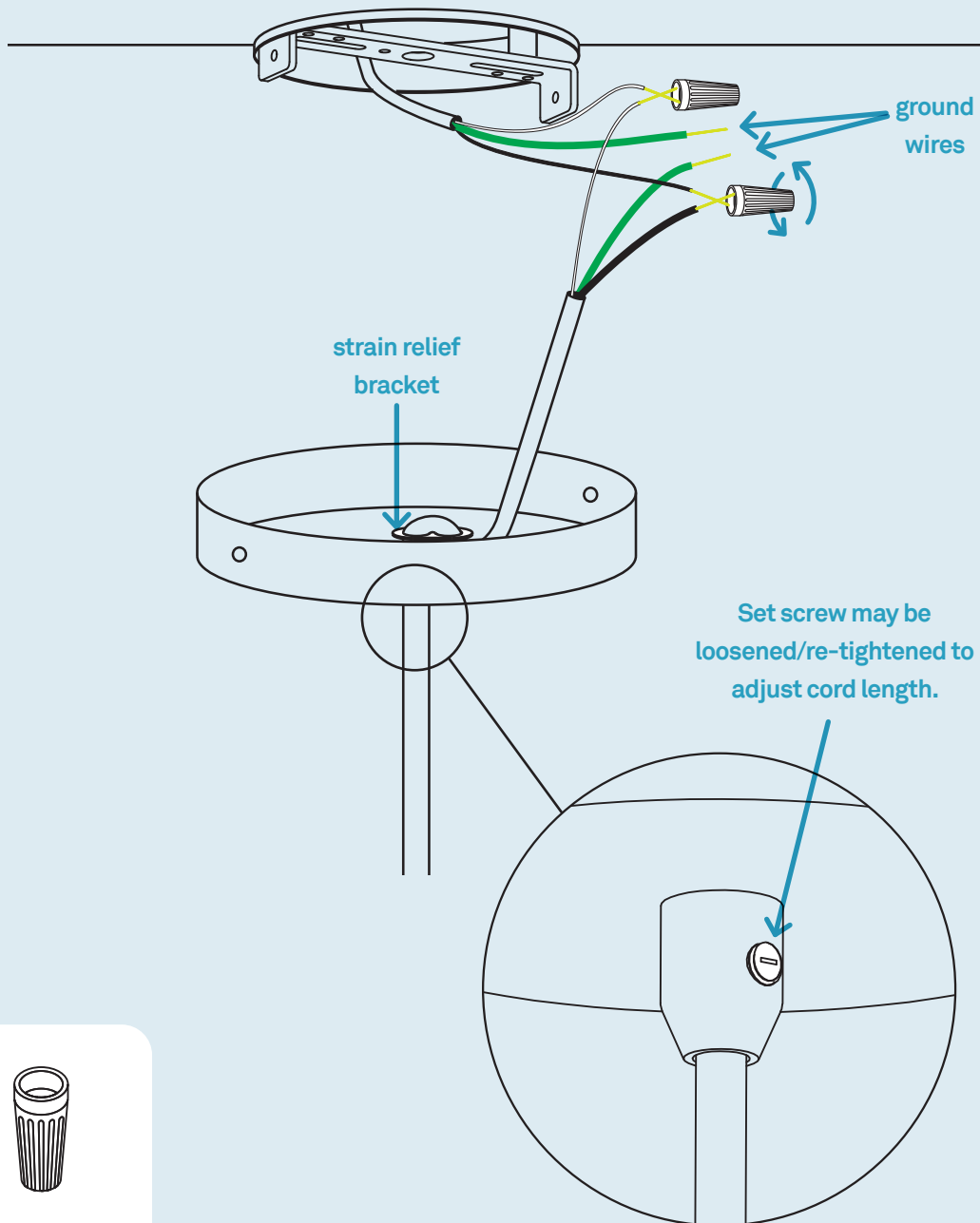


PT. 1060 x 2

Step 02

HARDWIRE PENDANT.

1. Cut pendant cord to desired length, allow 4" above canopy for wiring.
2. Twist matching copper wires together.
 - white to white
 - black to black

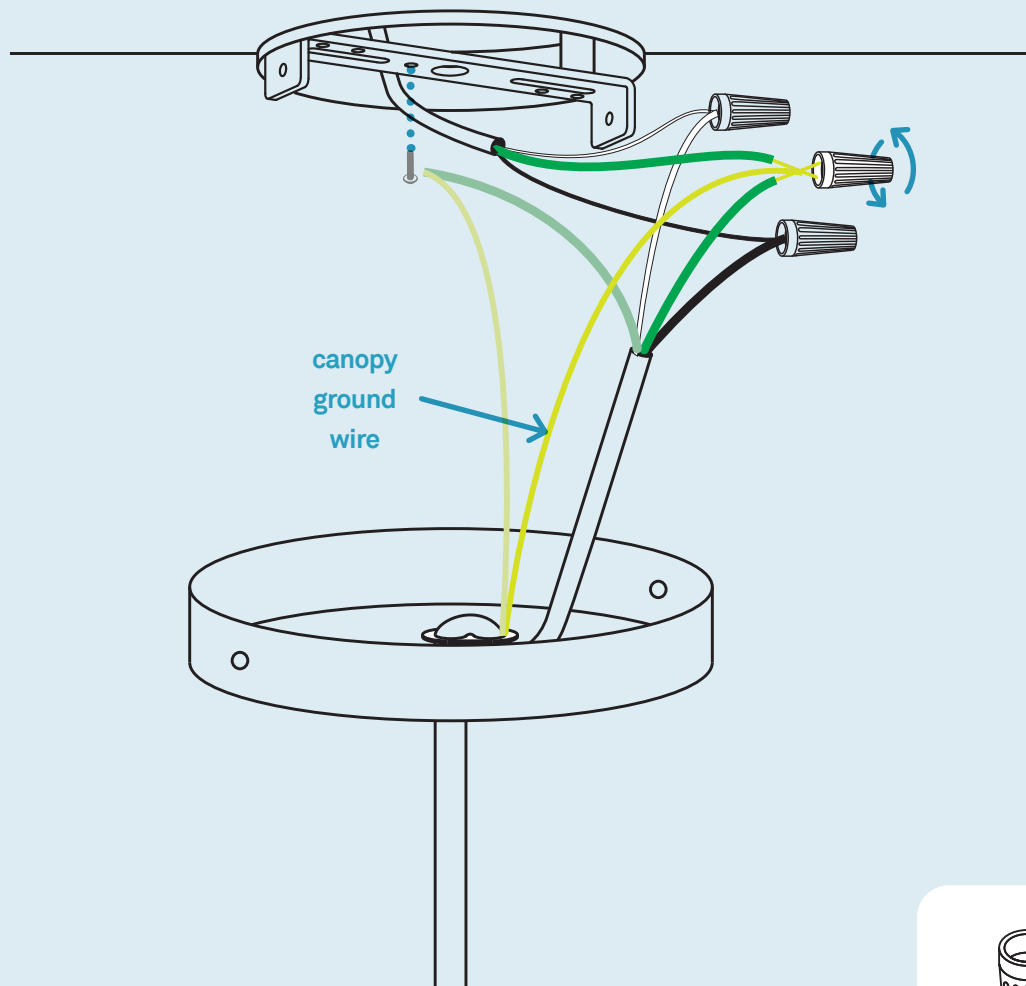


PT. 8021 x 2

Step 03

GROUND PENDANT.

1. Locate bare copper wire inside pendant canopy.
2. Twist matching copper wires together in addition to bare canopy wire.
3. If no green wire (ground wire) is present in electrical box, wrap wire around pre-attached screw on mounting bracket and tighten into place.

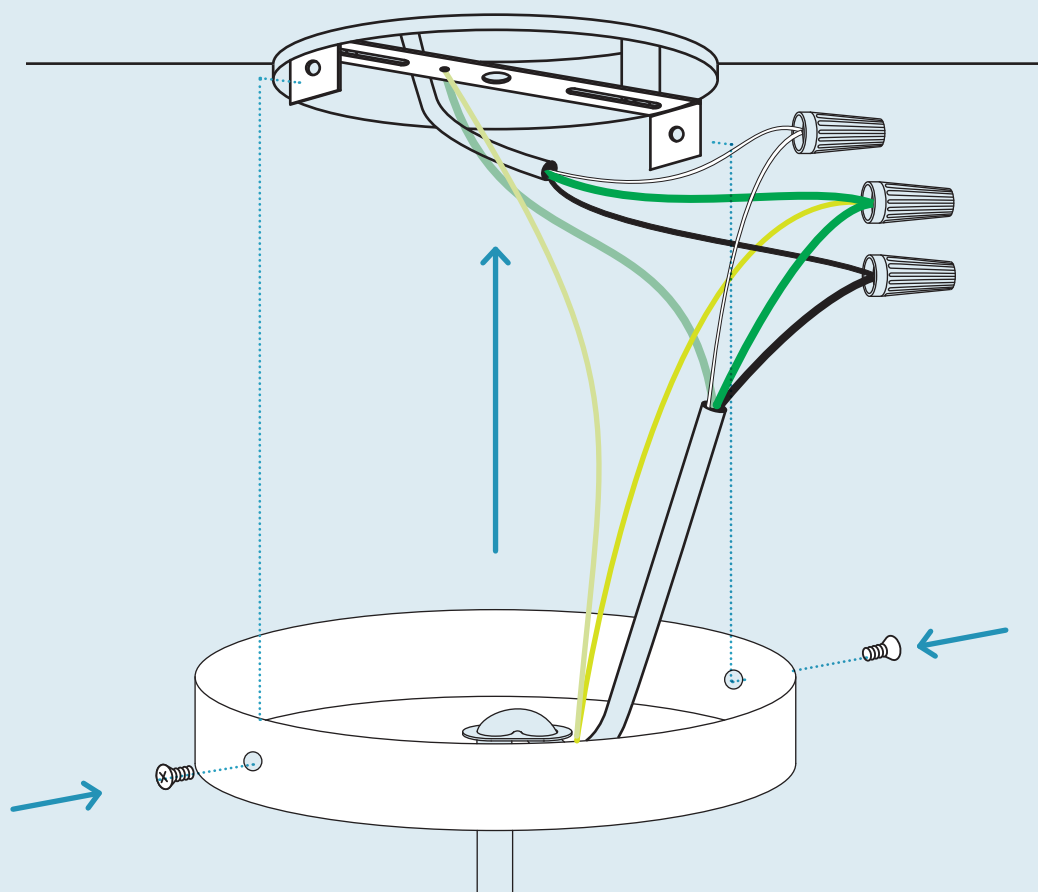


PT. 8021 x 1

Step 04

ATTACH CANOPY TO BRACKET.

1. Align vertical holes on mounting bracket with side canopy holes.
2. Attach as shown using the provided hardware.



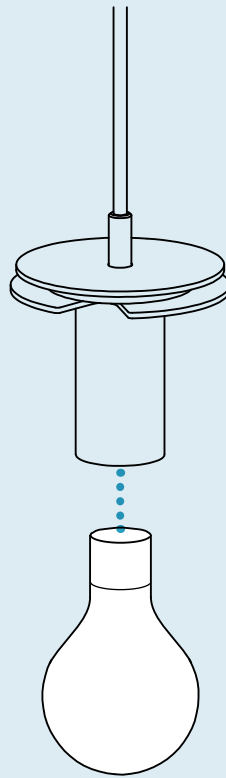
PT. 1061 x 2

Step 05

INSTALL BULB.

Insert an E26 base bulb into the socket.

Note: We recommend using an A19 shaped bulb and caution against using larger globe shaped bulbs in this pendant.



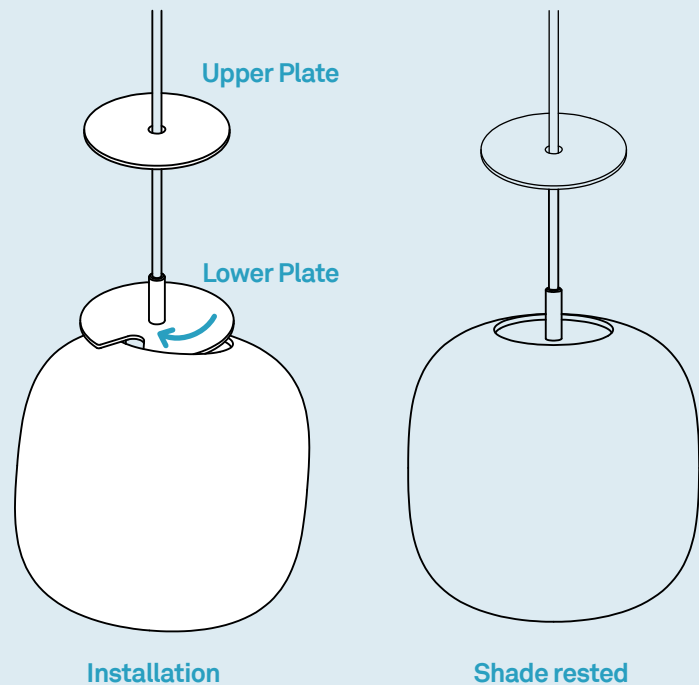
Step 06

INSTALL GLASS SHADE.

With the help of another individual, carefully raise the upper plate up, and angle the opening of the glass shade onto the arm of the lower plate as shown.

Slowly rotate the lower plate until the rim of the glass shade is fully resting on the lower plate.

Caution: Handle the glass with care and limit any forceful contact with the metal plates to prevent scratching.



Step 07

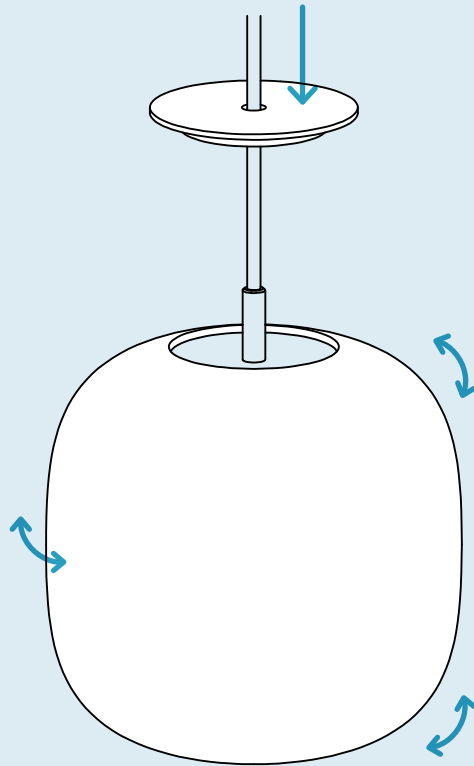
ADJUST SHADE.

The hand blown glass shade may vary in thickness, causing it to hang off-balance as a result.

This can be corrected by pivoting and rotating the glass shade until the pendant hangs straight and level.

Carefully and slowly lower the upper plate onto the shade to complete assembly. Abruptly dropping the upper plate onto the glass shade may result in damage.

Re-connect power.



Additional Information

USE

This unit is meant for indoor use in dry locations only.

NOTE

This lamp uses an E26 bulb with a maximum wattage of 60W or an equivalent LED or CFL bulb. We recommend using an A19 shaped bulb to avoid product damage.

CLEAN

Dust regularly with a soft cloth. Clean glass surfaces with a high quality cleaner formulated for glass products.

