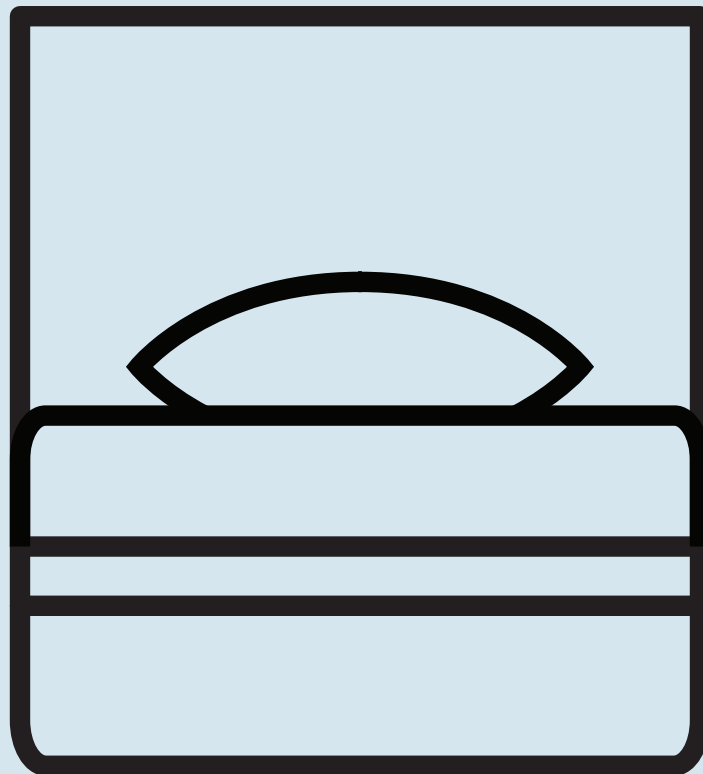
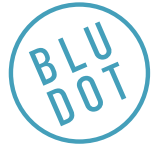


Me Time Bed - Twin

DESIGNED IN 2016

ASSEMBLY NOTES | REV 00



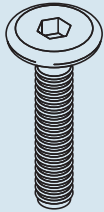
IT IS A DISASTER OUT THERE. WAIT IT OUT HERE.

This tightly tuned bed design is the perfect spot to stay put. Me time. You time. There will be better times .

NEED A HAND?

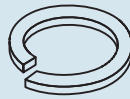
Contact us at service@bludot.com or **844.425.8368** for assistance.

Parts & Hardware



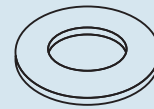
QTY 12

PT. 1680



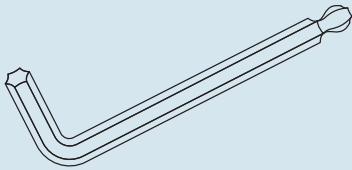
QTY 12

PT. 3005



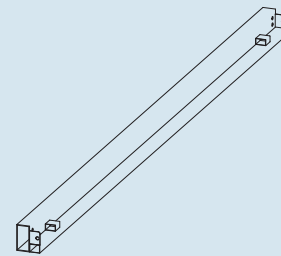
QTY 12

PT. 3007



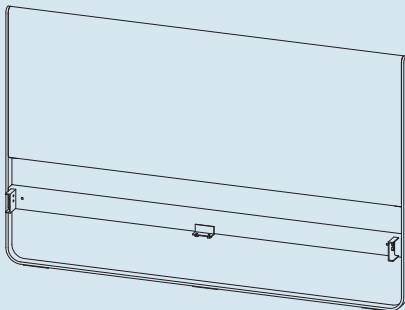
QTY 1

PT. 9017



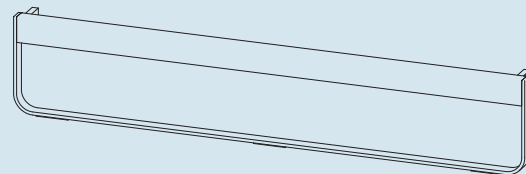
QTY 2

Side Rail



QTY 1

Head Board



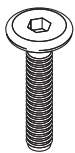
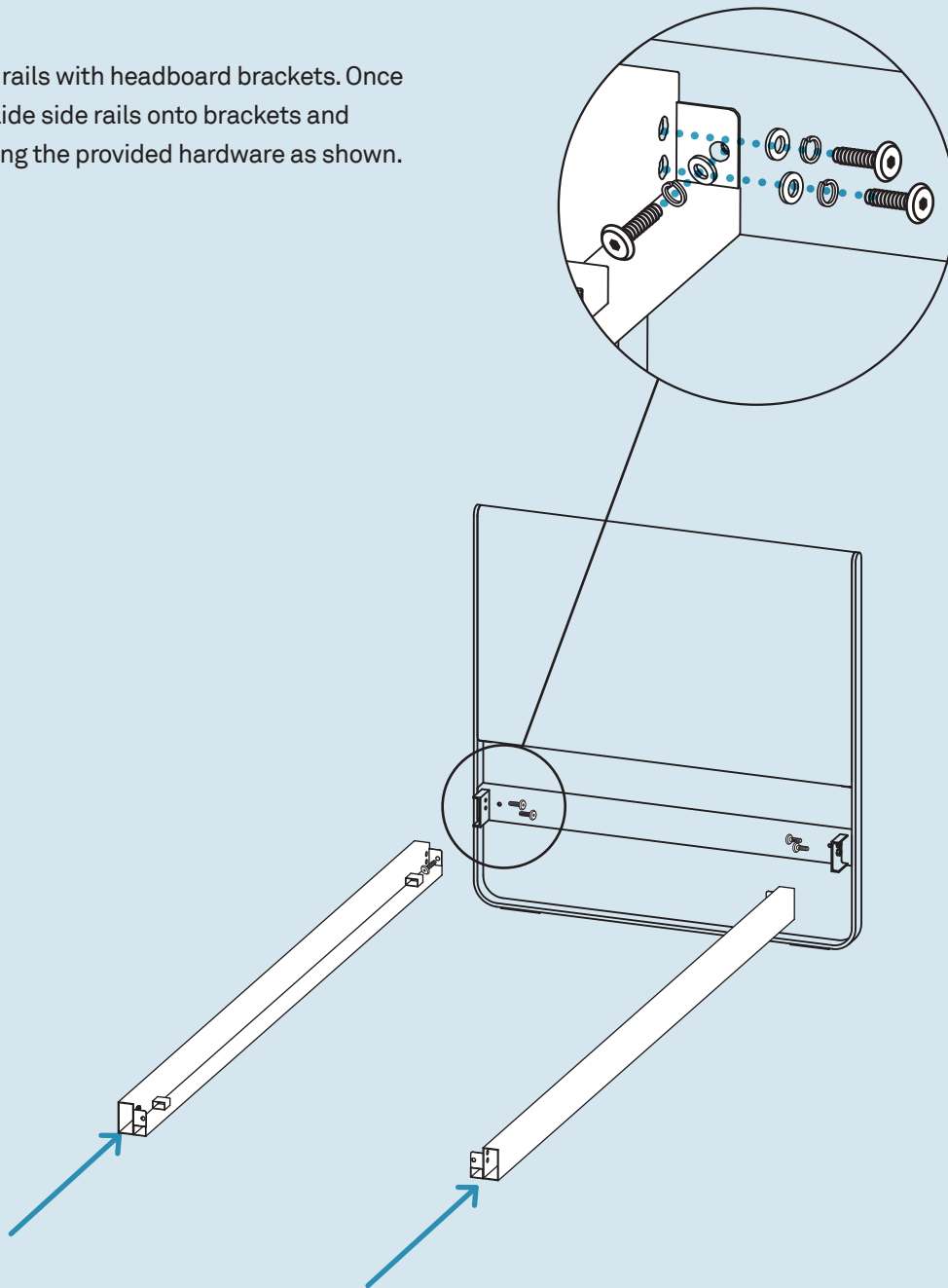
QTY 1

Foot Board

Step 01

BEGIN ASSEMBLING BED.

Align side rails with headboard brackets. Once aligned, slide side rails onto brackets and attach using the provided hardware as shown.



PT. 1680 x 6



PT. 3005 x 6



PT. 3007 x 6

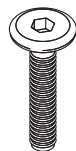
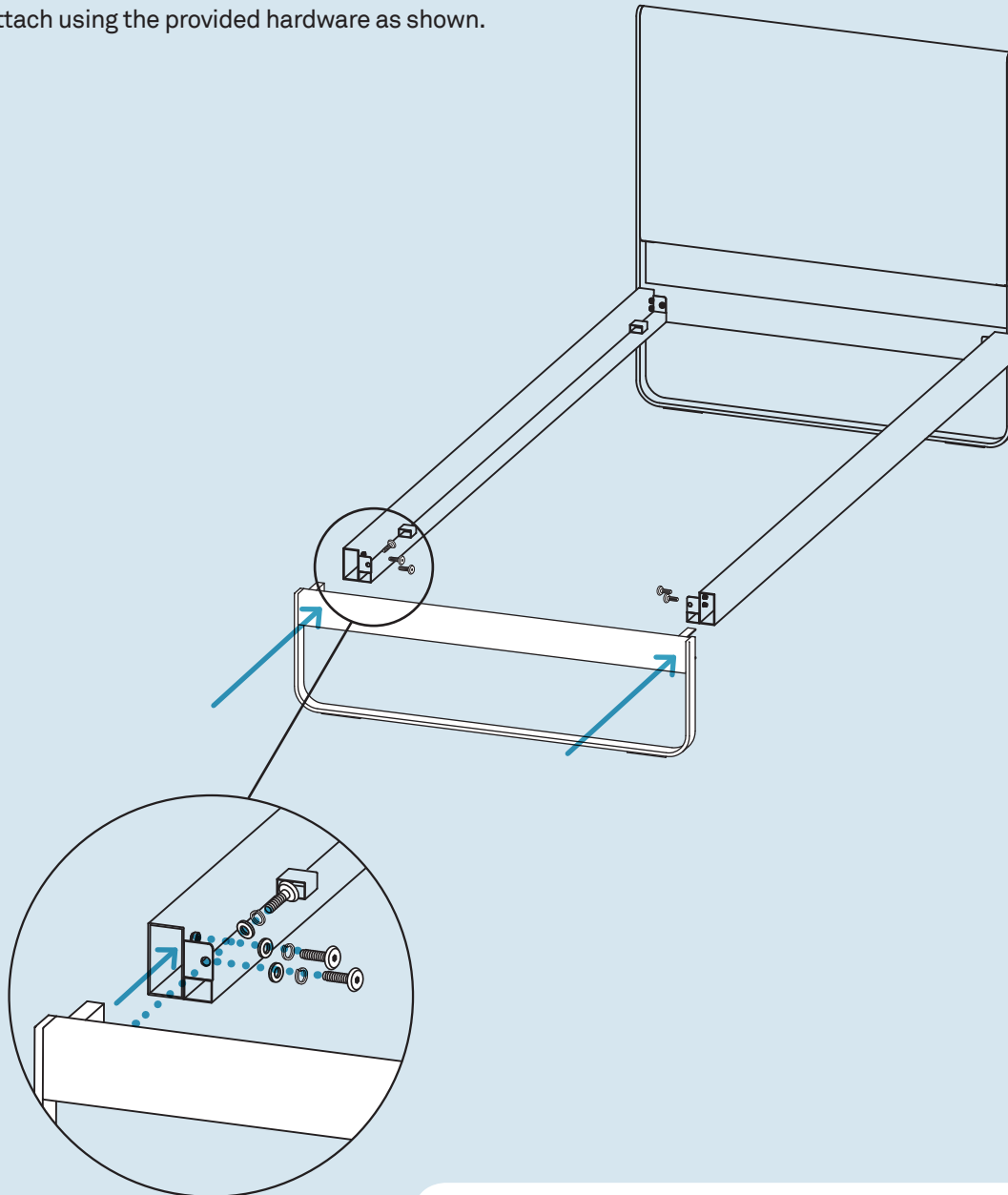


PT. 9017 x 1

Step 02

ATTACHING THE FOOTBOARD.

Align side rails with footboard brackets. Once aligned, slide side rails onto brackets and attach using the provided hardware as shown.



PT. 1680 x 6



PT. 3005 x 6



PT. 3007 x 6

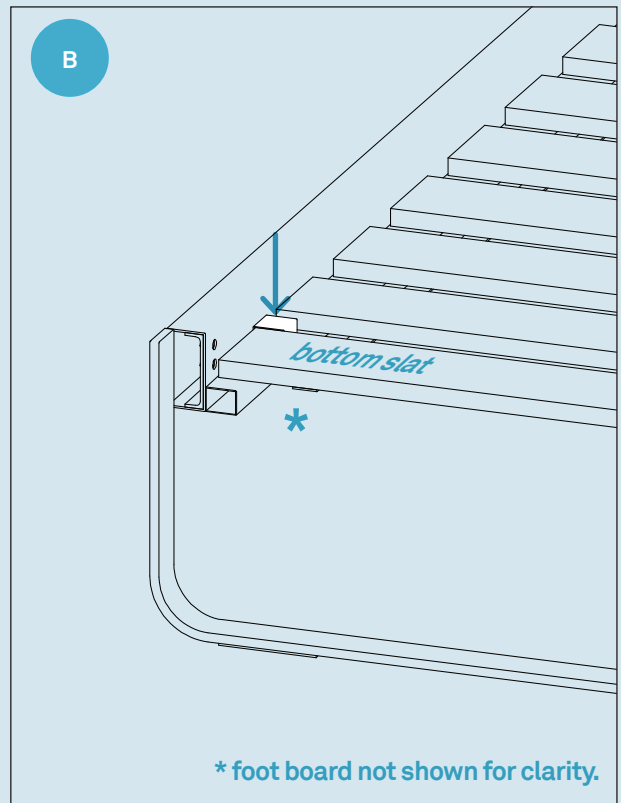
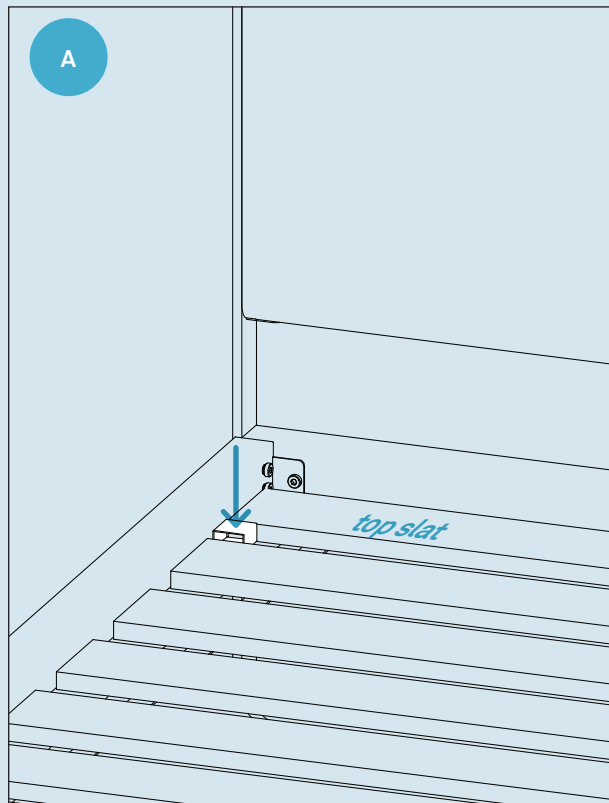
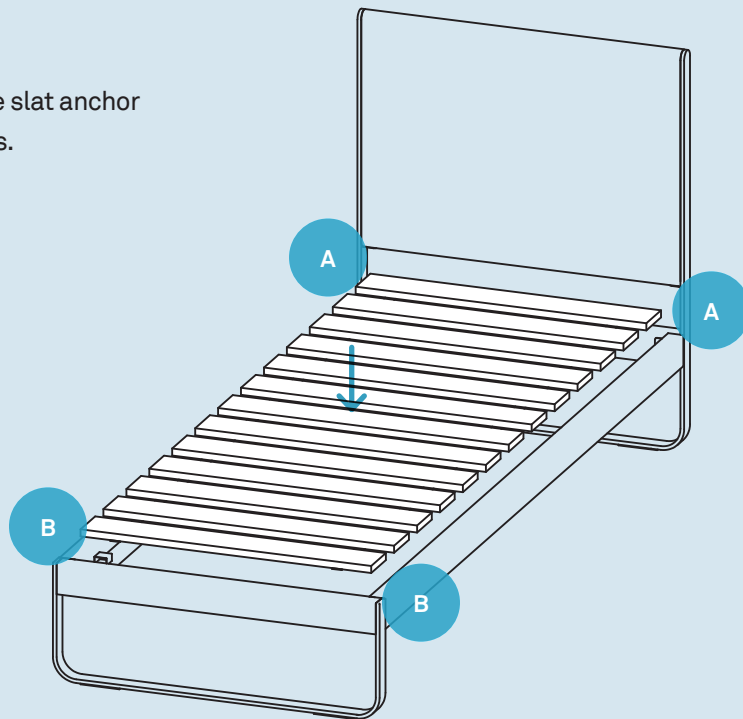


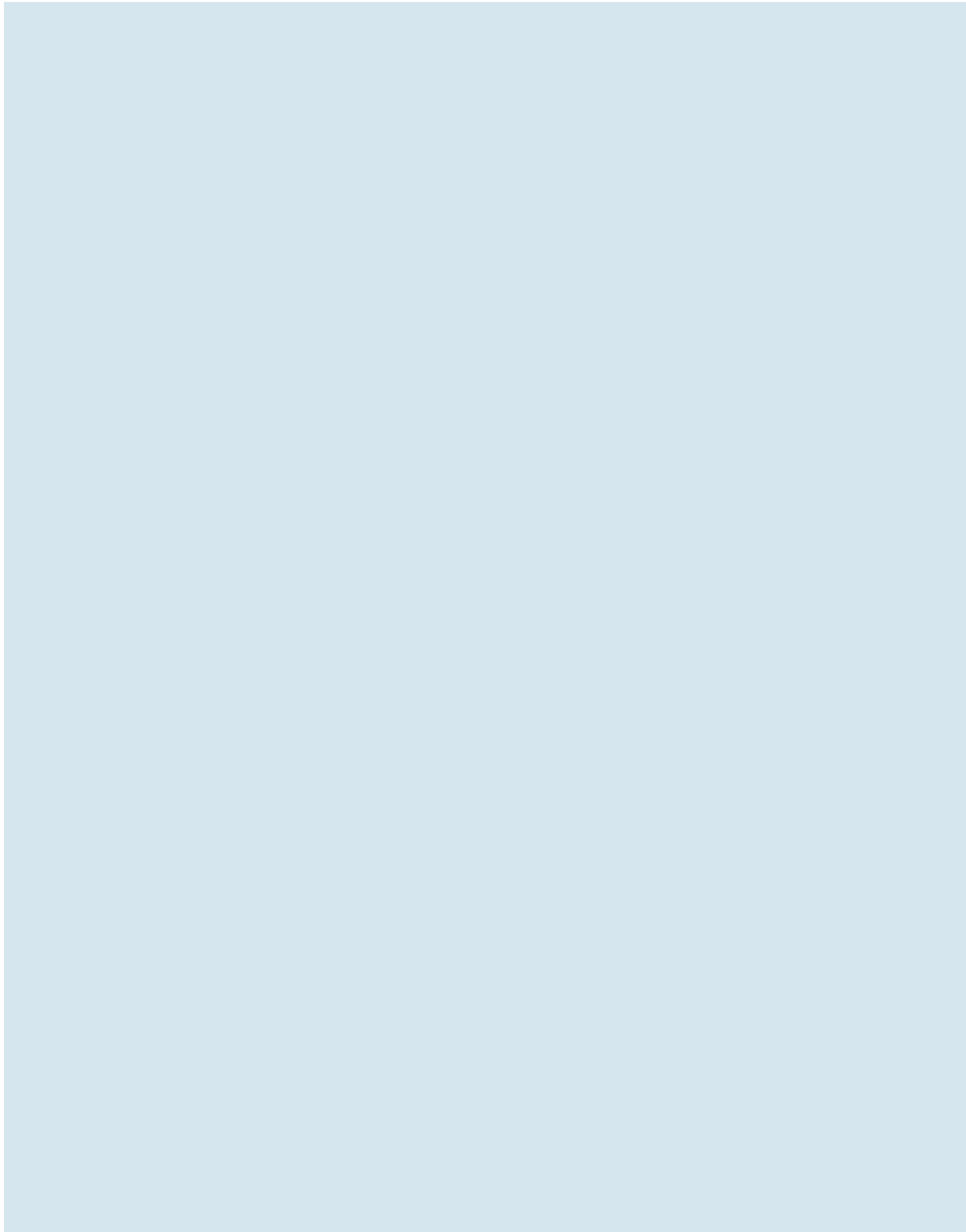
PT. 9017 x 1

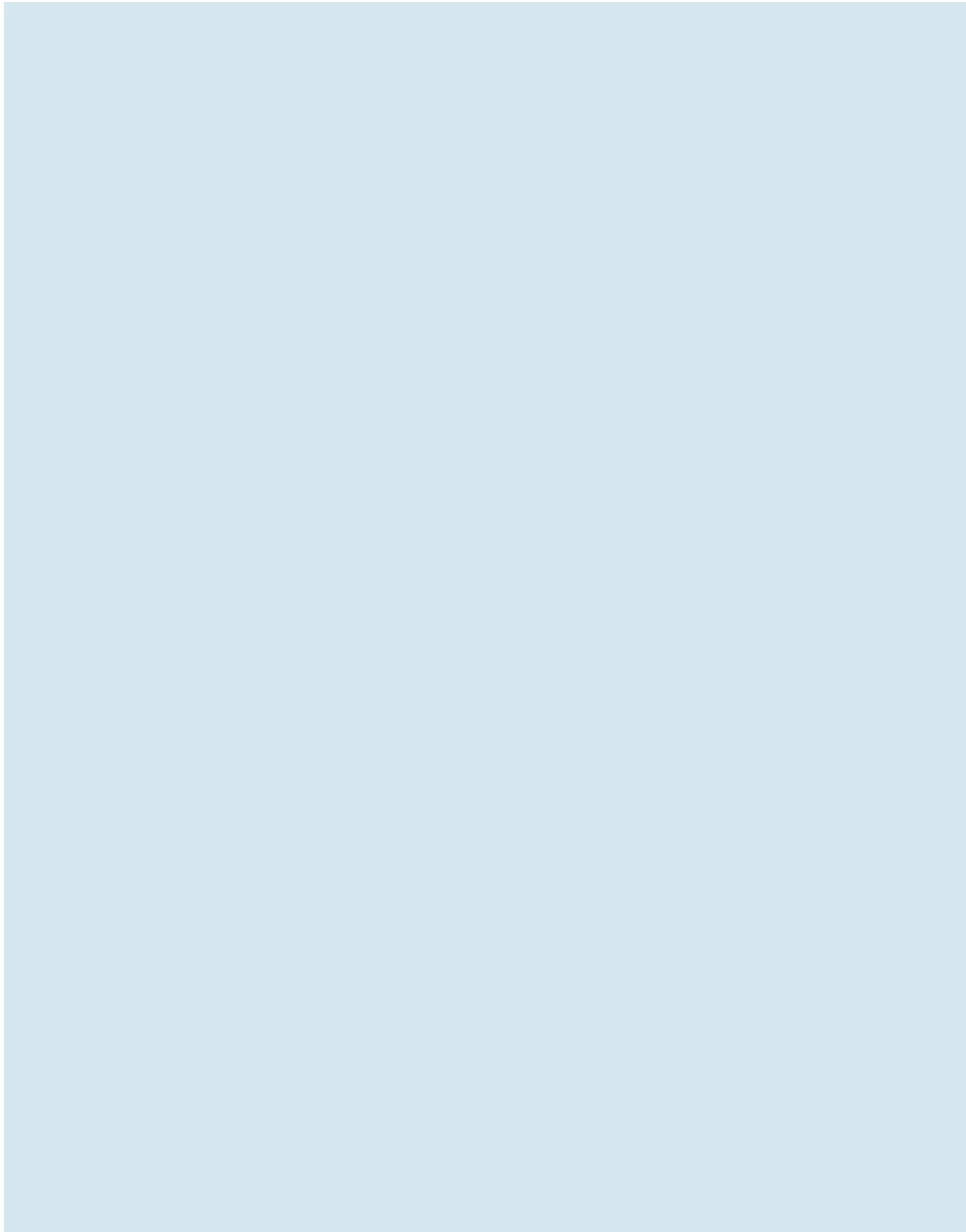
Step 03

INSTALLING THE SLATS.

Install slats as shown. Note slat anchor block locations on side rails.







Additional Information

CLEAN

Vacuum your upholstery regularly. For leather furniture dust regularly with a dry cloth.

SPILLS

Act quickly with spills. Absorb the spill with a clean white cloth or paper towel. Never rub the surface. Do not use water or other liquids to clean, as they may cause stains. Consult a commercial cleaning specialist for removal of stubborn stains.

AVOID

Keep furniture out of direct sunlight and away from heat sources; excessive exposure to sunlight may cause color fading. Avoid placing heavy or sharp objects on the furniture surface for long periods of time; this can cause permanent surface indentations. For snags in the fabric, tuck loose threads into fabric or carefully push to reverse side. Never pull out or cut off loose threads.

