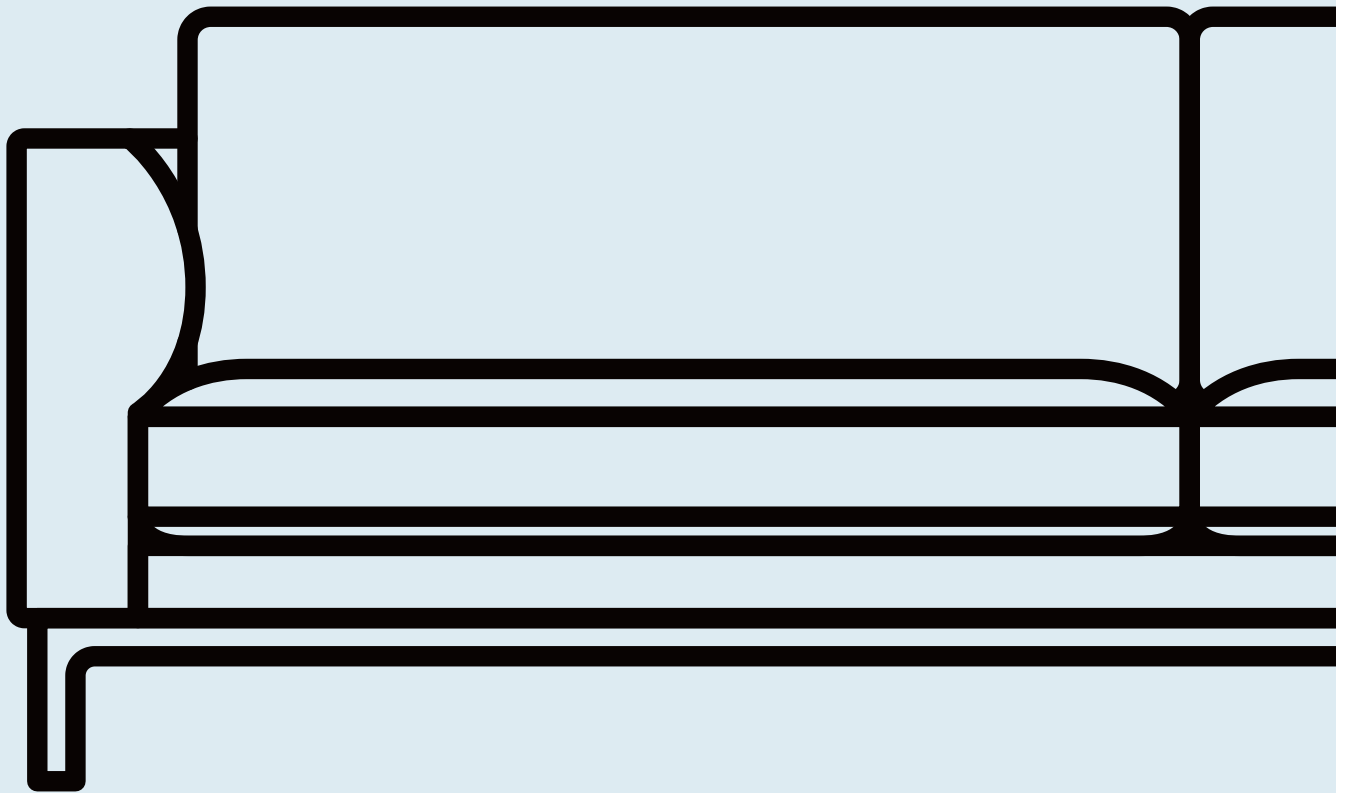
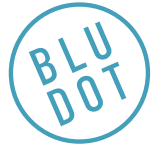


# Guide Collection

DESIGNED IN 2020

ASSEMBLY NOTES | REV 02



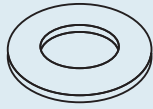
## NEED A HAND?

Contact us at [service@bludot.com](mailto:service@bludot.com) or  
**844.425.8368** for assistance.

## @BLUDOT

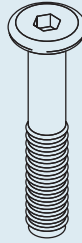
We design all our pieces in our Minneapolis studio. Follow  
along on Instagram for some sneak peeks into the process.

# Parts & Hardware



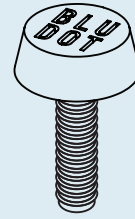
QTY 8

Pt. 3002



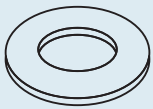
QTY 8

Pt. 1692



QTY 4

Pt. 4022



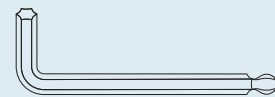
QTY 8\*

Pt. 3015



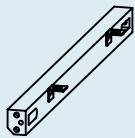
QTY 8\*

Pt. 1039



QTY 1

Pt. 9016



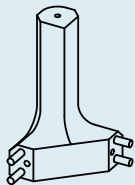
QTY 2

Short Rail



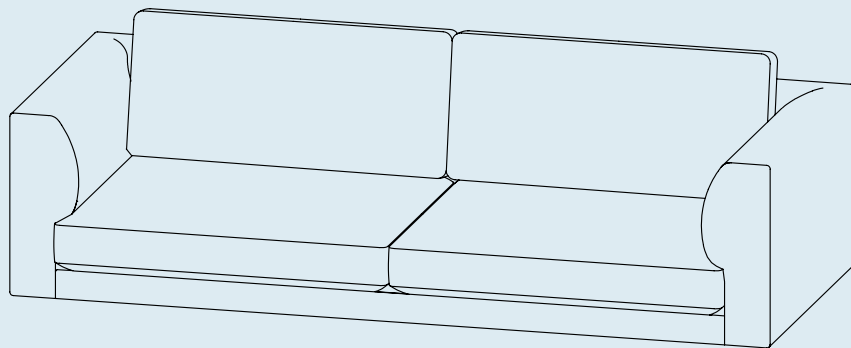
QTY 2

Long Rail



QTY 4

Leg



QTY 1

Sofa Frame

\*Lounge Chair ships with 6 pieces of hardware.

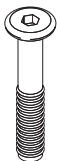
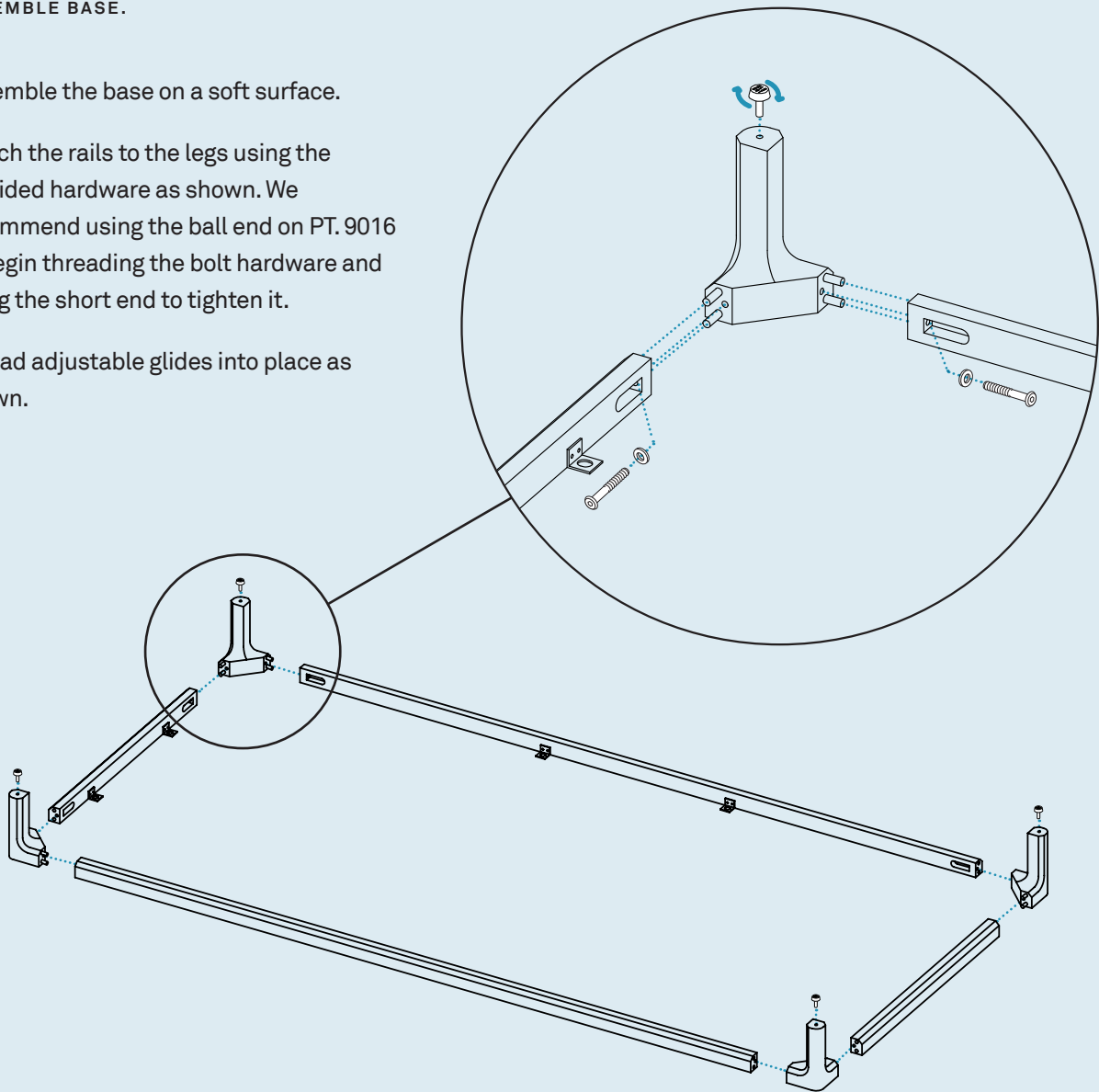
# Step 01

## ASSEMBLE BASE.

Assemble the base on a soft surface.

Attach the rails to the legs using the provided hardware as shown. We recommend using the ball end on PT. 9016 to begin threading the bolt hardware and using the short end to tighten it.

Thread adjustable glides into place as shown.



PT. 1692 x 8



PT. 3002 x 8



PT. 9016 x 1



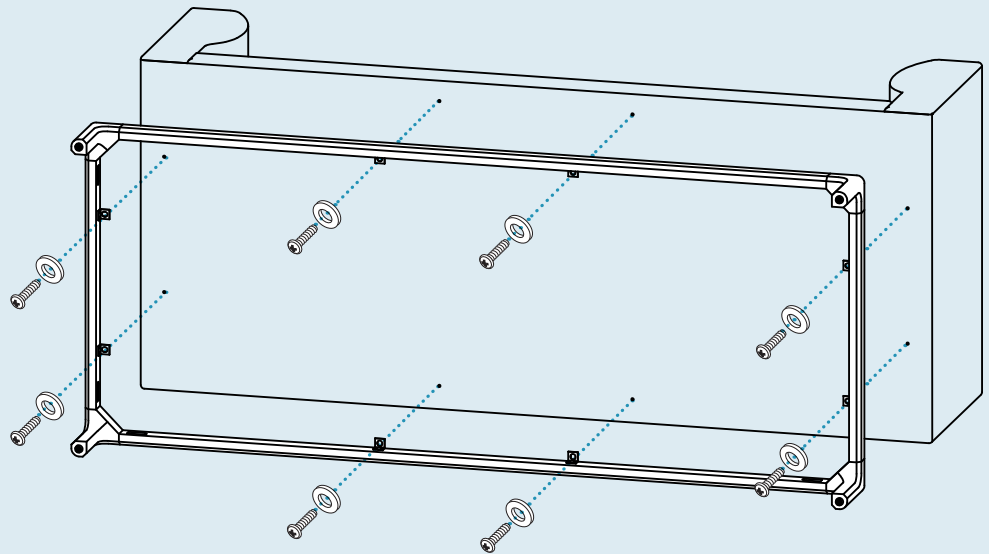
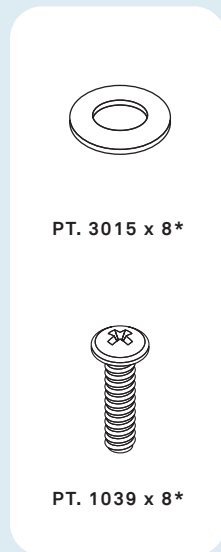
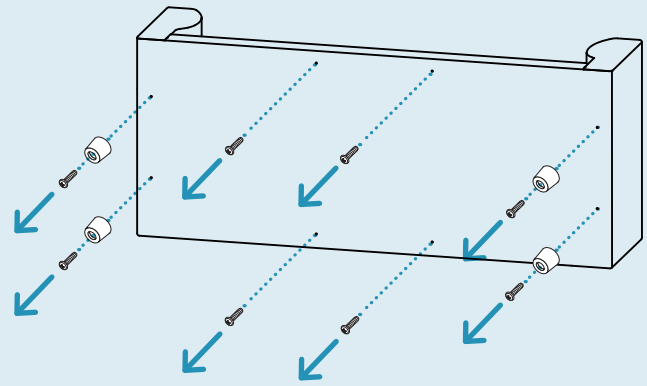
PT. 4022 x 4

## Step 02

### ATTACH BASE TO FRAME.

Detach bolts and discard temporary plastic feet from the sofa frame. Attach the wooden base to the sofa frame using the same hardware as shown.

Lift sofa upright with assistance to complete assembly.



## Additional Information

### CLEAN

Vacuum your upholstery regularly.

### SPILLS

Act quickly with spills. Absorb the spill with a clean white cloth or paper towel. Never rub the surface. Do not use water or other liquids to clean, as they may cause stains. Consult a commercial cleaning specialist for removal of stubborn stains.

### AVOID

Keep furniture out of direct sunlight and away from heat sources; excessive exposure to sunlight may cause color fading. Avoid placing heavy or sharp objects on the furniture surface for long periods of time; this can cause permanent surface indentations. For snags in the fabric, tuck loose threads into fabric or carefully push to reverse side. Never pull out or cut off loose threads.

