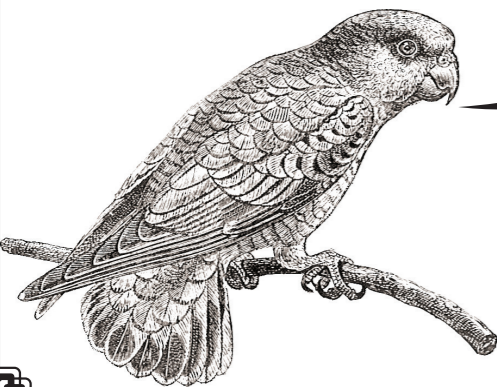


BLU  
DOT

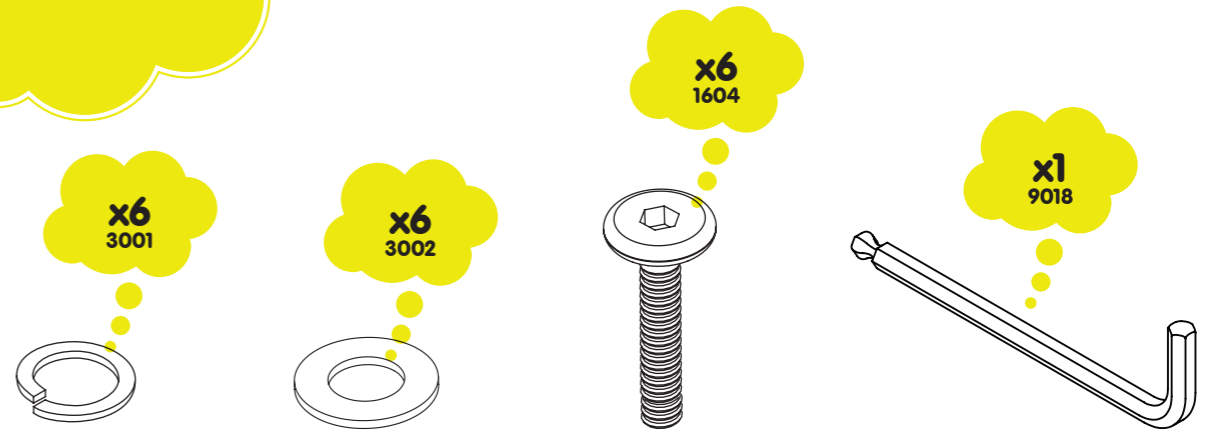
# FIELD LOUNGE CHAIR

ASSEMBLY NOTES

BE AN EXPERT  
IN YOUR FIELD!



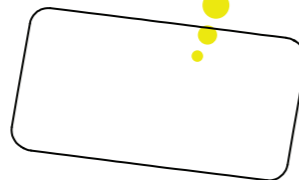
## HARDWARE



1

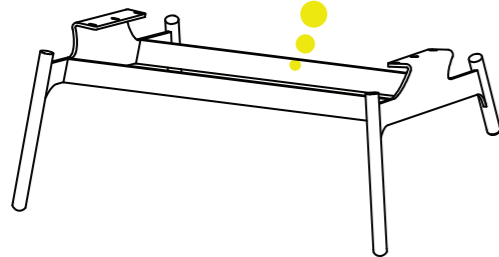
## PARTS

x1



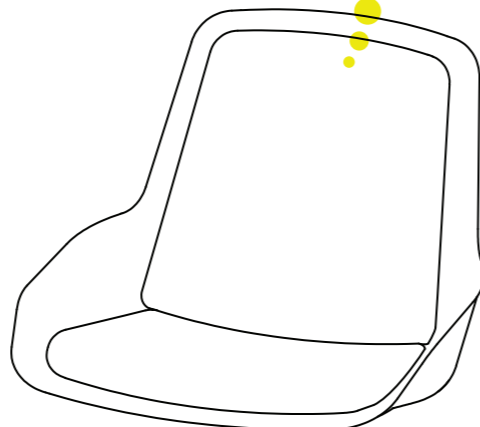
CUSHION

x1

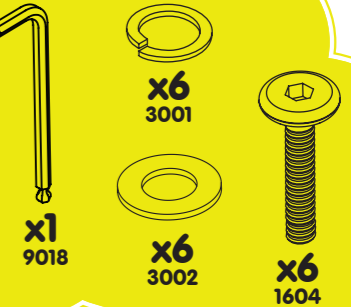
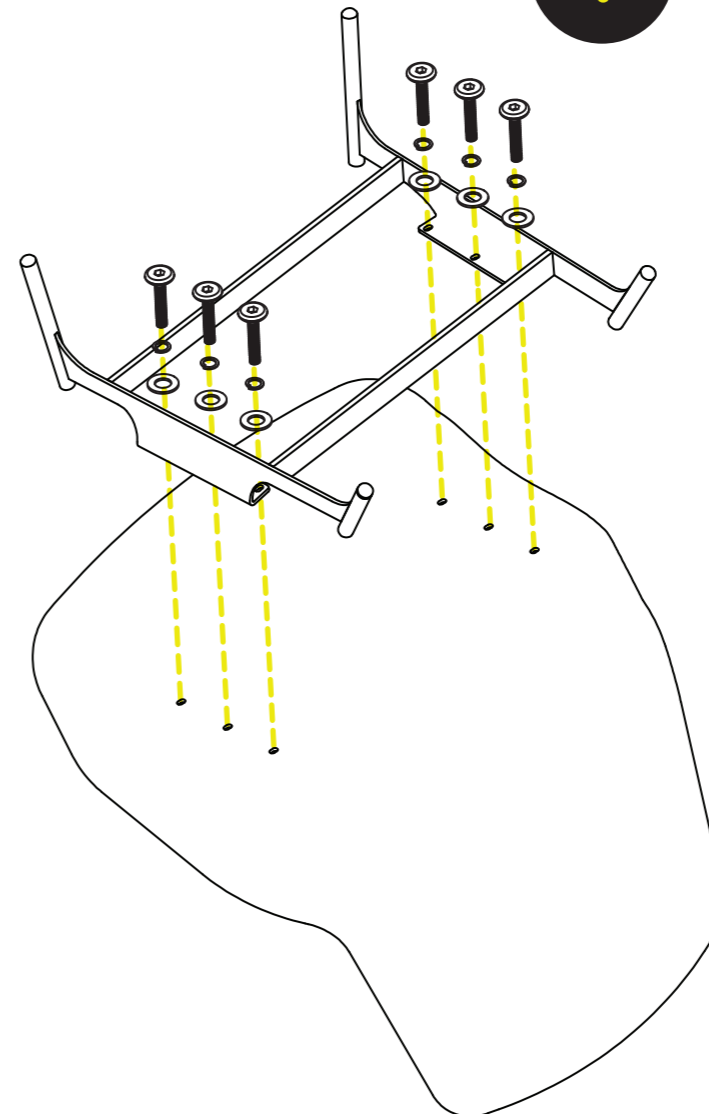


BASE

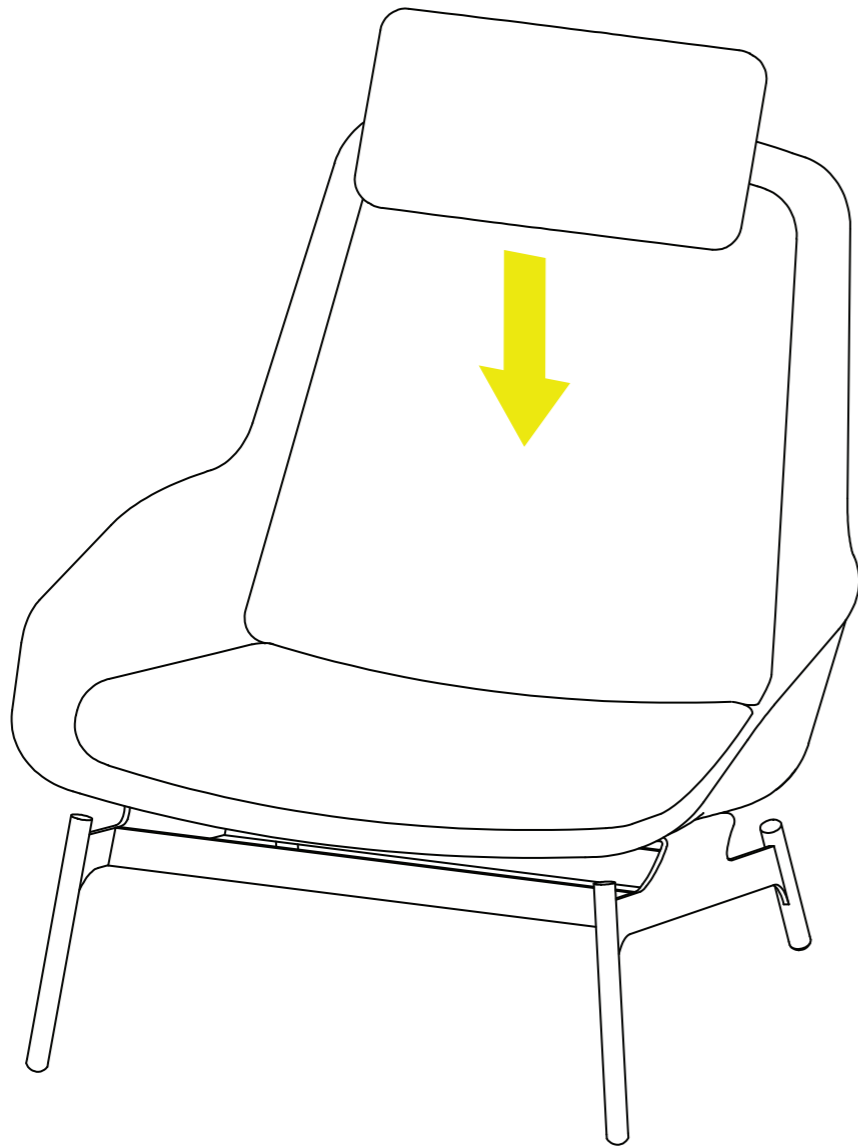
x1



SEAT



2



**CLEAN**

Vacuum your upholstery regularly.

**UPHOLSTERY CARE**

**KEEP IT CLEAN, JIMMY!**

**SPILLS**

Act quickly with spills. Absorb the spill with a clean white cloth or paper towel. Never rub the surface. Spot clean with dry cleaning fluid. Do not use water or other liquids to clean, as they may stain the fabric. Consult a commercial cleaning specialist for removal of stubborn stains.

**AVOID**

Keep upholstery furniture out of direct sunlight and away from heat sources; excessive exposure to sunlight will fade the color of the upholstery. Avoid placing heavy or sharp objects on the furniture surface for long periods of time; this can cause permanent indentations in the fabric. For snags in the fabric, tuck loose threads into fabric or carefully push to reverse side. Never pull out or cut off loose threads.