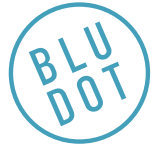
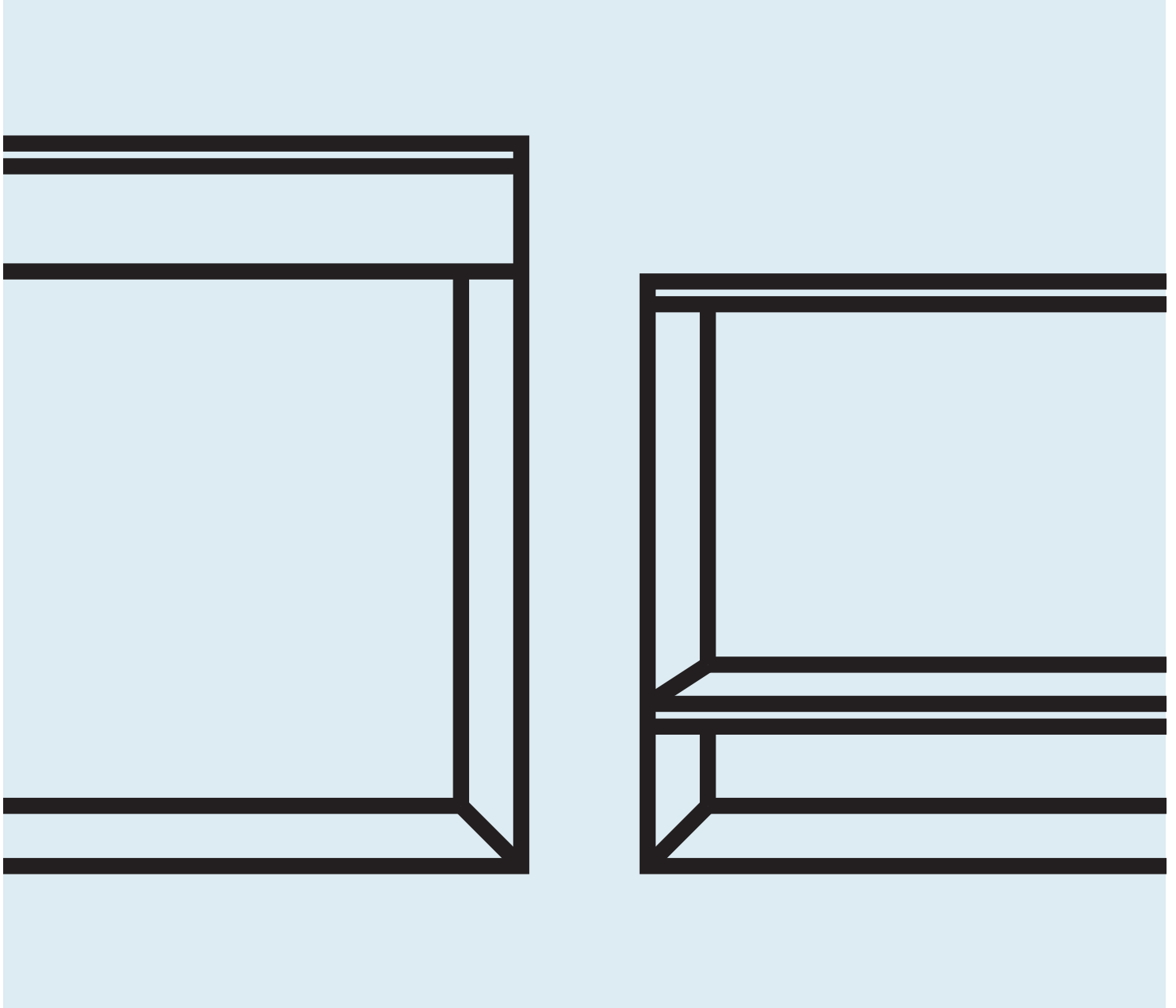


# Construct Bench



DESIGNED IN 2016

ASSEMBLY NOTES | REV 00



## NEED A HAND?

Contact us at [service@bludot.com](mailto:service@bludot.com) or **844.425.8368** for assistance.

## @BLUDOT

We design all our pieces in our Minneapolis studio. Follow along on Instagram for some sneak peeks into the process.

# Parts & Hardware



QTY \_\_\_\_\_ 1

Seat Pad



QTY \_\_\_\_\_ 1

Base

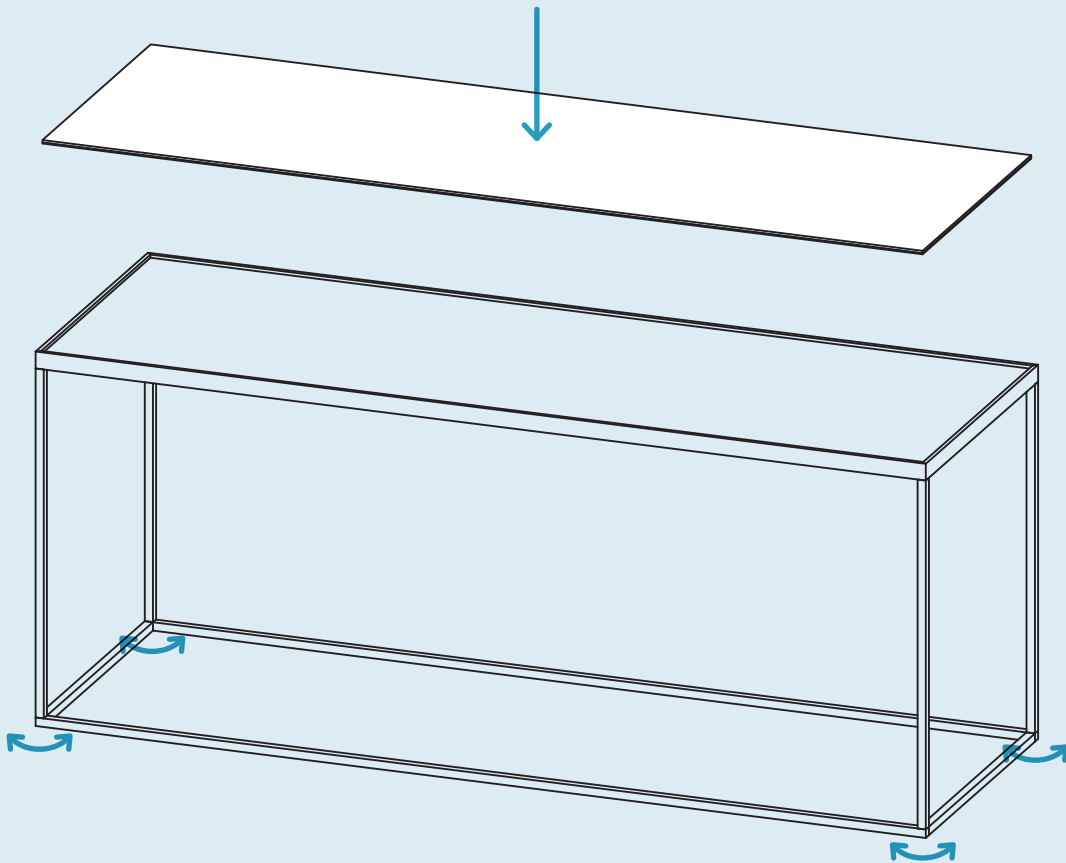
\*Parts may vary depending on bench size purchased.

# Step 01

## PLACE SEAT PAD.

Place the seat pad onto the base as shown.

Turn adjustable glides at bottom of the base clockwise or counterclockwise to ensure that the bench is level prior to use.



## Additional Information

### METAL CARE

Clean metal base with a slightly damp, soft cloth. To remove dirt and fingerprints, use a quality cleaner formulated for metal furniture. Wipe completely dry with a soft cloth.

### FELT CARE

The seat pad is 100% German wool felt, a naturally renewable and recyclable material and because of its wool properties, this product is not suitable for washer and dryer cleaning. If soiling should occur, please spot clean with warm soapy water or dry clean.

### AVOID

Keep upholstery & felt furniture out of direct sunlight and away from heat sources; excessive exposure to sunlight may fade the color of the upholstery. Avoid placing heavy or sharp objects on the furniture surface for long periods of time; this can cause permanent indentations in the fabric.

