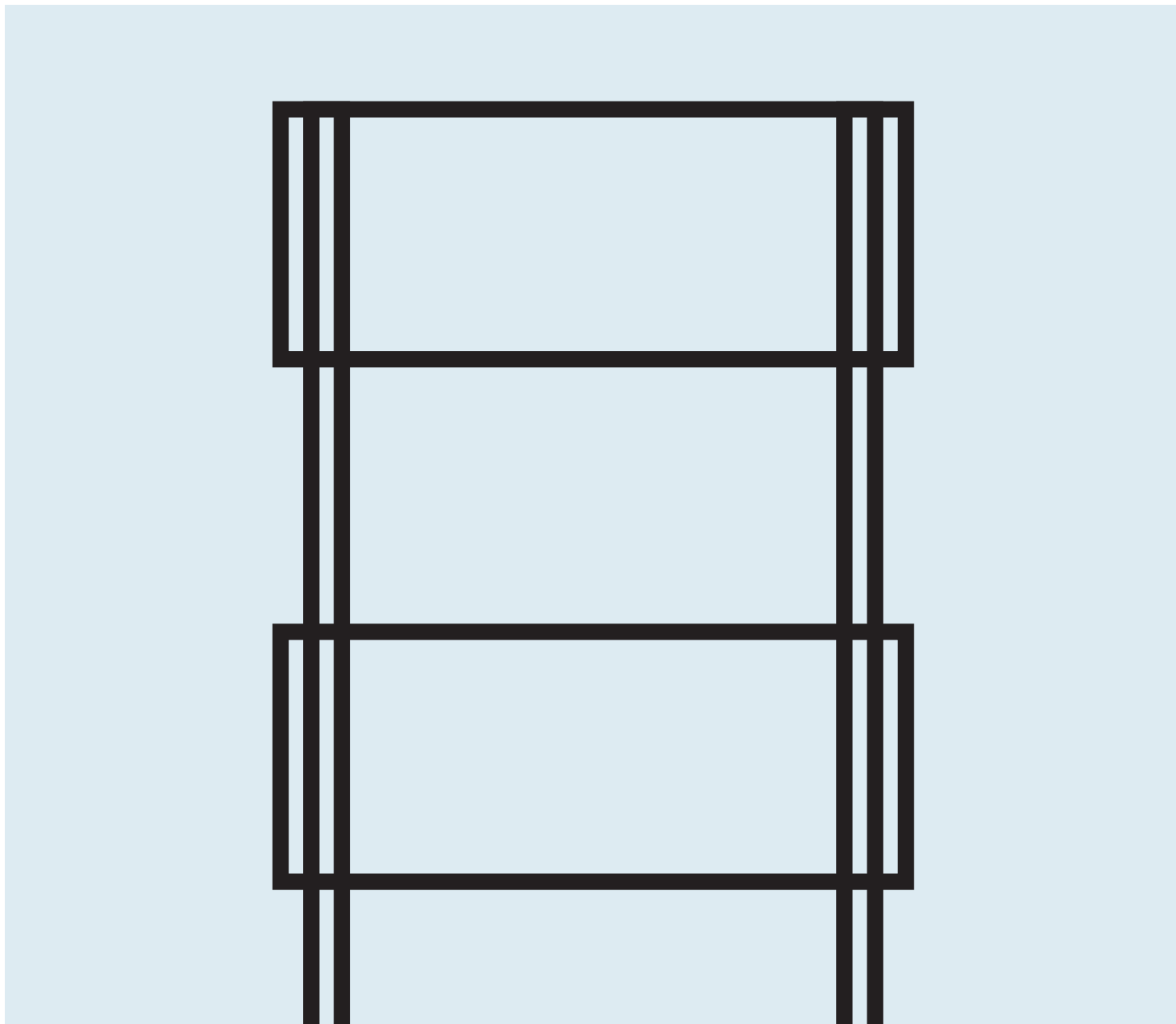
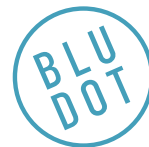


# Chicago 3 Box

DESIGNED IN 1997

ASSEMBLY NOTES | REV 04



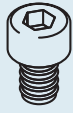
## NEED A HAND?

Contact us at [service@bludot.com](mailto:service@bludot.com) or **844.425.8368** for assistance.

## @BLUDOT

We design all our pieces in our Minneapolis studio. Follow along on Instagram for some sneak peeks into the process.

# Parts & Hardware



QTY 24

Pt. 1001



QTY 24

Pt. 5001



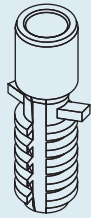
QTY 24

Pt. 5005



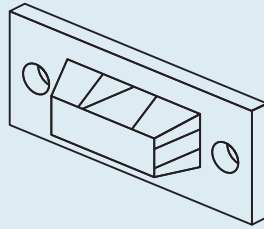
QTY 24

Pt. 5002



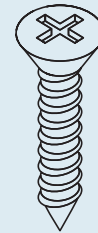
QTY 2

Pt. 8036



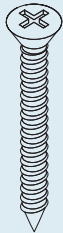
QTY 2

Pt. 8041



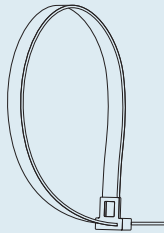
QTY 2

Pt. 1217



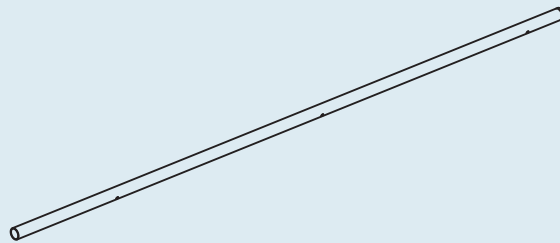
QTY 2

Pt. 1218



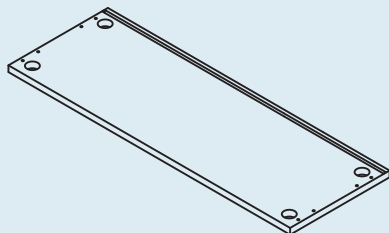
QTY 1

Pt. 8042



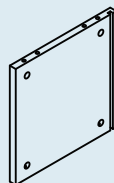
QTY 4

Upright



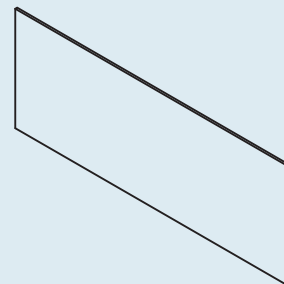
QTY 6

Top panel



QTY 6

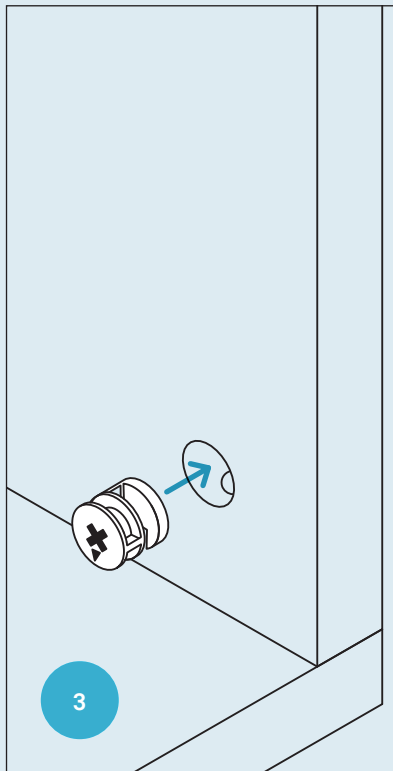
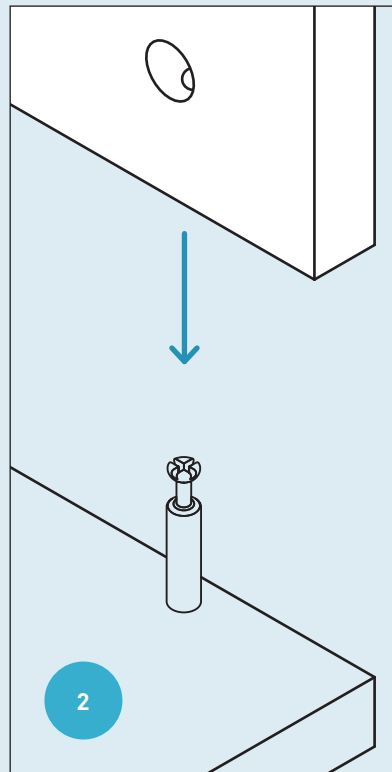
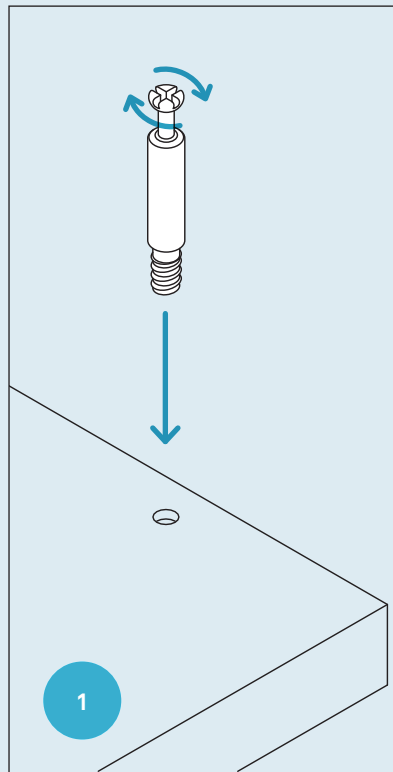
Side panel



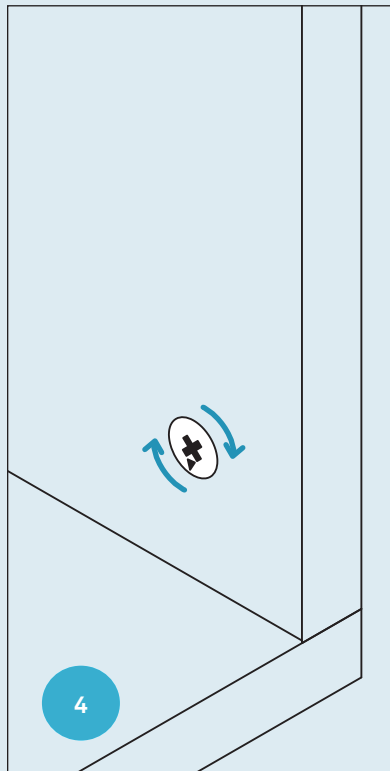
QTY 3

Back panel

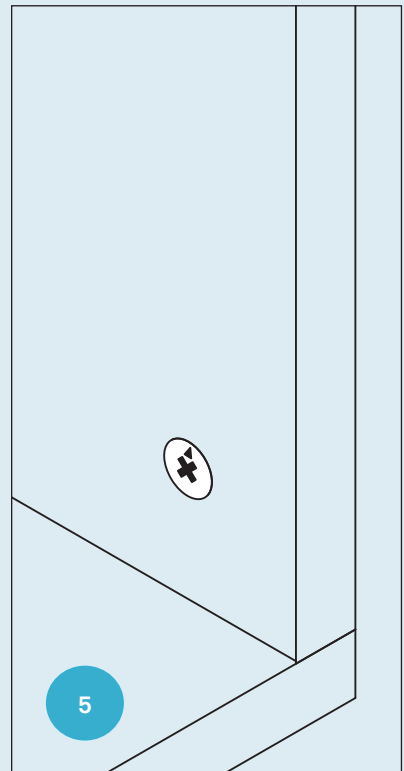
# How to use the cam lock system



Note direction of cam arrow.



Turn cam clockwise 1/2 turn or until tight.

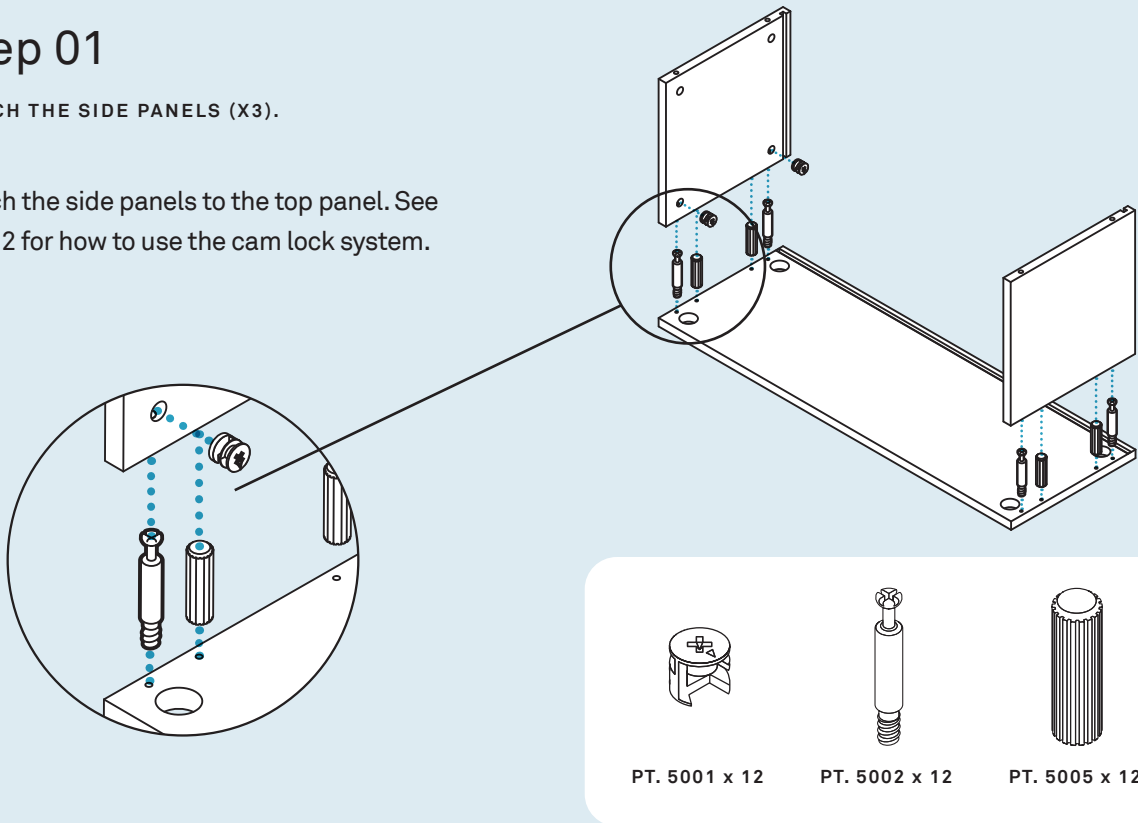


Note direction of cam arrow.

## Step 01

ATTACH THE SIDE PANELS (X3).

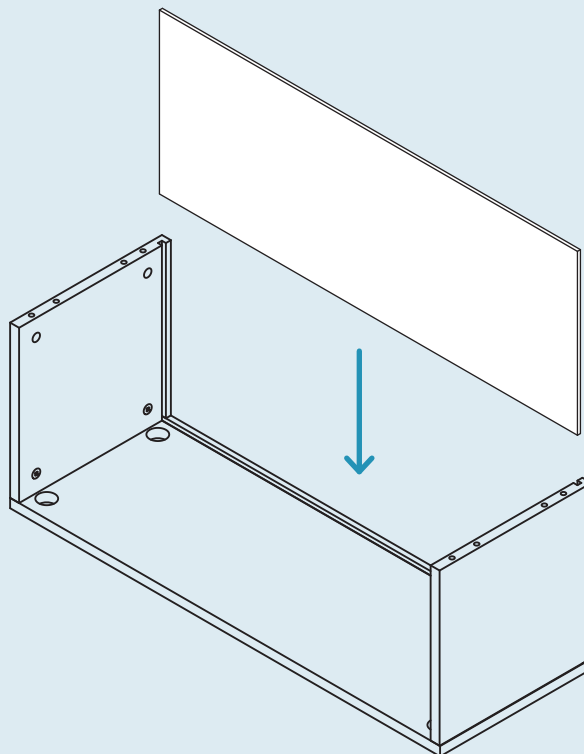
Attach the side panels to the top panel. See page 2 for how to use the cam lock system.



## Step 02

INSERT THE BACK PANEL (X3).

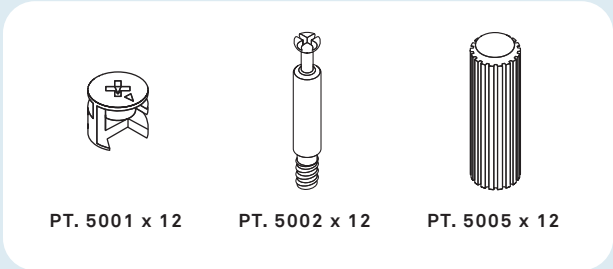
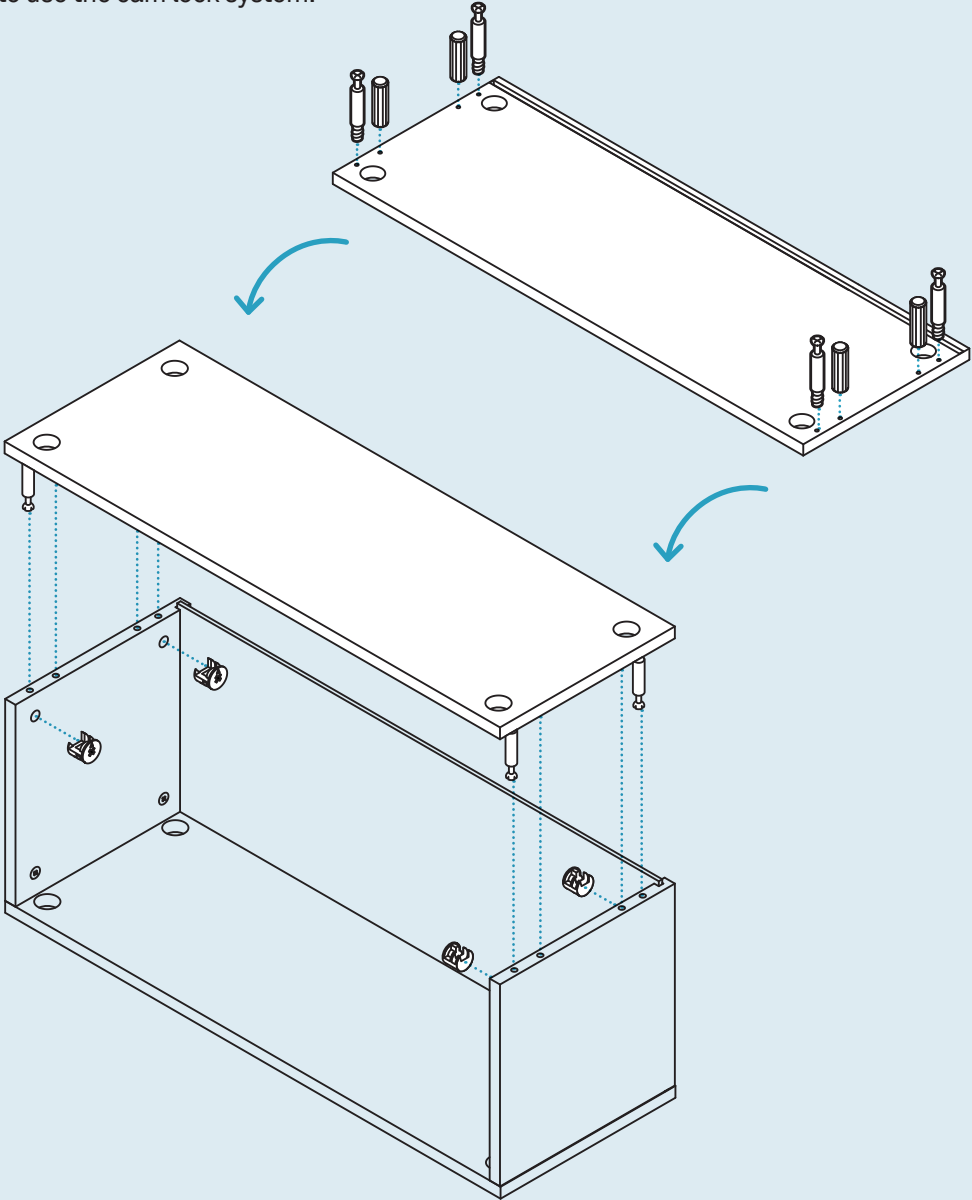
Slide the back panel between the side panel grooves.



# Step 03

ATTACH THE TOP PANEL (X3).

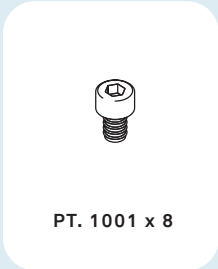
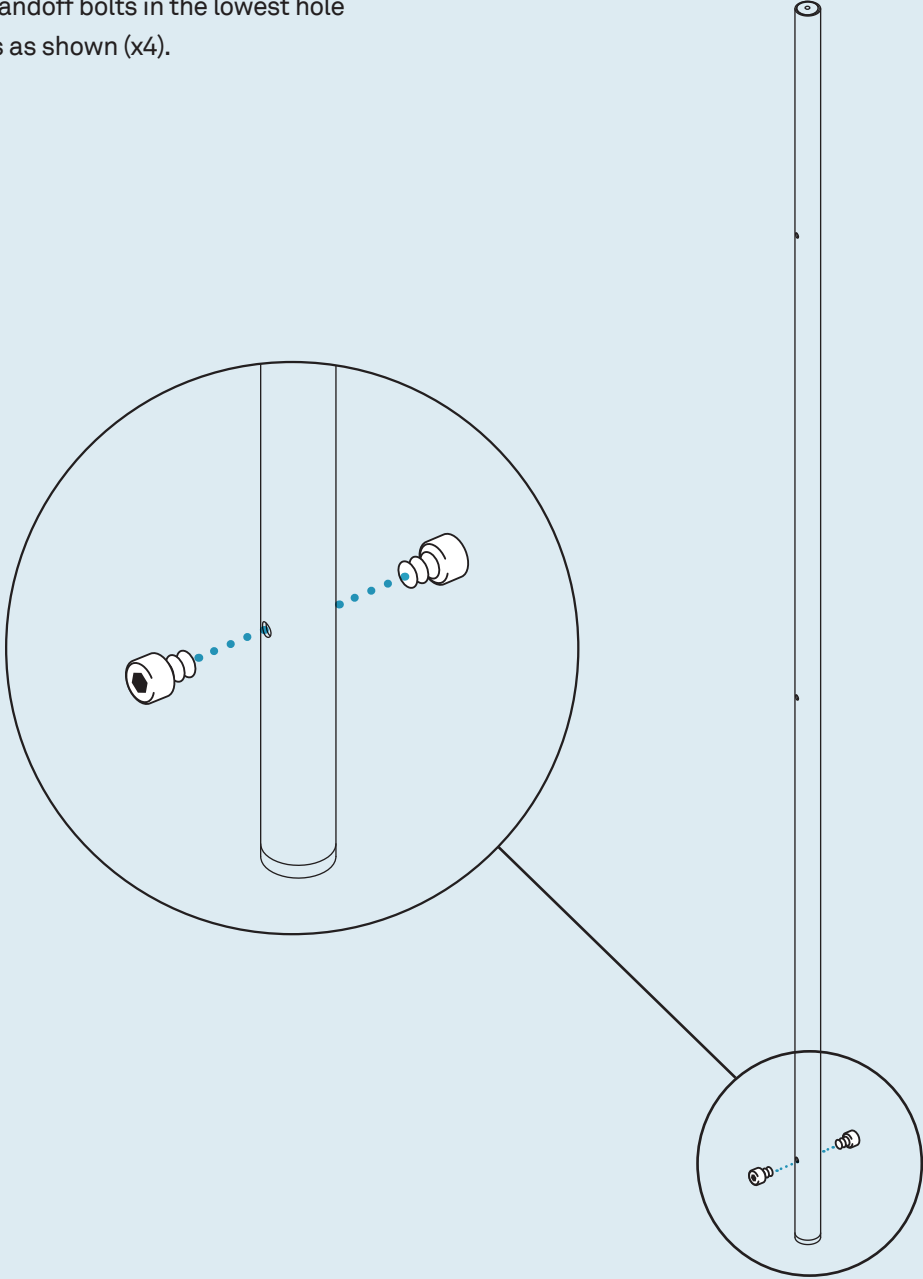
Attach the top panel to the side panels. See page 2 for how to use the cam lock system.



# Step 04

INSTALL THE STANDOFFS (X4).

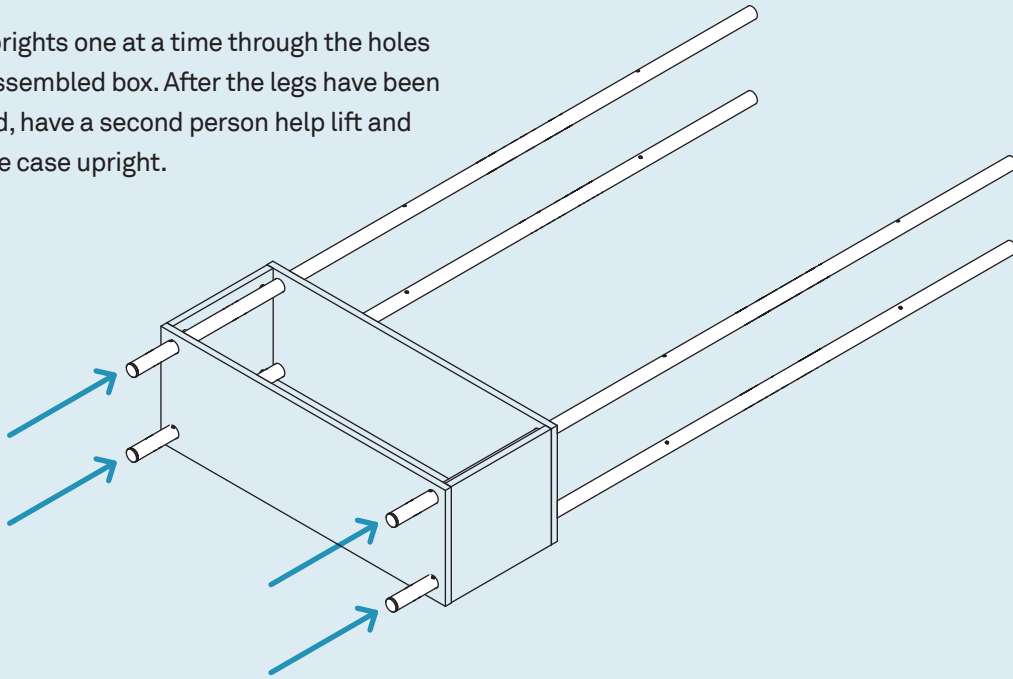
Install standoff bolts in the lowest hole locations as shown (x4).



## Step 05

### INSTALL UPRIGHTS.

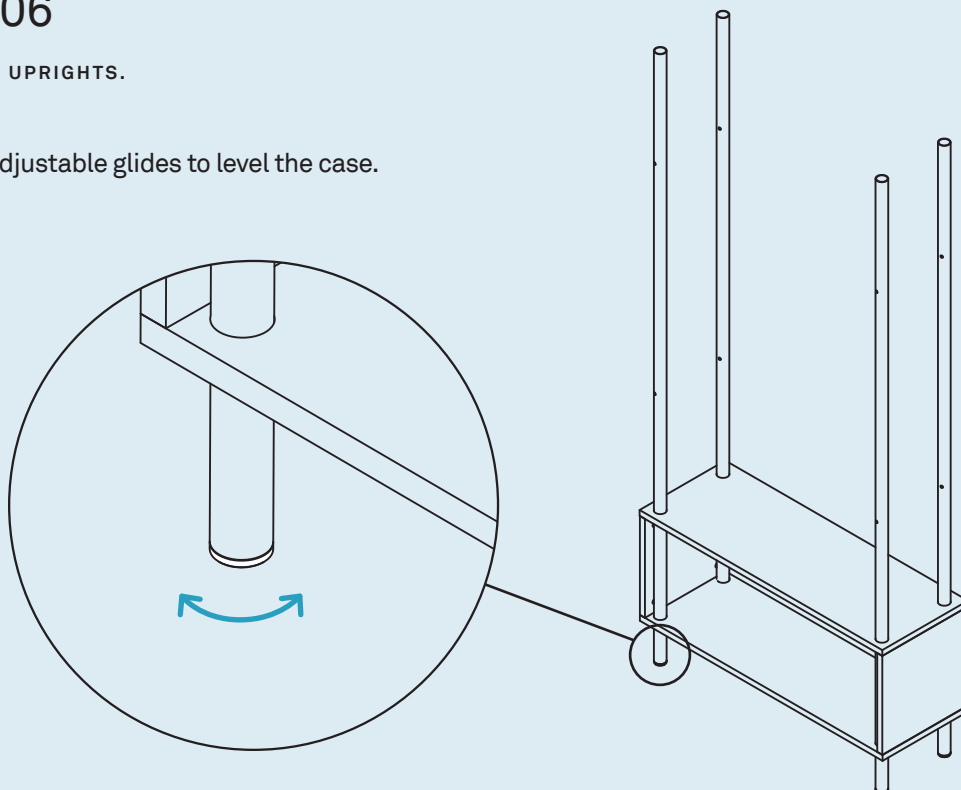
Slide uprights one at a time through the holes in the assembled box. After the legs have been installed, have a second person help lift and bring the case upright.



## Step 06

### LEVEL THE UPRIGHTS.

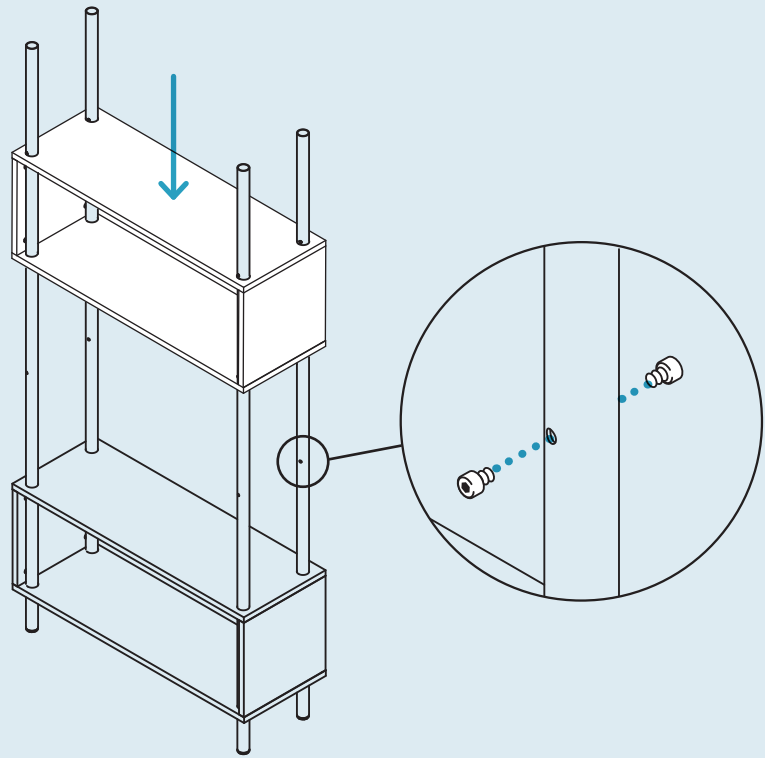
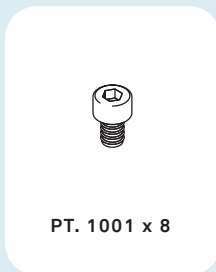
Turn the adjustable glides to level the case.



## Step 07

INSTALL THE SECOND BOX.

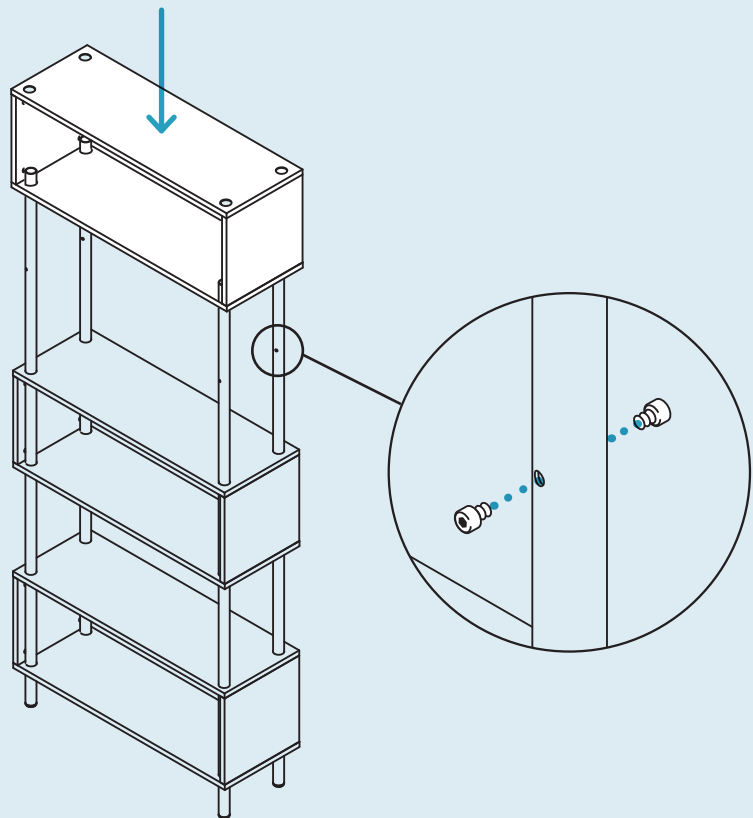
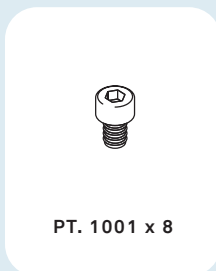
Install standoff bolts in the center hole locations as shown (x4). Slide the box assembly over the uprights.



## Step 08

INSTALL THE LAST BOX.

Install standoff bolts in the highest hole locations as shown (x4). Slide the box assembly over the uprights.

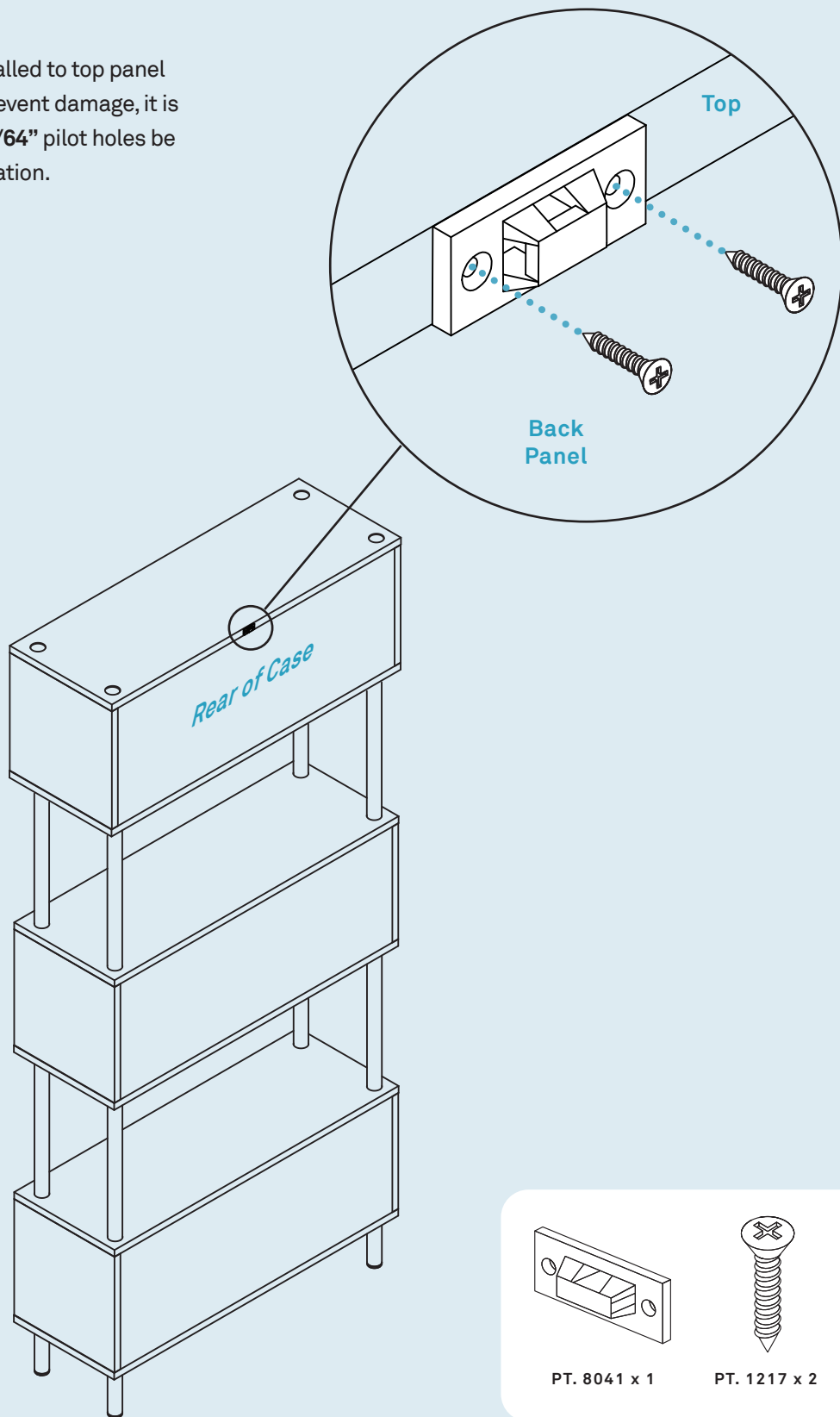




## Step 9

### INSTALL ANTI-TIP BRACKET TO CASE.

Bracket must be installed to top panel of case. In order to prevent damage, it is recommended that  $7/64$ " pilot holes be drilled prior to installation.



# Step 10

## ATTACH ANTI-TIP BRACKET TO THE WALL.

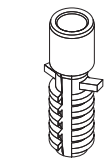
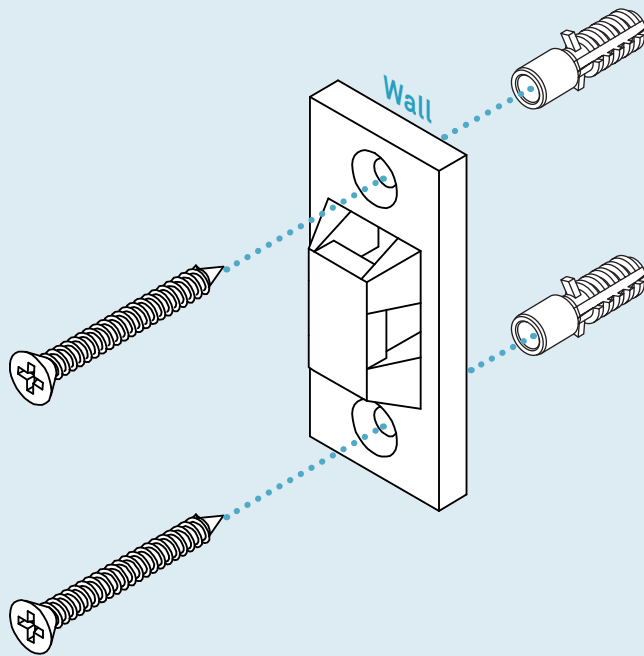
Wall anchors and fasteners are included for installation into drywall. Please consult your local hardware professional to determine the hardware best suited for your wall type.

Position the anti-tip bracket onto the wall 1" below case top panel height as shown and mark hole locations with a pencil.

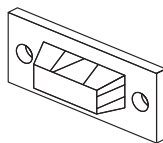
If the mounting locations are not positioned on a stud, drill  $5/16"$  clearance holes in the hole locations. Press wall anchors into drilled holes.

If the hole locations are positioned on a stud, this step of installing wall anchors may be skipped. Instead, drill  $7/64"$  pilot holes for the fasteners.

Secure anti-tip bracket in place using fasteners as shown.



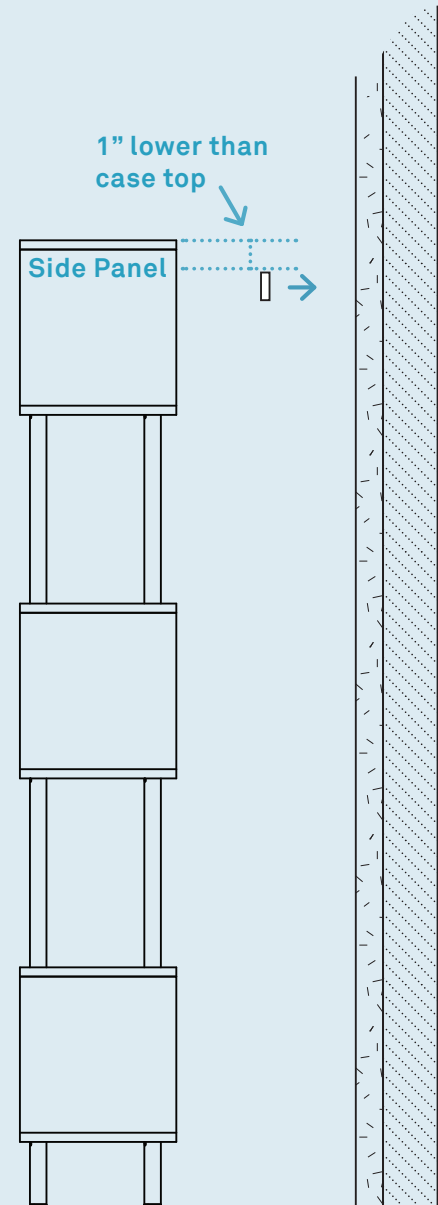
PT. 8036 x 2\*



PT. 8041 x 1



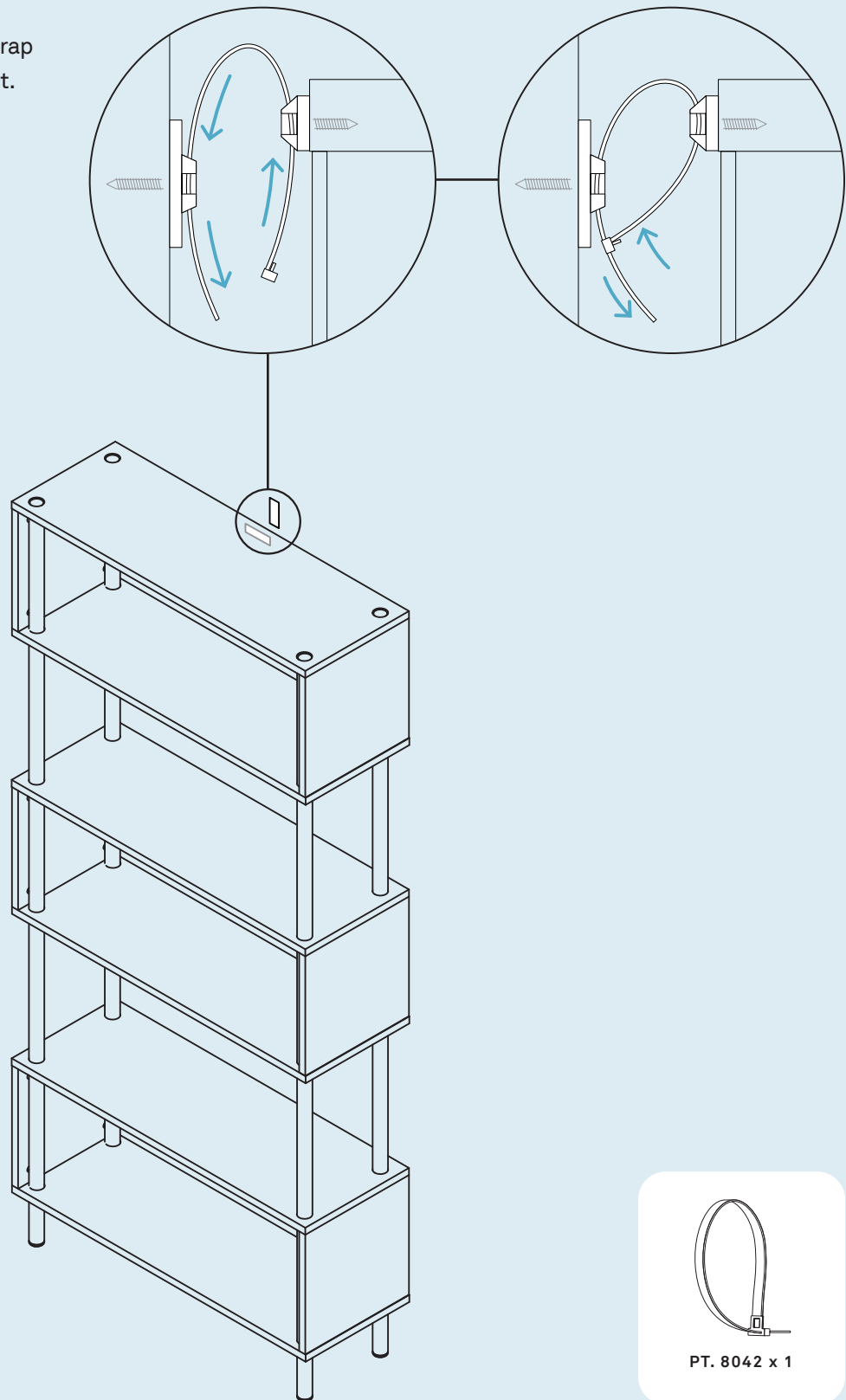
PT. 1218 x 2



# Step 11

SECURE THE CASE.

Install and tighten the strap prior to using the product.



## Additional Information

### CLEAN

Clean with a slightly damp, soft cloth. To remove dirt and fingerprints, use a quality cleaner formulated for wood furniture. Wipe completely dry with a soft cloth in the direction of the wood grain.

