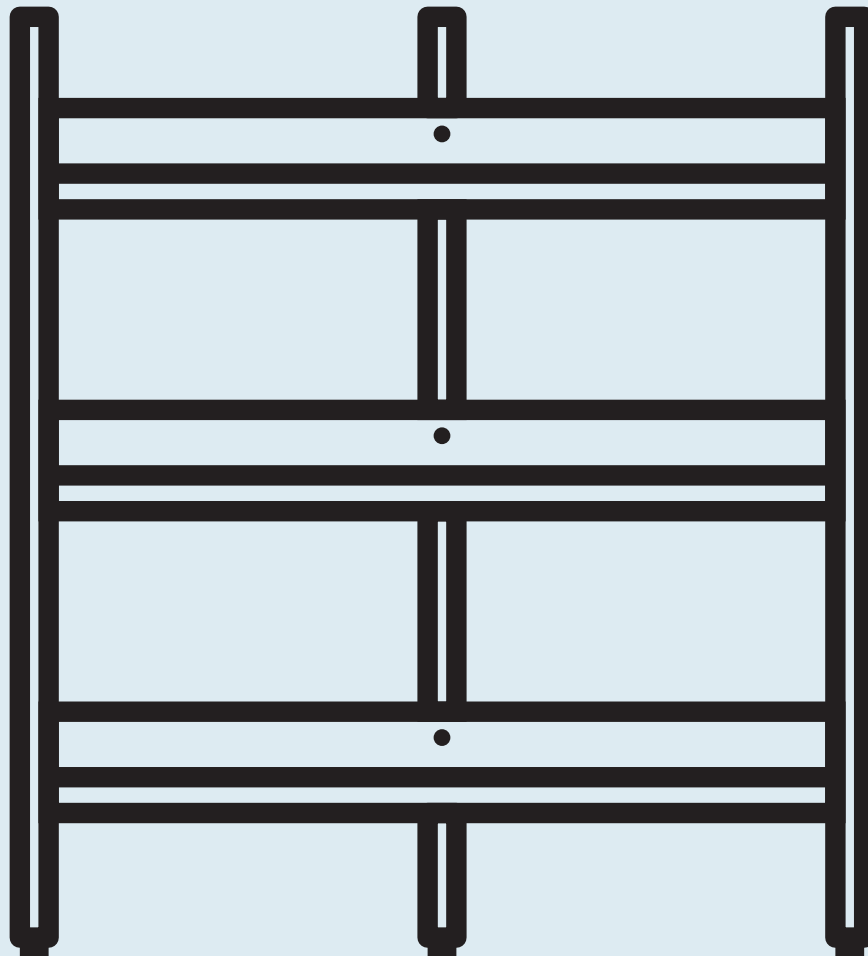


Browser Low Bookcase



DESIGNED IN 2018

ASSEMBLY NOTES | REV 00



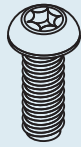
ALL BOOKED UP?

Be your own search engine. Browser is a wall-mounted shelving system designed to be a capable solo unit or added to (endlessly) as needed.

NEED A HAND?

Contact us at service@bludot.com or **844.425.8368** for assistance.

Parts & Hardware



QTY

12

QTY

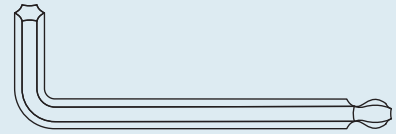
PT. 1682



3

QTY

PT. 1683



1

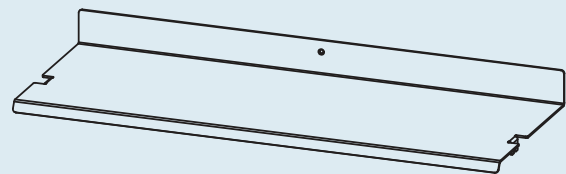
PT. 9016



QTY

1

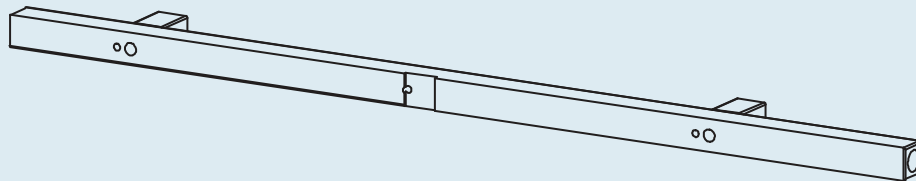
Brace



QTY

3

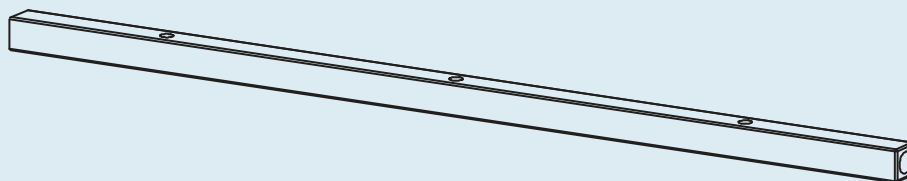
Shelf



QTY

1

Rear Upright



QTY

2

Side Upright

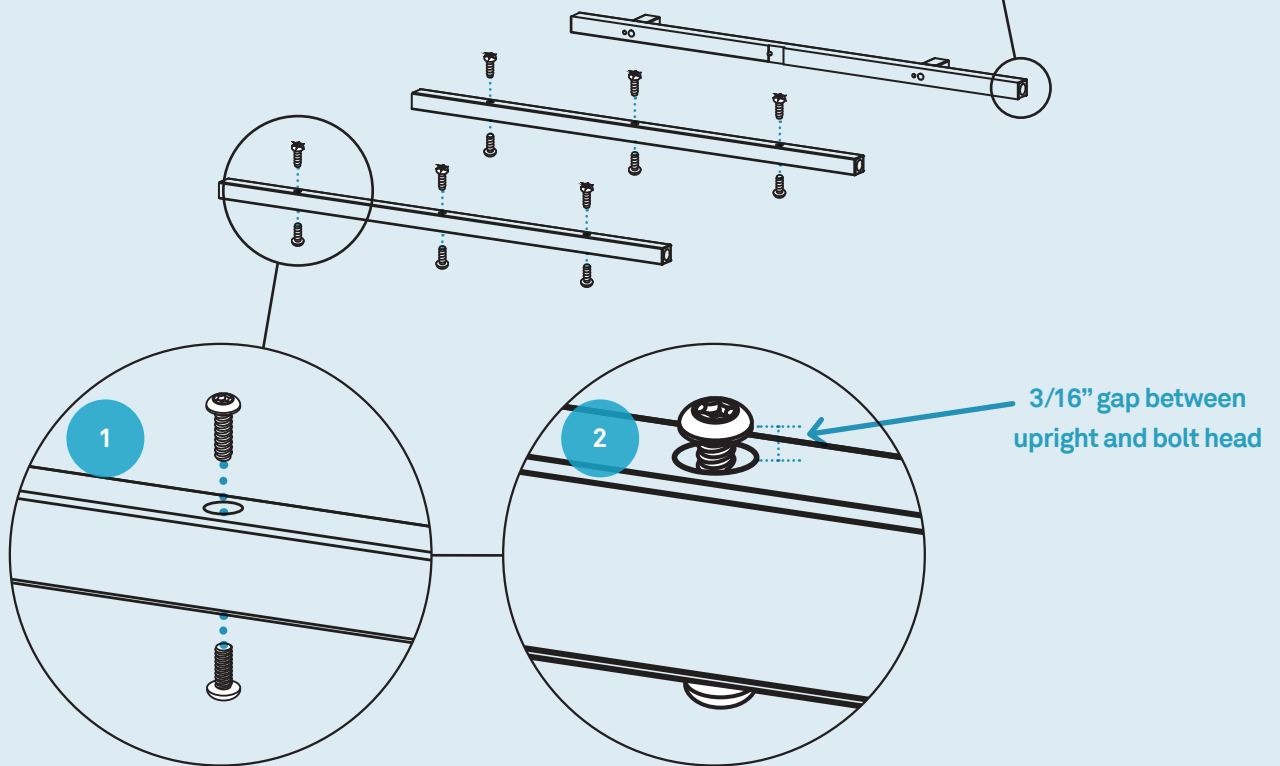
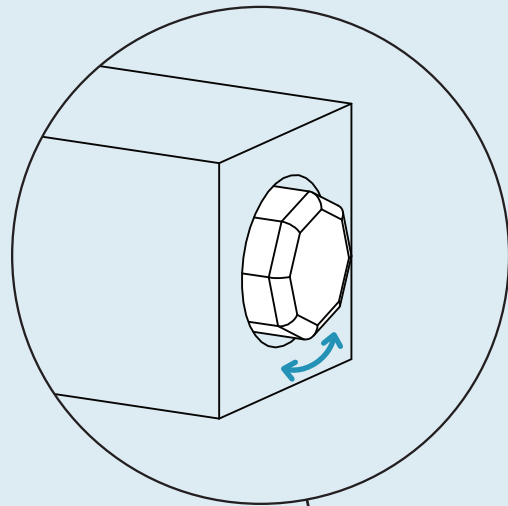
Step 01

PRE-INSTALL BOLTS AND POSITION ADJUSTABLE GLIDES.

Using the provided hardware, pre-attach the bolts to the side uprights, leaving a small gap as shown for shelf attachment on later steps.

The uprights contain floor glides that are recessed into the base and adjustable with a wrench (not included with product). Rotate the glides to a position that reveals enough material so that your wrench will fit.

Do not remove the glides completely.



PT. 1682 x 12



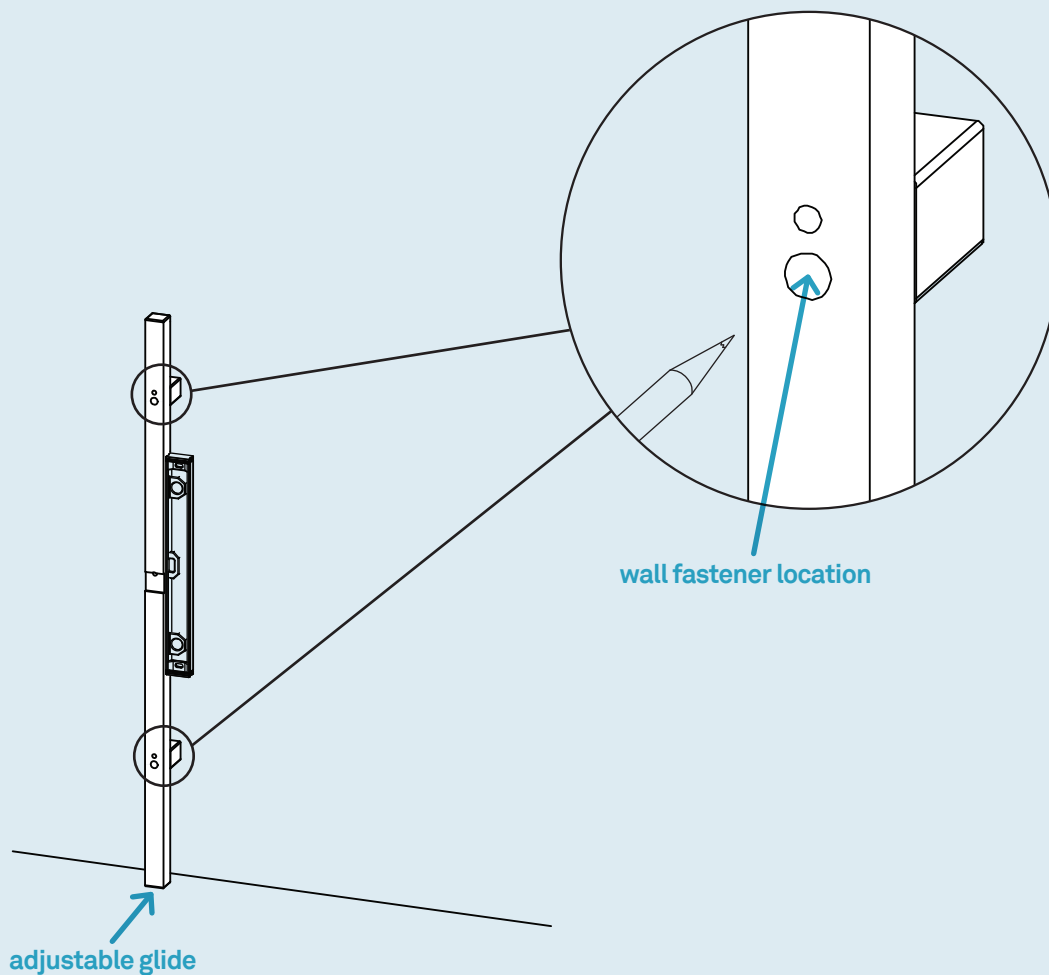
PT. 9016 x 1

Step 02

ATTACH REAR UPRIGHT TO WALL.

Wall fasteners are not provided, please consult your local hardware professional to determine the hardware best suited for your wall type.

Position the rear upright against the wall with the glide facing downwards. Use a leveling device to ensure that the upright is plumb. Mark and drill the wall fastener locations on the wall depending on the hardware being used. Fasten upright to wall.

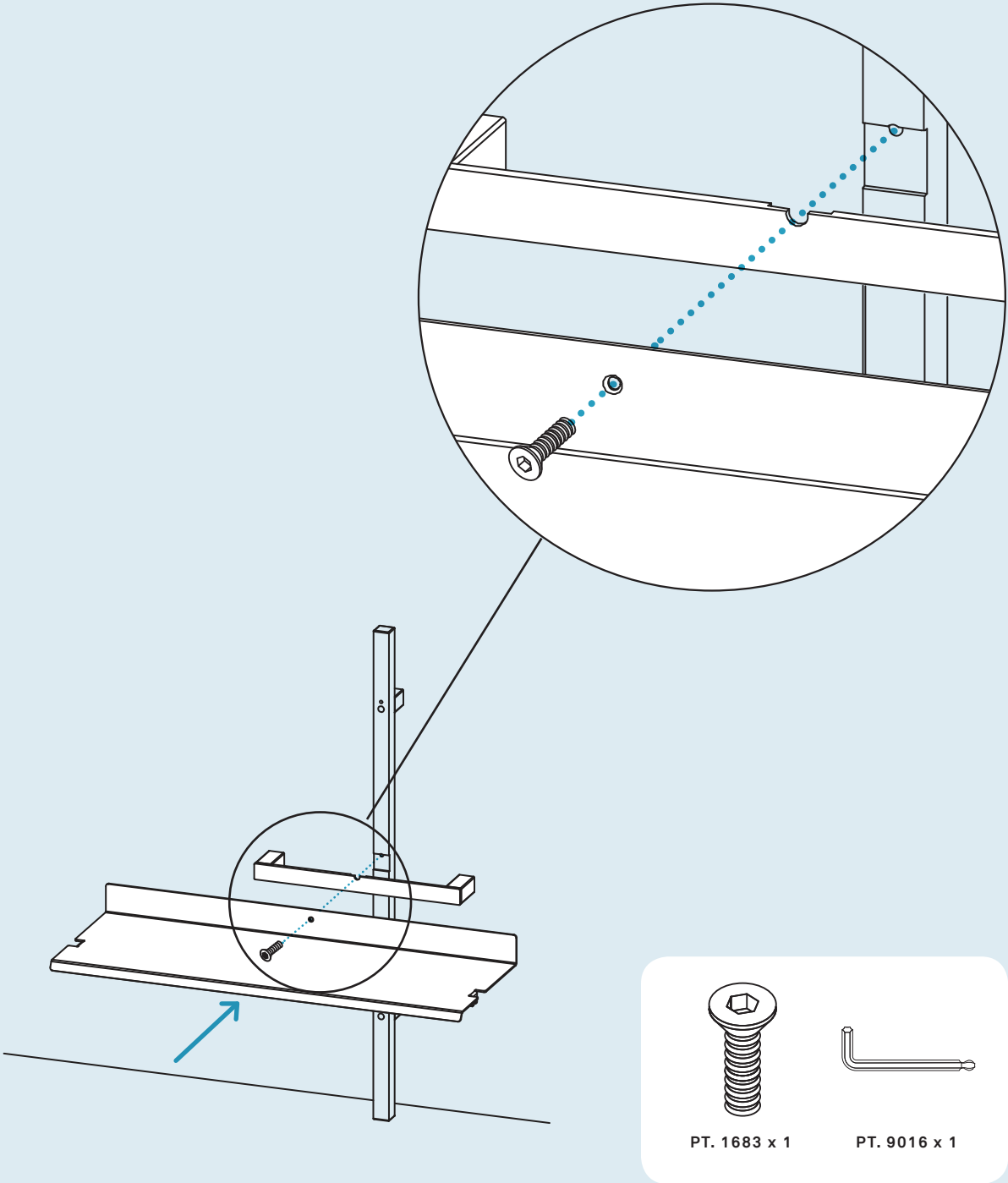


Step 03

ATTACH BRACES AND SHELVES.

Using the provided hardware, attach the braces and shelves to the grooves of the rear upright as shown.

A second person is recommended for holding the parts in place during assembly.

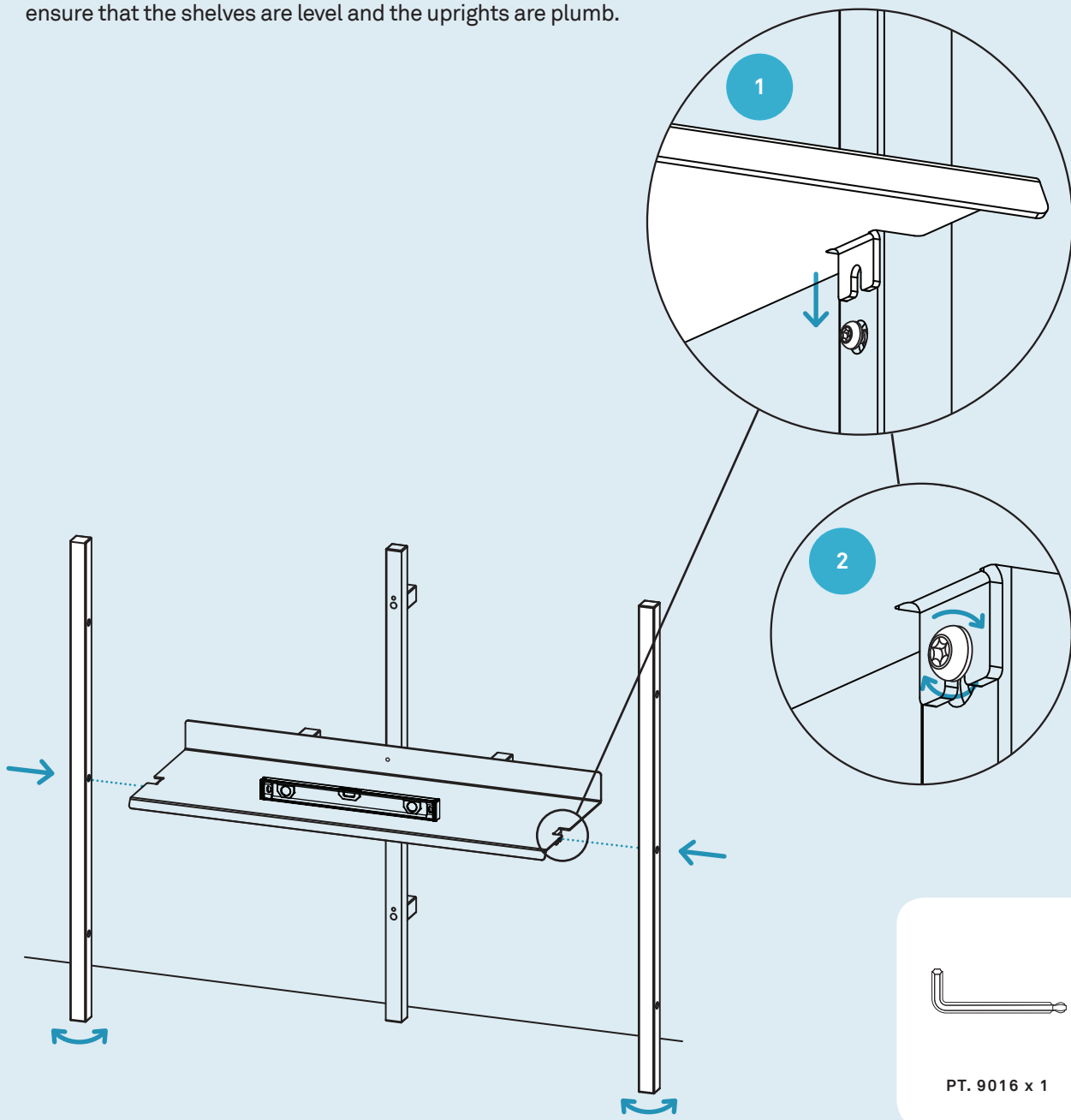


Step 04

ATTACH SIDE UPRIGHTS.

Install the side uprights in the locations shown by pivoting the shelf tabs to align with the pre-installed hardware. Ensure that the end with the floor glides is facing downwards. Secure the connection by tightening the hardware, holding the shelf in place so that it remains seated on the screw.

Using a leveling device, adjust the glides on the uprights to ensure that the shelves are level and the uprights are plumb.



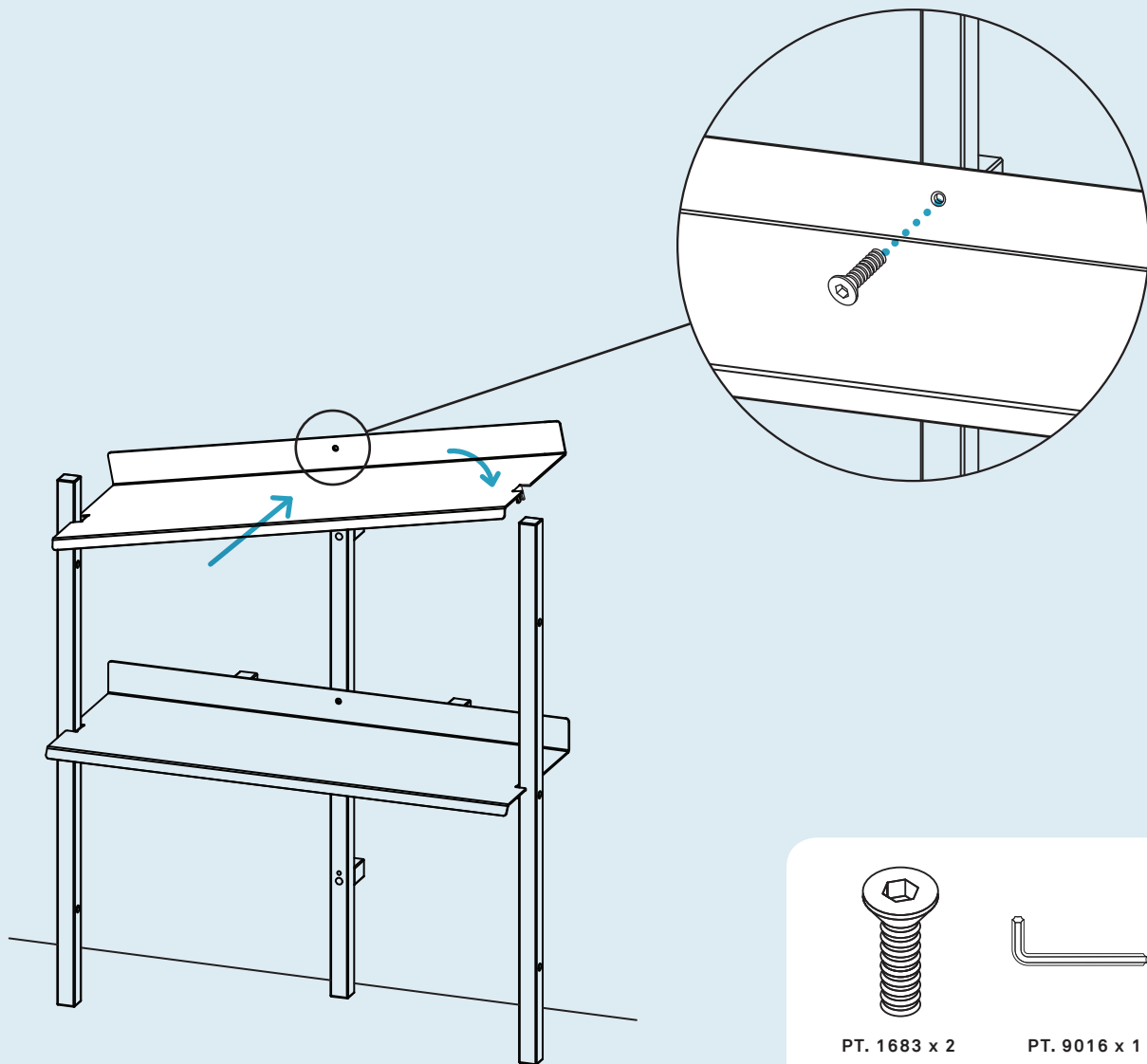
Step 05

ATTACH REMAINING SHELVES.

Rotate the remaining shelves to position them between the side uprights, then pivot and lower them to align with the pre-installed hardware.

Secure the shelves to the back uprights using the provided hardware as shown, then tighten the side upright bolts as shown in the previous step.

Repeat for all remaining shelves.

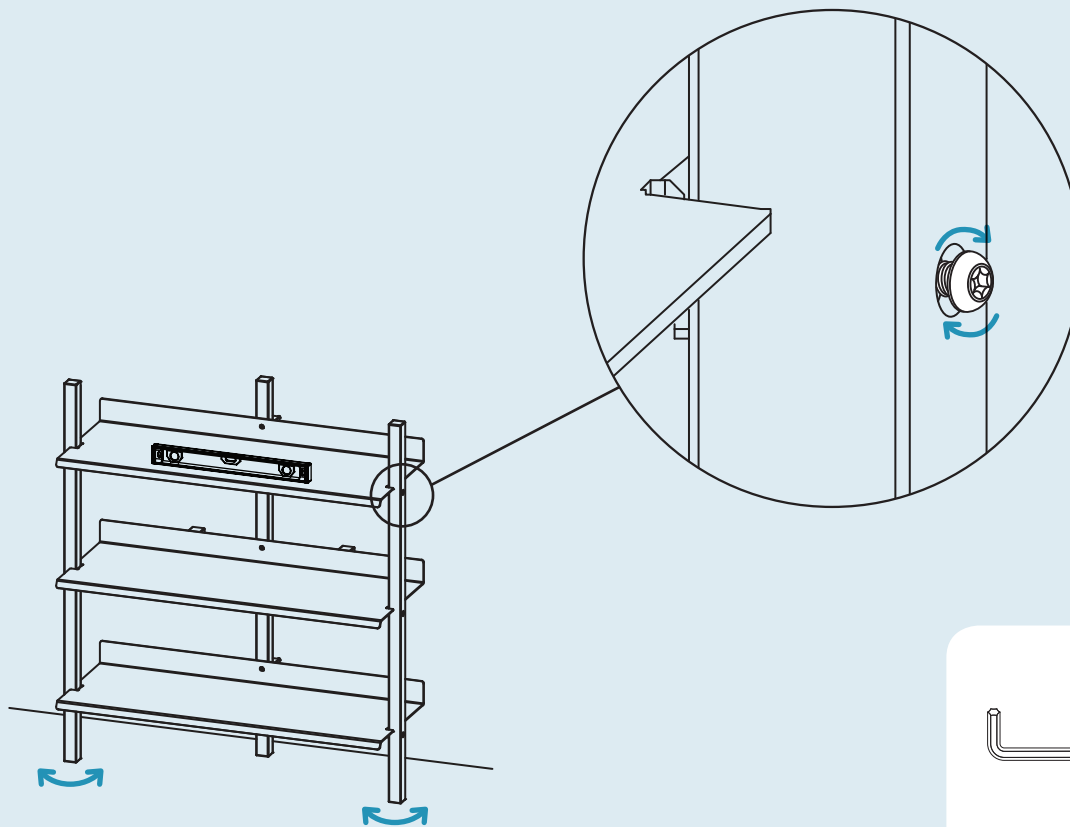


Step 06

ADJUST GLIDES AND TIGHTEN REMAINING BOLTS.

Use a leveling device and adjust the glides on the uprights to ensure that the shelves are level and the uprights are plumb.

Tighten the remaining pre-installed bolts on the exterior of the side uprights as shown.



PT. 9016 x 1

Additional Information

CLEAN

Clean with a slightly damp, soft cloth. To remove dirt and fingerprints, use quality cleaners formulated for wood and metal furniture. Wipe completely dry with a soft cloth in the direction of the wood grain.

