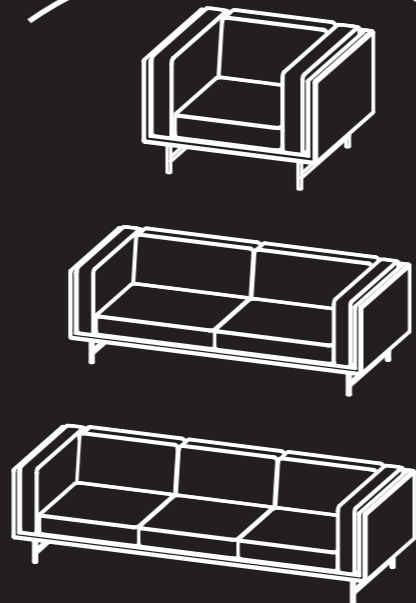
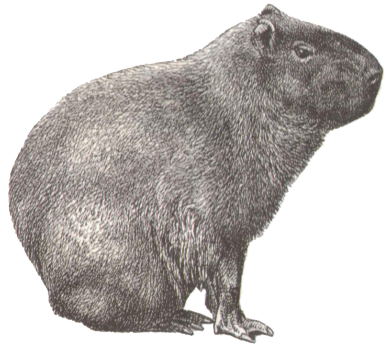


BLU
DOT

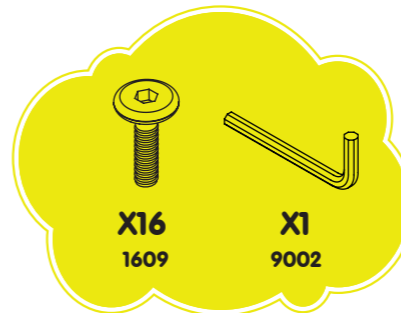
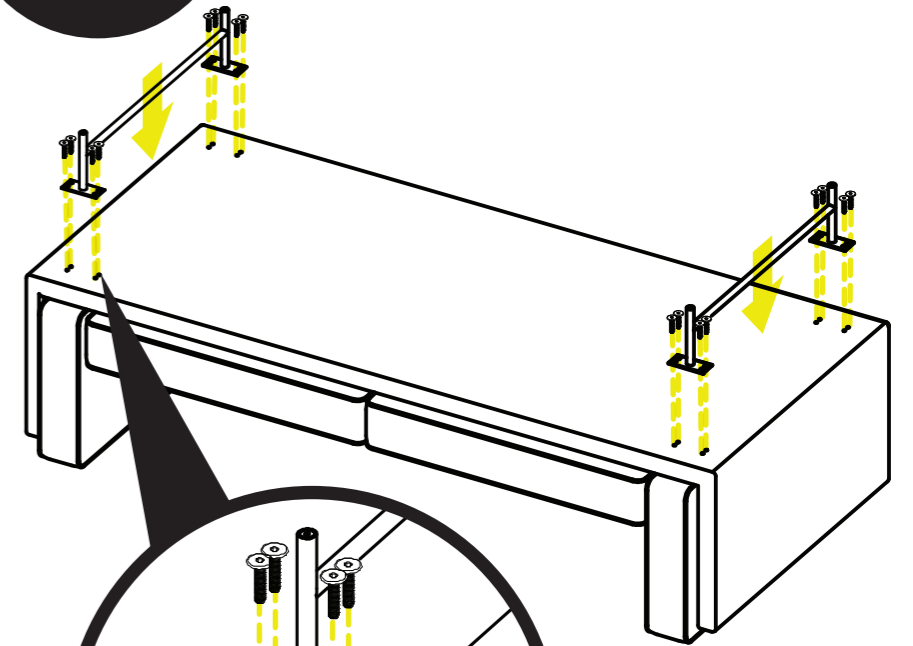
SO EASY AND SO
COMFY.

BANK

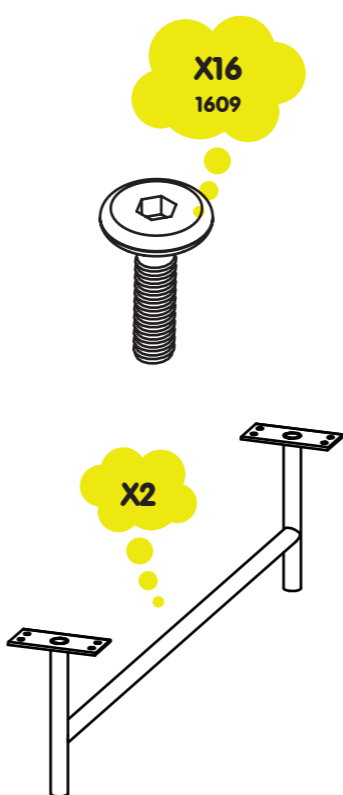
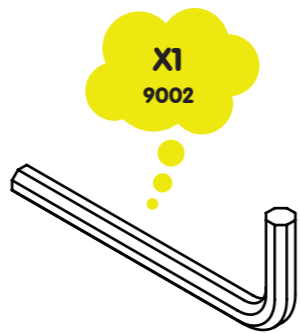
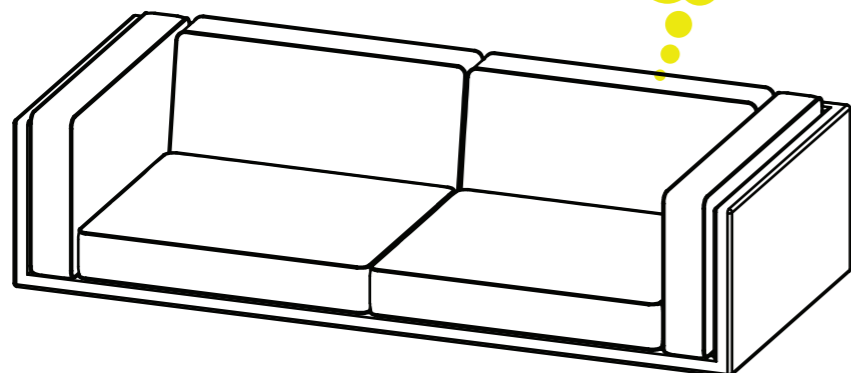
ASSEMBLY INSTRUCTIONS



1
locate threaded
inserts on the
bottom of sofa
and attach legs
using bolts.



PARTS & HARDWARE



CLEAN

Vacuum your
upholstery
regularly.

AVOID

Keep upholstery out of direct sunlight and away from heat sources; excessive exposure to sunlight will fade the color of the upholstery. Avoid placing heavy or sharp objects on the furniture surface for long periods of time; this can cause permanent indentations in the fabric. For snags in the fabric, tuck loose threads into fabric or carefully push to reverse side. Never pull out or cut off loose threads.

SPILLS

Act quickly with spills. Absorb the spill with a clean white cloth or paper towel. Never rub the surface. Spot clean with dry cleaning fluid. Do not use water or other liquids to clean, as they may stain the fabric. Consult a commercial cleaning specialist for removal of stubborn stains.

