

2D:3D Wall Magazine Rack



DESIGNED IN 2006

ASSEMBLY NOTES | REV 00



NEED A HAND?

Contact us at service@bludot.com or **844.425.8368** for assistance.

@BLUDOT

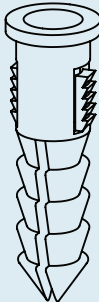
We design all our pieces in our Minneapolis studio. Follow along on Instagram for some sneak peeks into the process.

Parts & Hardware



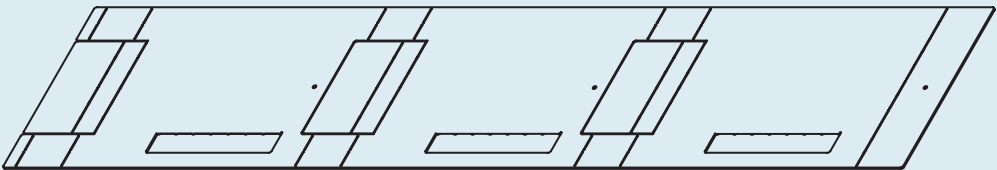
QTY 3

Pt. 1402



QTY 3

Pt. 8054



QTY 1

Magazine Rack

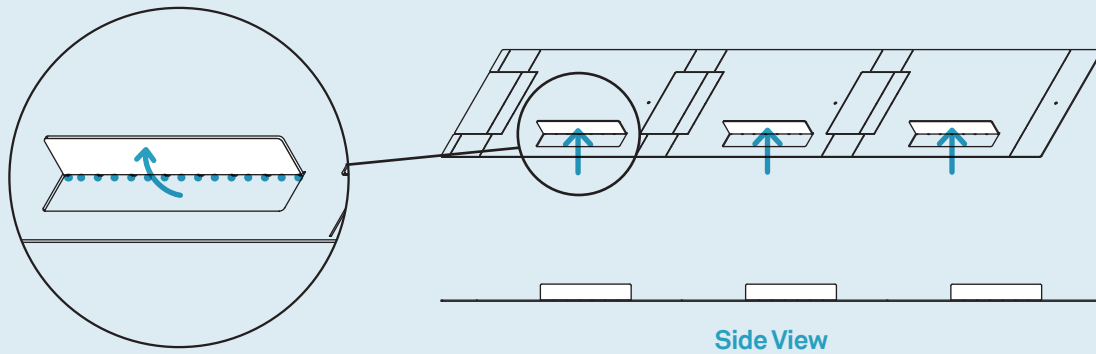
NOTE: Save the cardboard carton for assembly Step 11

Step 01

BEND FLAPS UP.

Assemble on a soft, clean surface.

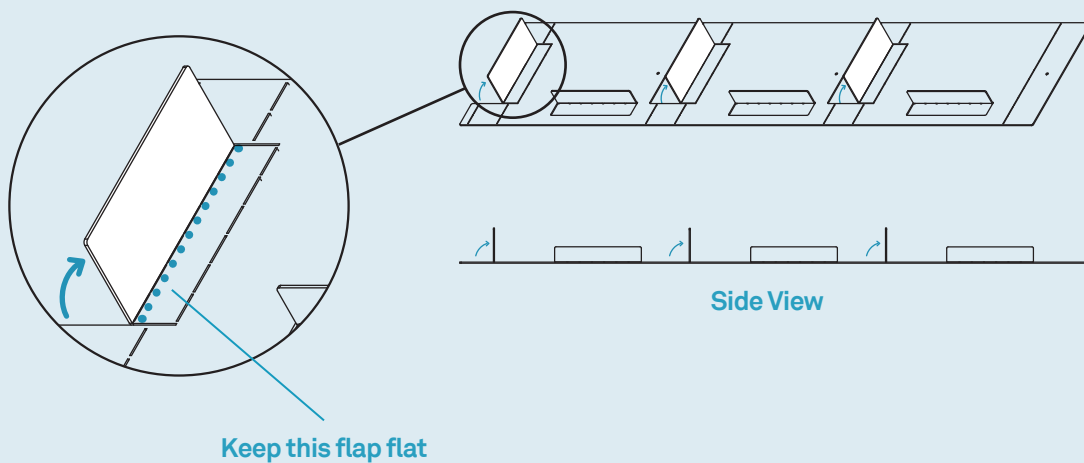
Bend flaps up 90 degrees as shown.



Step 02

BEND FLAPS UP.

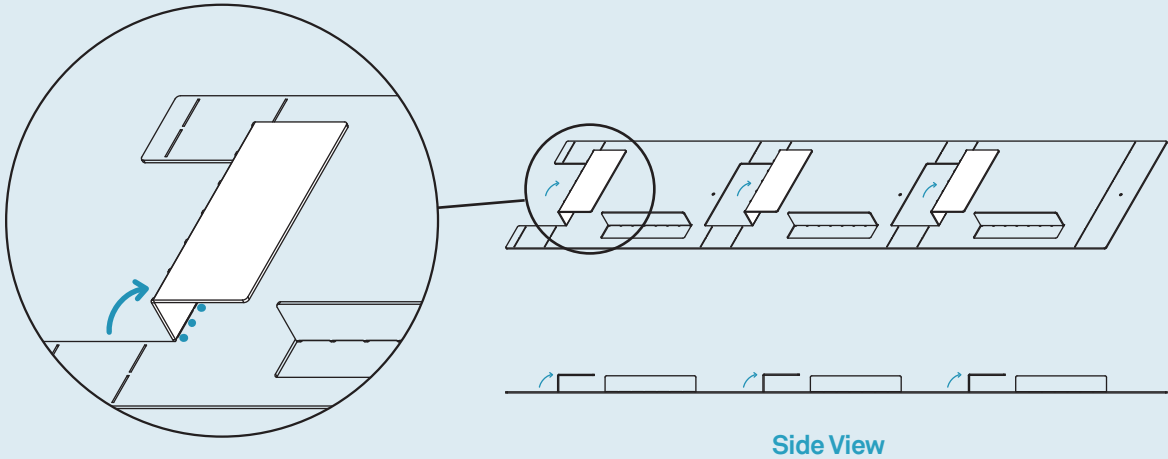
Bend flaps up 90 degrees as shown.



Step 03

BEND FLAPS UP.

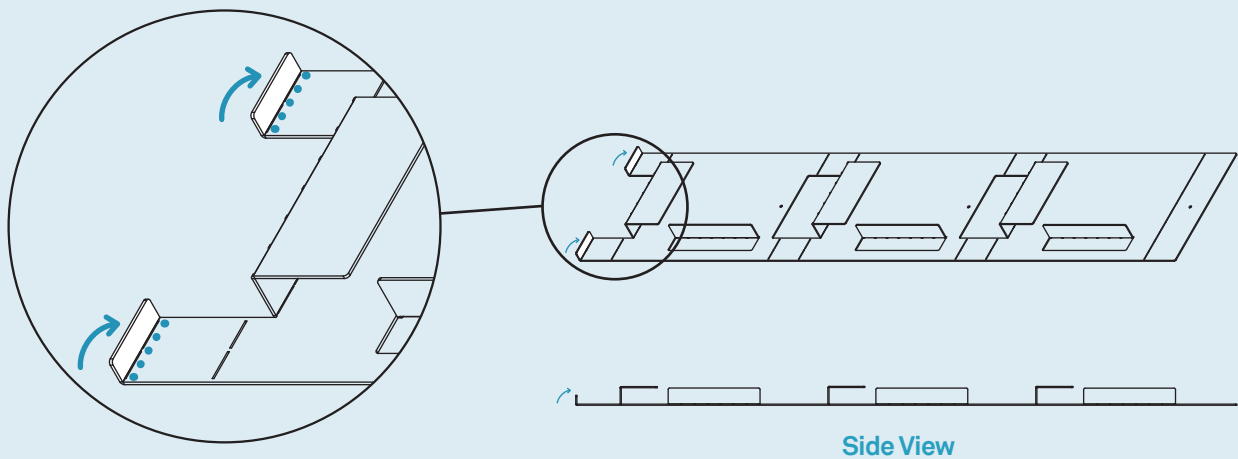
Bend flaps up 90 degrees as shown.



Step 04

BEND FLAPS UP.

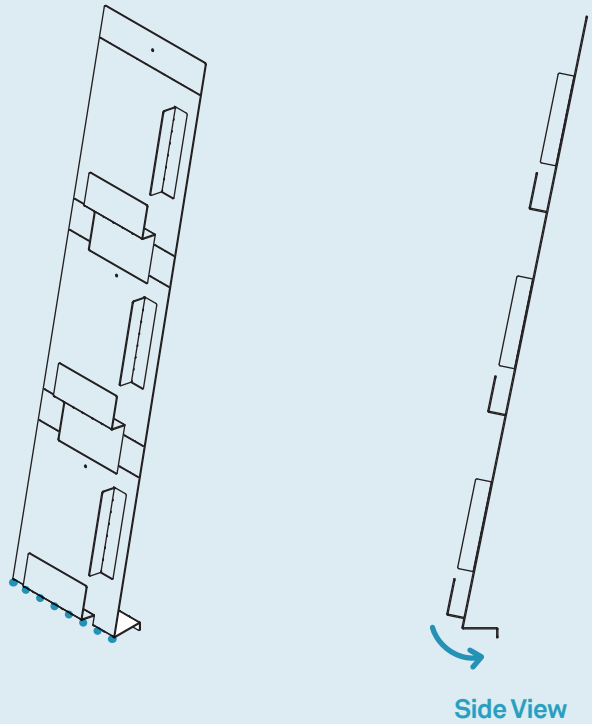
Bend flaps up 90 degrees as shown.



Step 05

BEND BASE BACK.

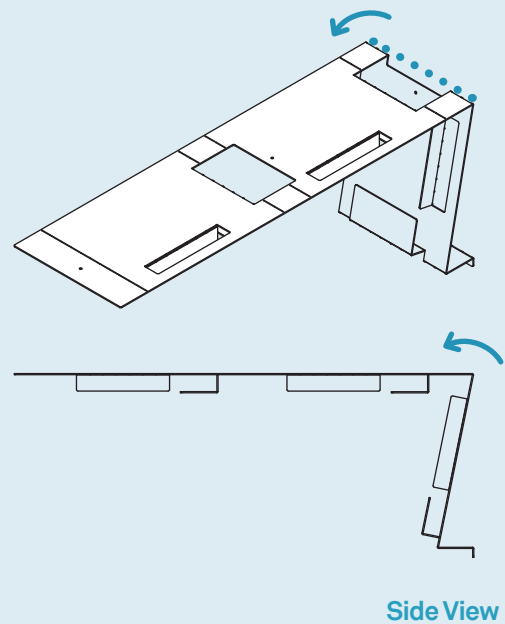
Bend along lower dotted line as shown.



Step 06

BEND ZIG ZAG.

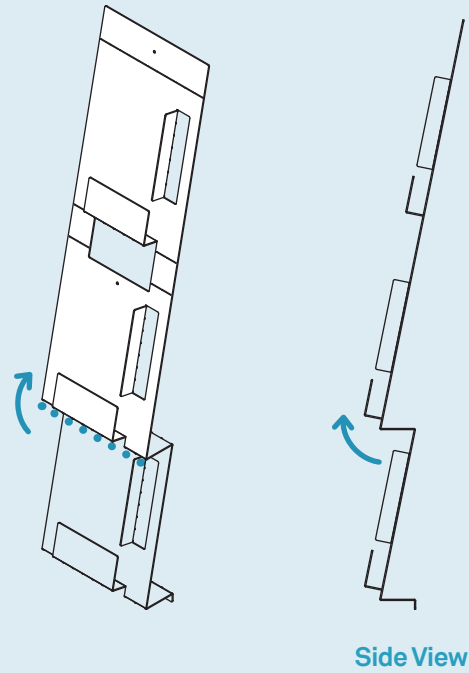
Bend flaps as shown to create the zig zag shape in the magazine rack.



Step 07

BEND ZIG ZAG.

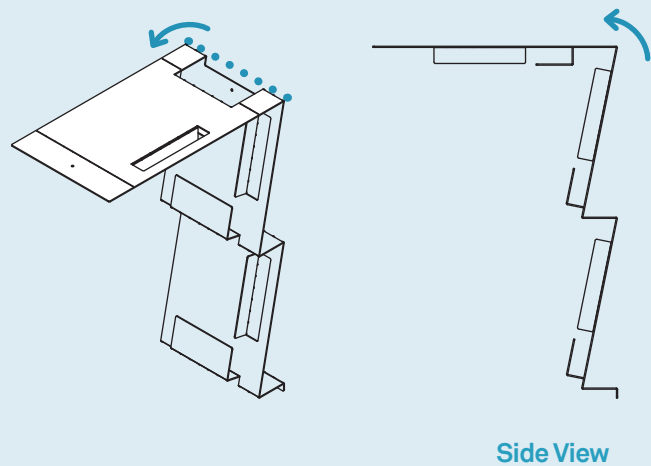
Bend flaps as shown to create the zig zag shape in the magazine rack.



Step 08

BEND ZIG ZAG.

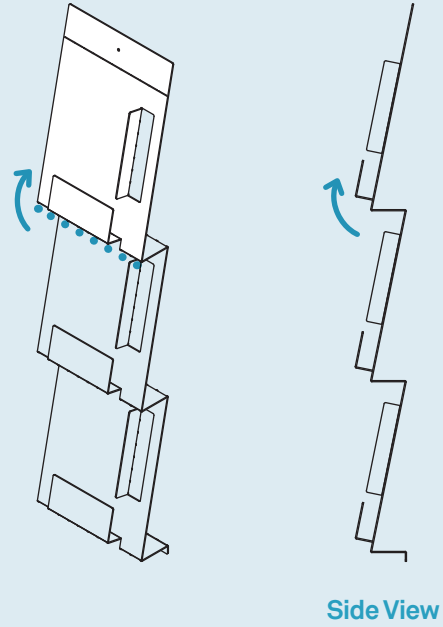
Bend flaps as shown to create the zig zag shape in the magazine rack.



Step 09

BEND ZIG ZAG.

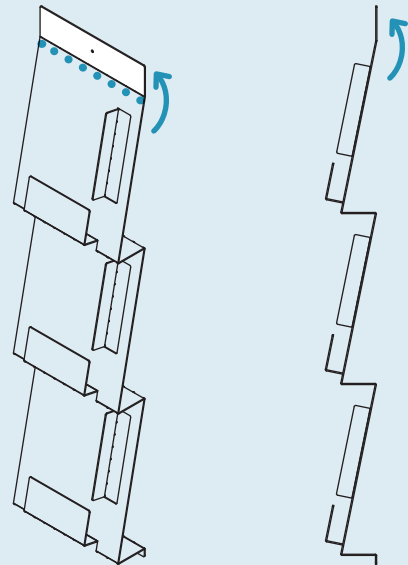
Bend flaps as shown to create the zig zag shape in the magazine rack.



Step 10

REMAINING FLAP.

Bend last flap as shown to create the zig zag shape in the magazine rack.



Step 11

INSTALL WALL ANCHORS.

Wall anchors and fasteners are included for installation into drywall. Please consult your local hardware professional to determine the hardware best suited for your wall type.

Position the magazine rack where you'd like it to be and mark the top screw hole with a pencil.

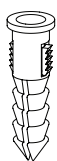
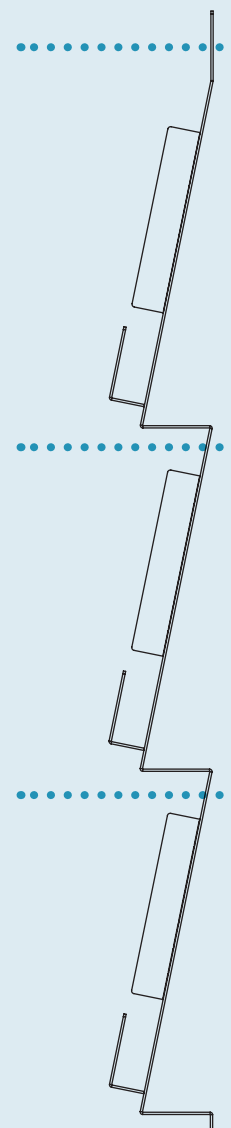
The cardboard carton has three holes to be used as a hole template. Line up the top hole in the carton with the marked hole and mark the other two locations below it.

If the mounting locations are not positioned on a stud, drill $\frac{1}{4}$ " holes in the marked locations and insert wall anchors.

If the mounting locations are positioned on a stud, this step of installing wall anchors may be skipped. Instead, drill $\frac{1}{8}$ " pilot holes in the marked locations.

Place the magazine rack over the hole locations and insert screws. Tighten until snug.

Note: Only tighten middle and lower screws until the screw head is snug to the metal surface. Over tightening these screws may cause the metal to bend.



PT. 8054 x 3*



PT. 1402 x 3

Additional Information

CLEAN

Clean with a slightly damp, soft cloth. To remove dirt and fingerprints, use a quality cleaner formulated for metal furniture. Wipe completely dry with a soft cloth.

