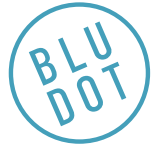


2D:3D In/Out Box



DESIGNED IN 2006

ASSEMBLY NOTES | REV 00



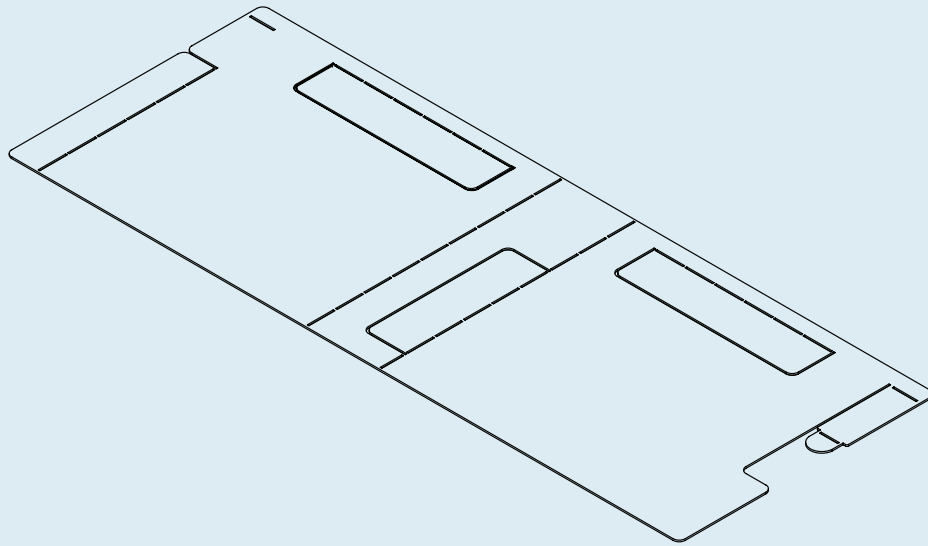
NEED A HAND?

Contact us at service@bludot.com or
844.425.8368 for assistance.

@BLUDOT

We design all our pieces in our Minneapolis studio. Follow
along on Instagram for some sneak peeks into the process.

Parts & Hardware



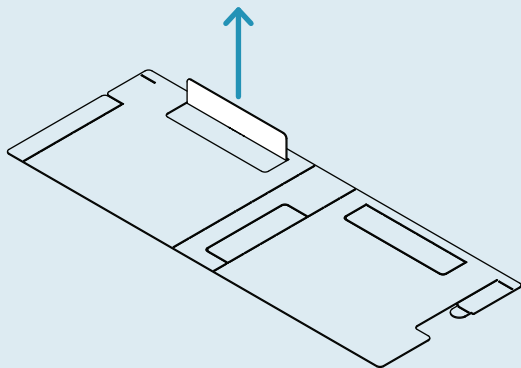
QTY

1

In/Out Box

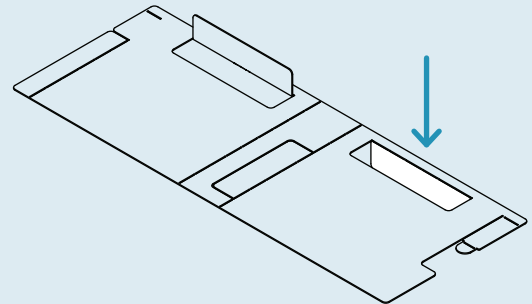
Step 01

BEND UP 90 DEGREES.



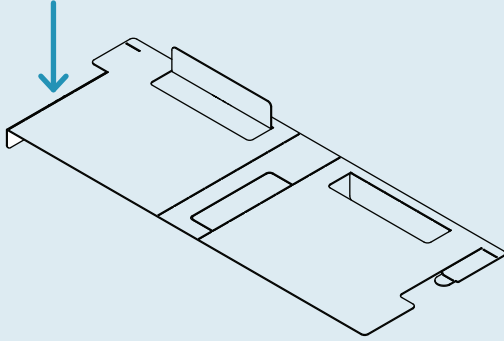
Step 02

BEND DOWN 90 DEGREES.



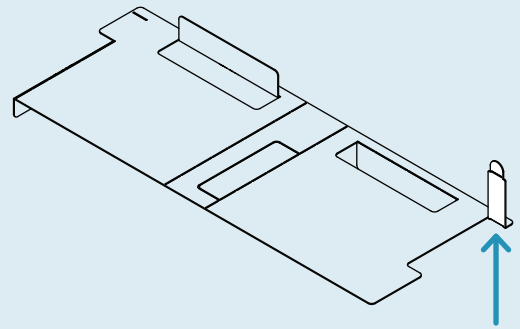
Step 03

BEND DOWN 90 DEGREES.



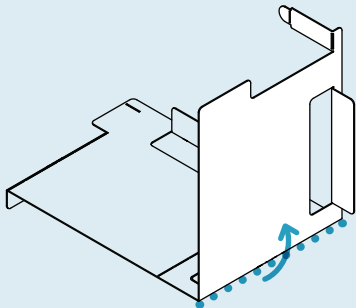
Step 04

BEND UP 90 DEGREES.



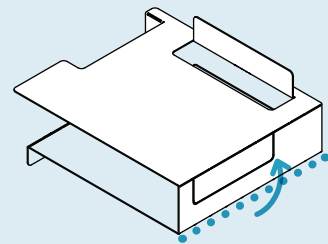
Step 05

BEND UP 90 DEGREES.



Step 06

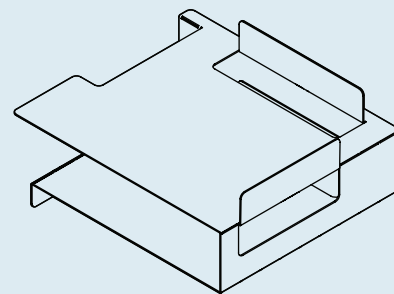
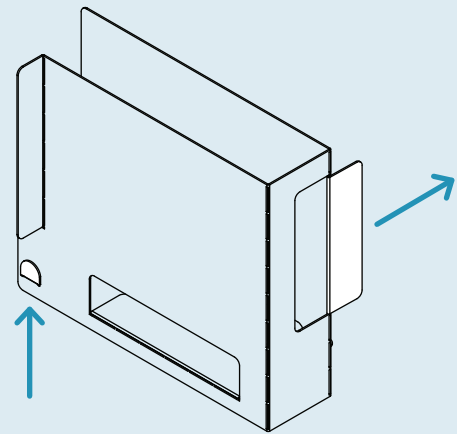
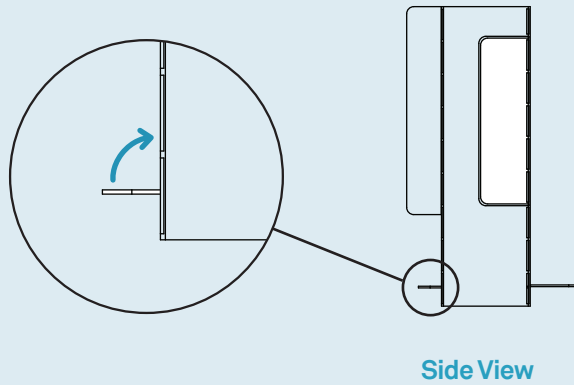
BEND UP 90 DEGREES.



Step 07

BEND REMAINING TABS.

Bend the remaining tabs as shown to complete assembly.



Completed Assembly

Additional Information

CLEAN

Clean with a soft cloth or sponge using a mild detergent, such as dish soap, and warm water. Wipe completely dry with a soft cloth.

